

# FORD DSP INSTALLATION SHEETS

---

For the following vehicles:

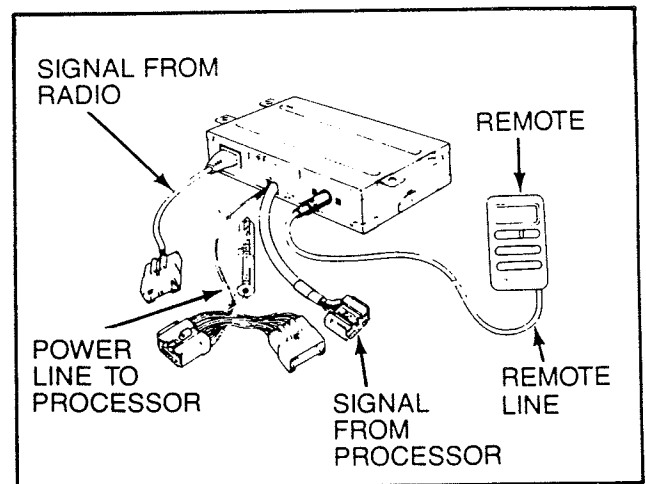
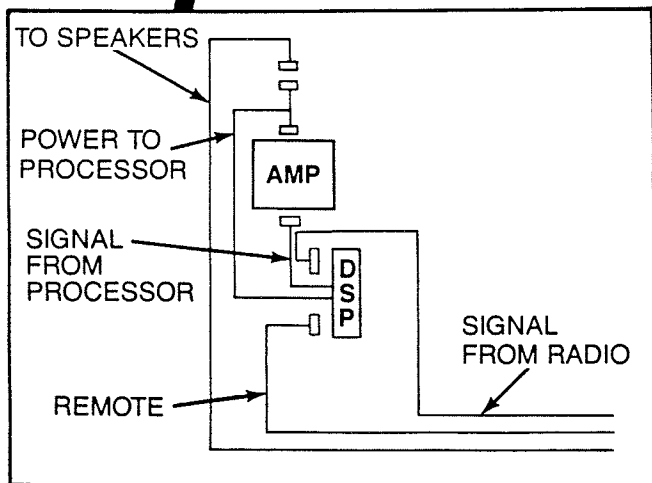
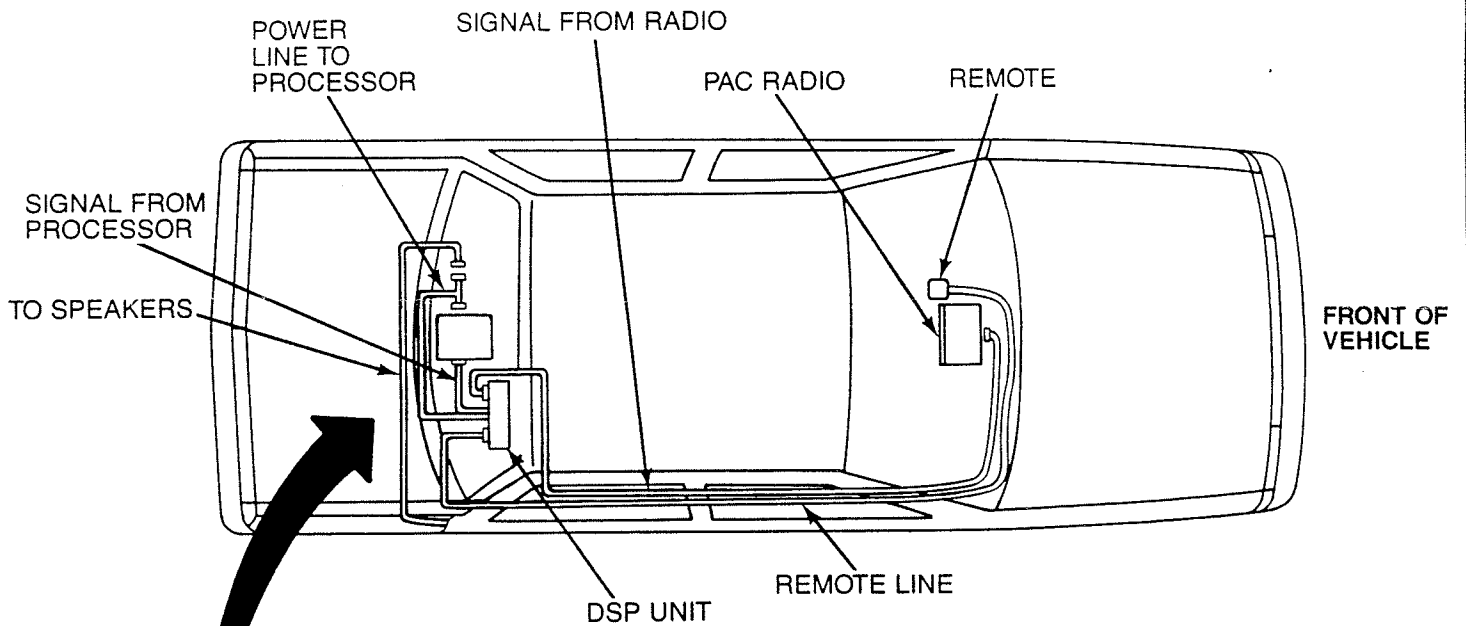
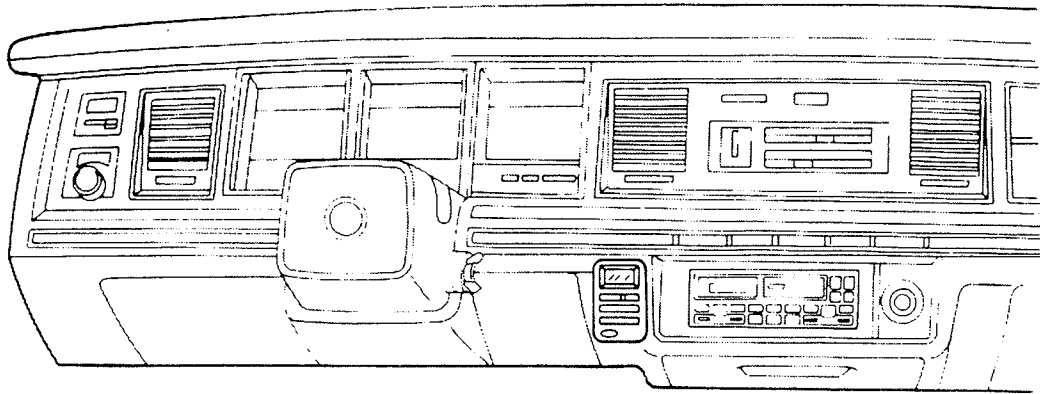
Town Car  
Mark VII  
Continental  
Thunderbird  
Cougar  
Taurus  
Sable  
Explorer



AUDIO SYSTEMS  
The Sound of Quality

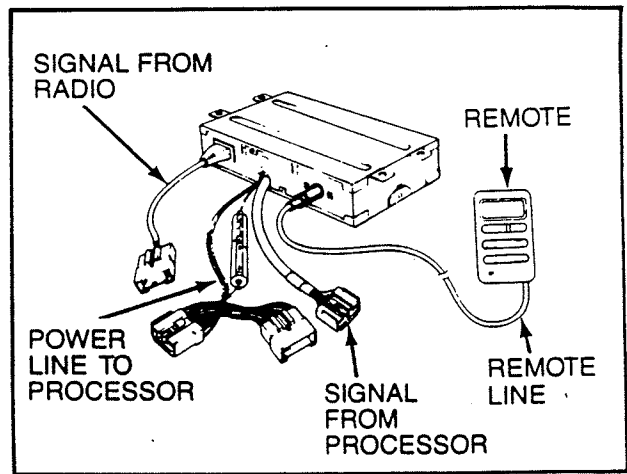
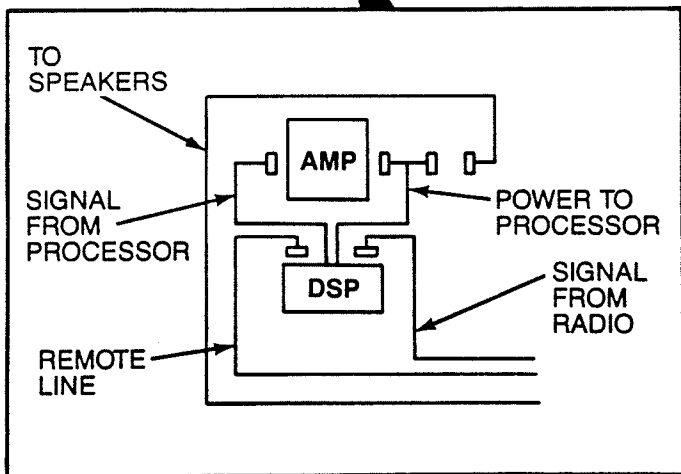
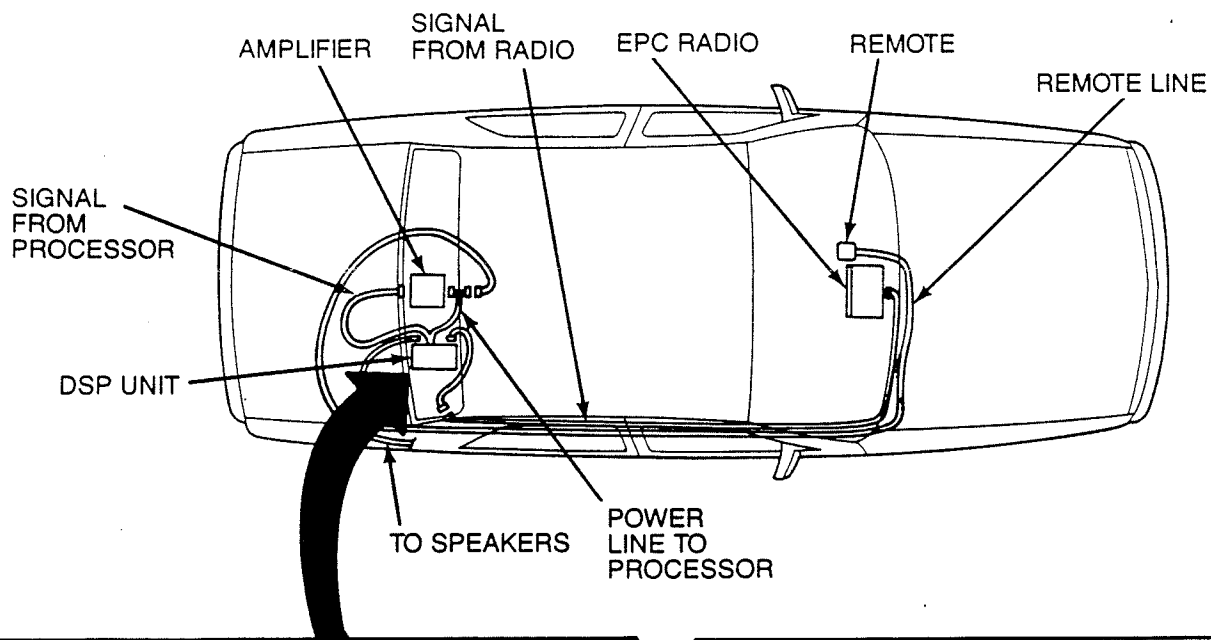
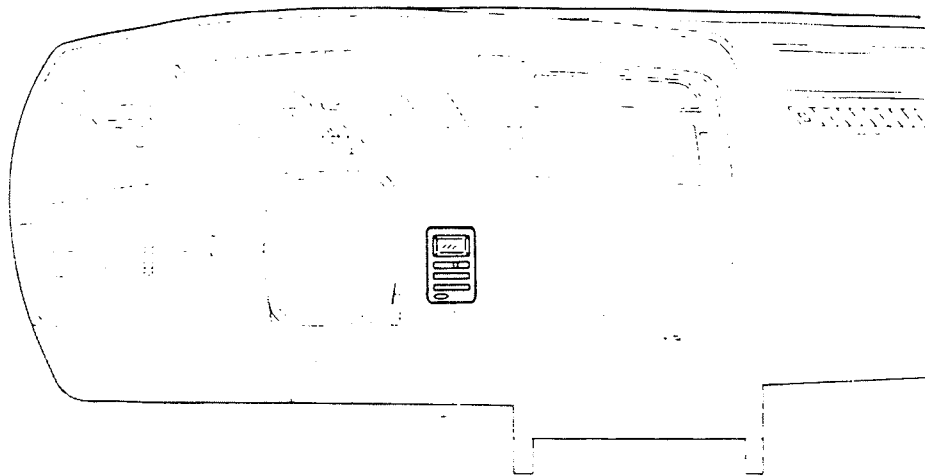
RD-F2L6

# TOWN CAR DSP INSTALLATION



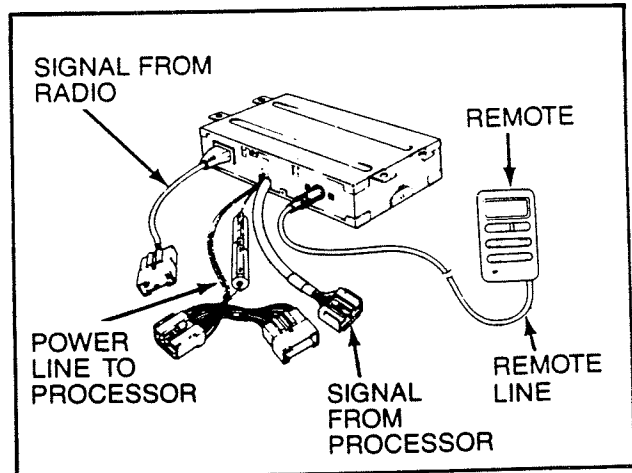
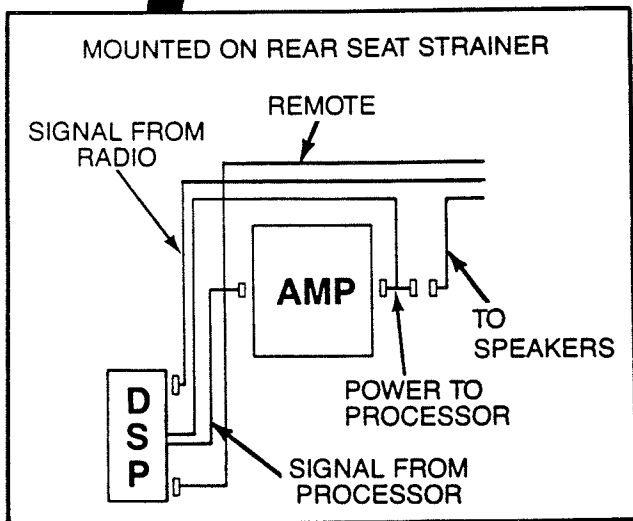
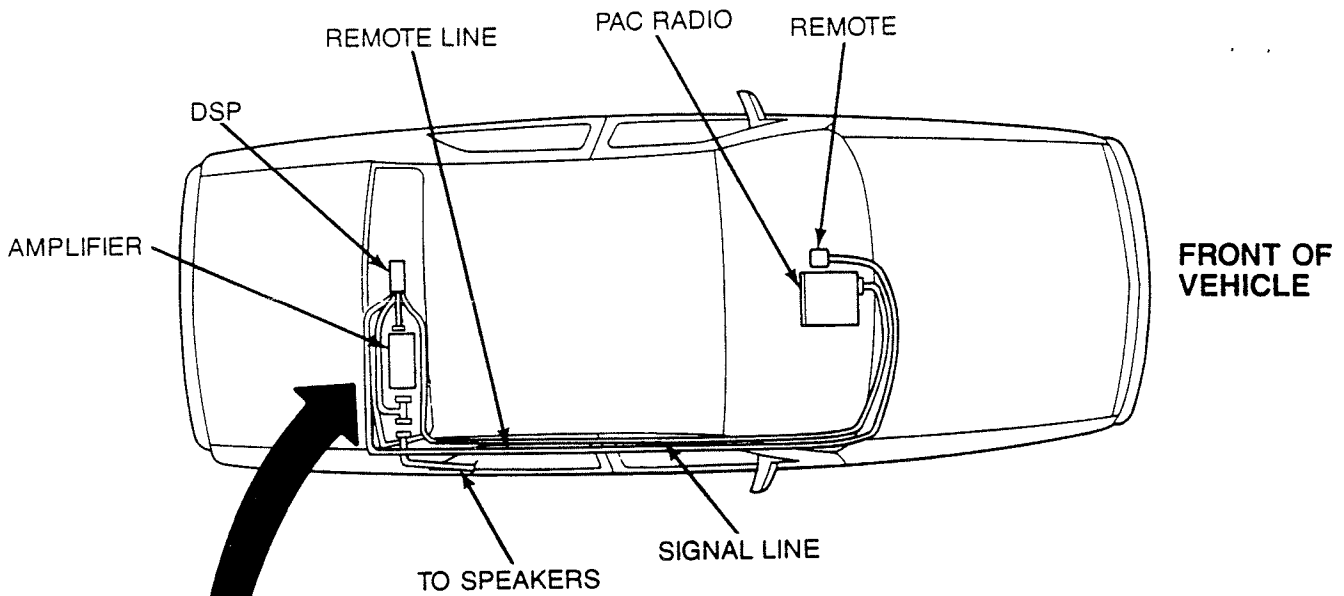
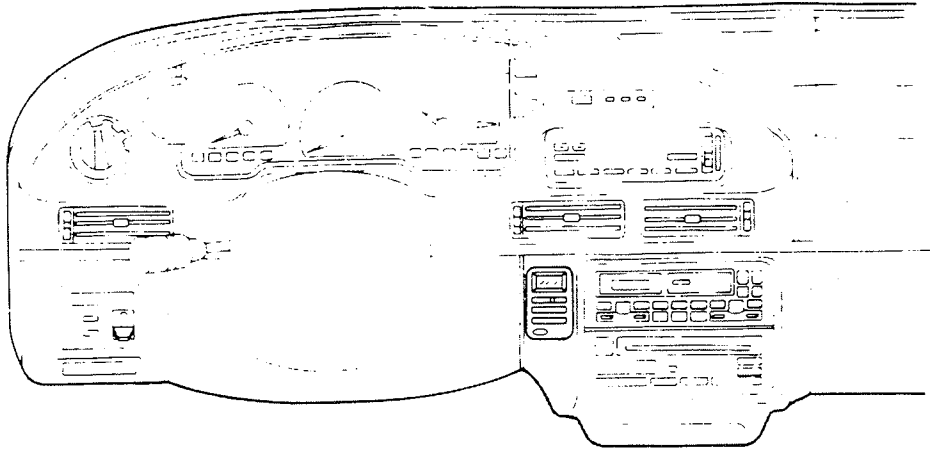
Digital Signal Processing System

# THUNDERBIRD/COUGAR DSP INSTALLATION



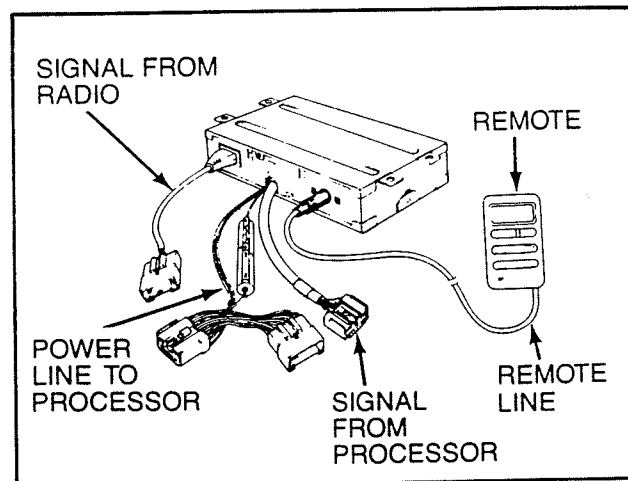
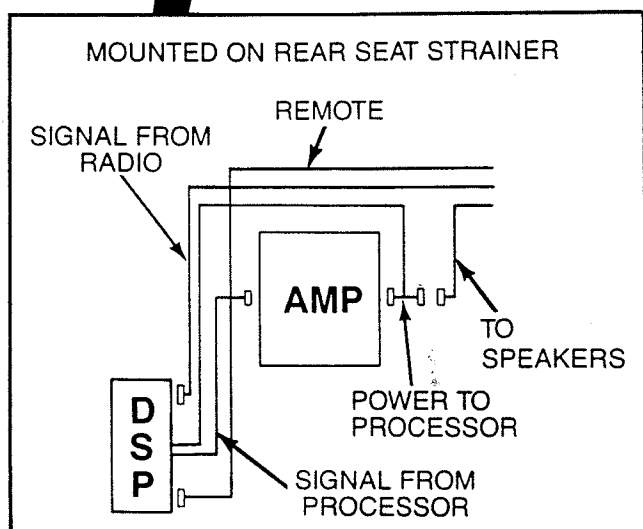
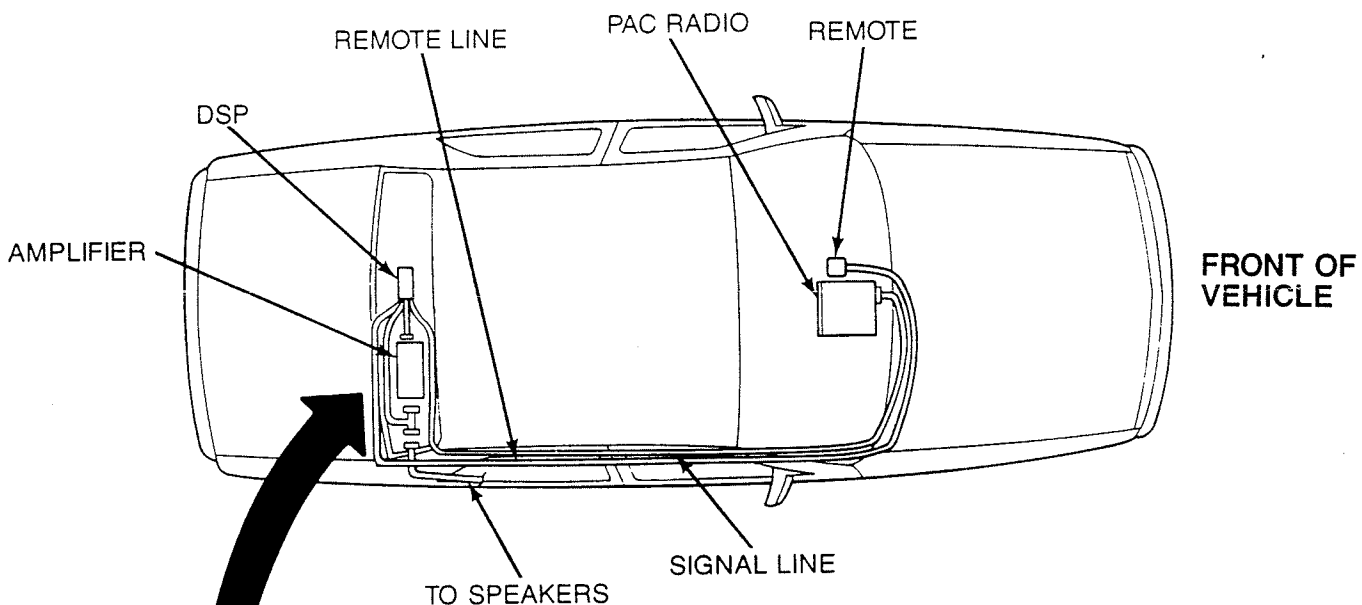
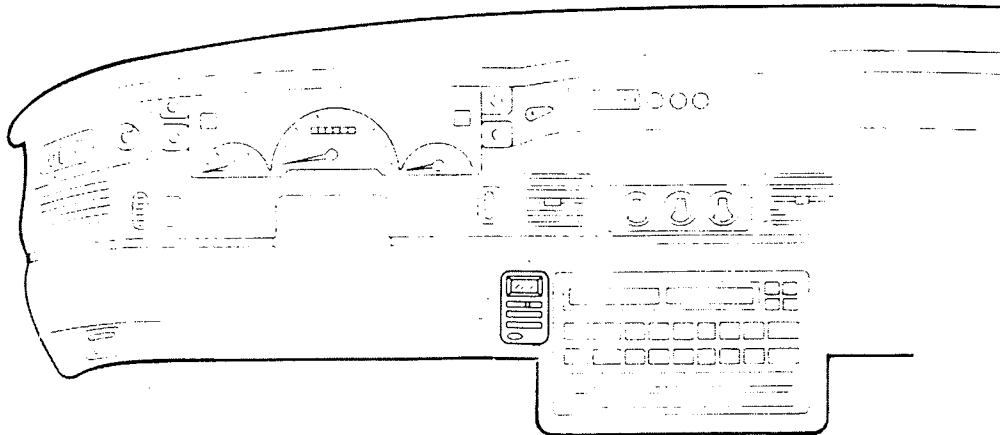
Digital Signal Processing System

# TAURUS DSP INSTALLATION



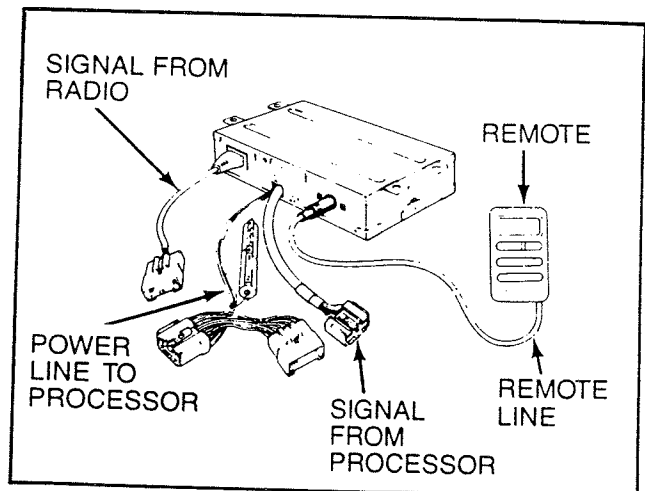
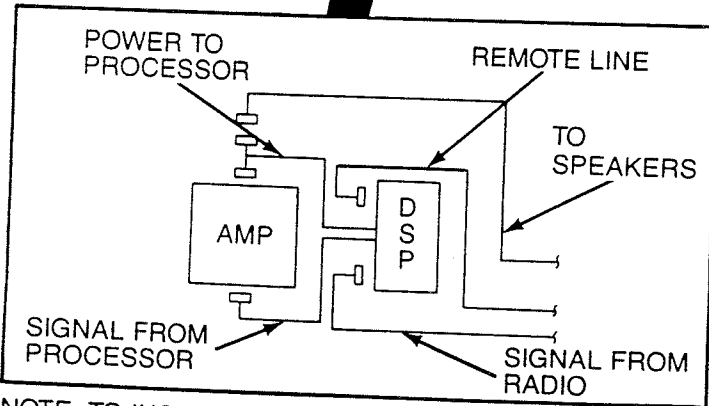
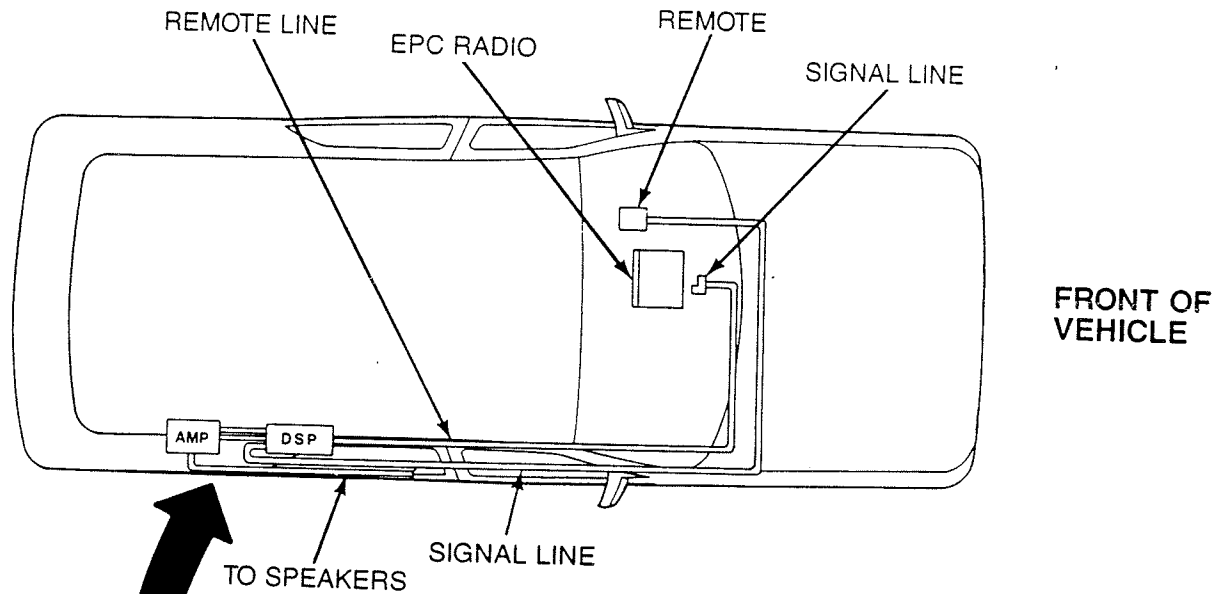
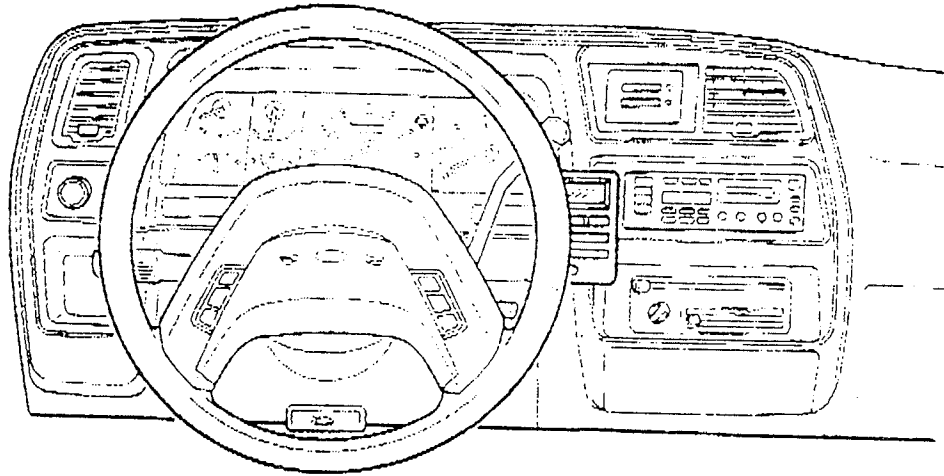
Digital Signal Processing System

# SABLE DSP INSTALLATION



Digital Signal Processing System

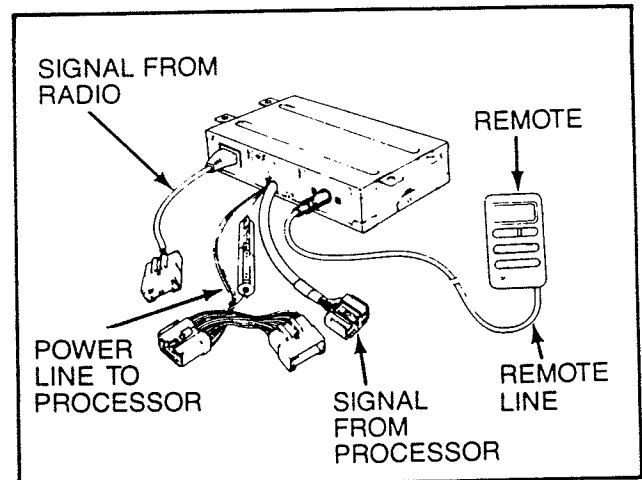
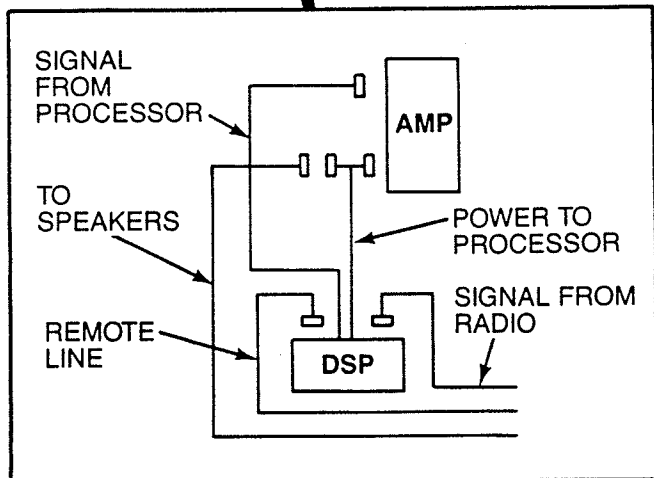
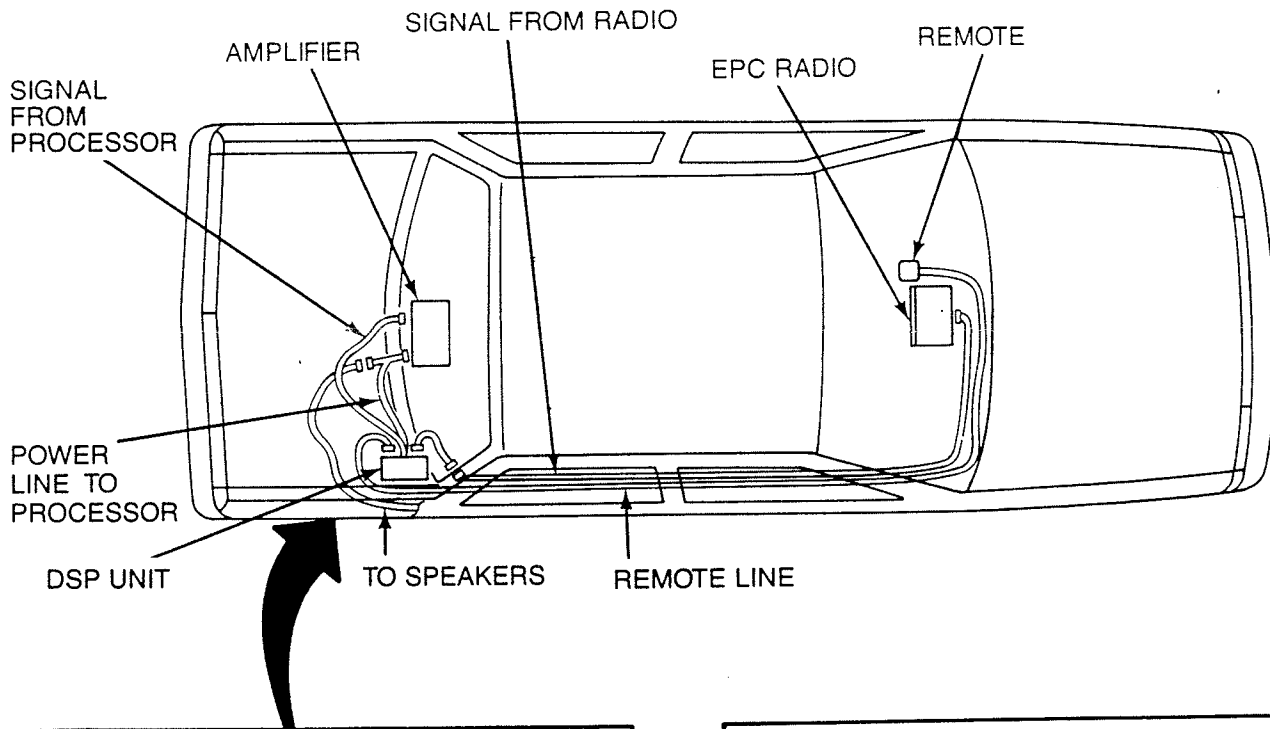
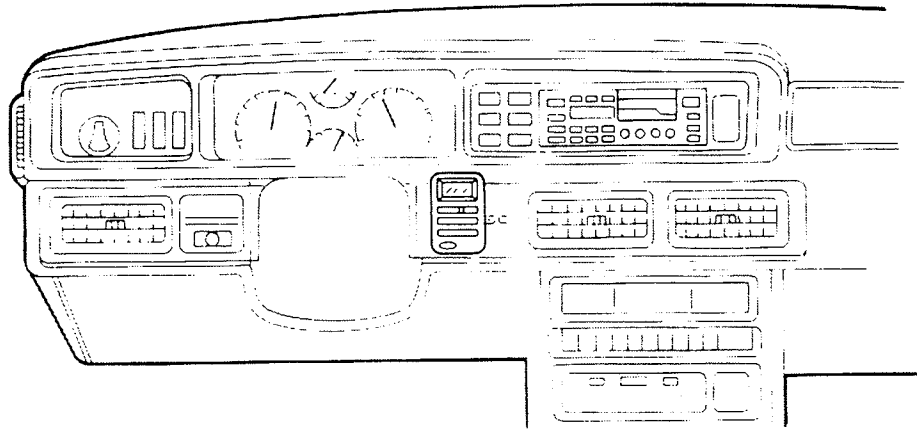
# EXPLORER DSP INSTALLATION



Digital Signal Processing System

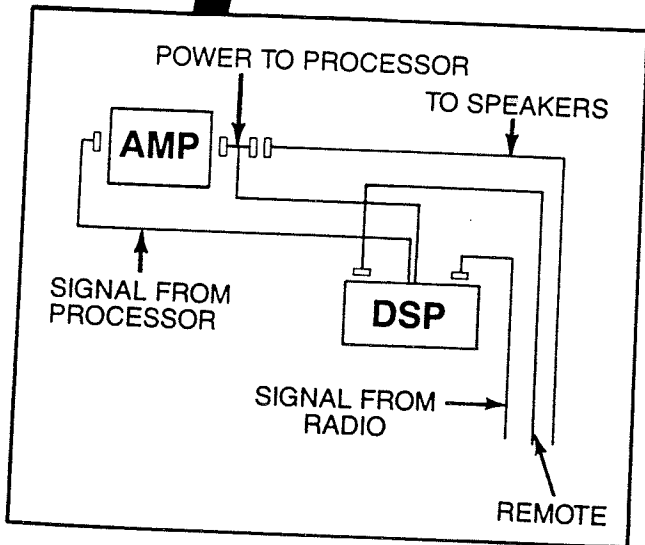
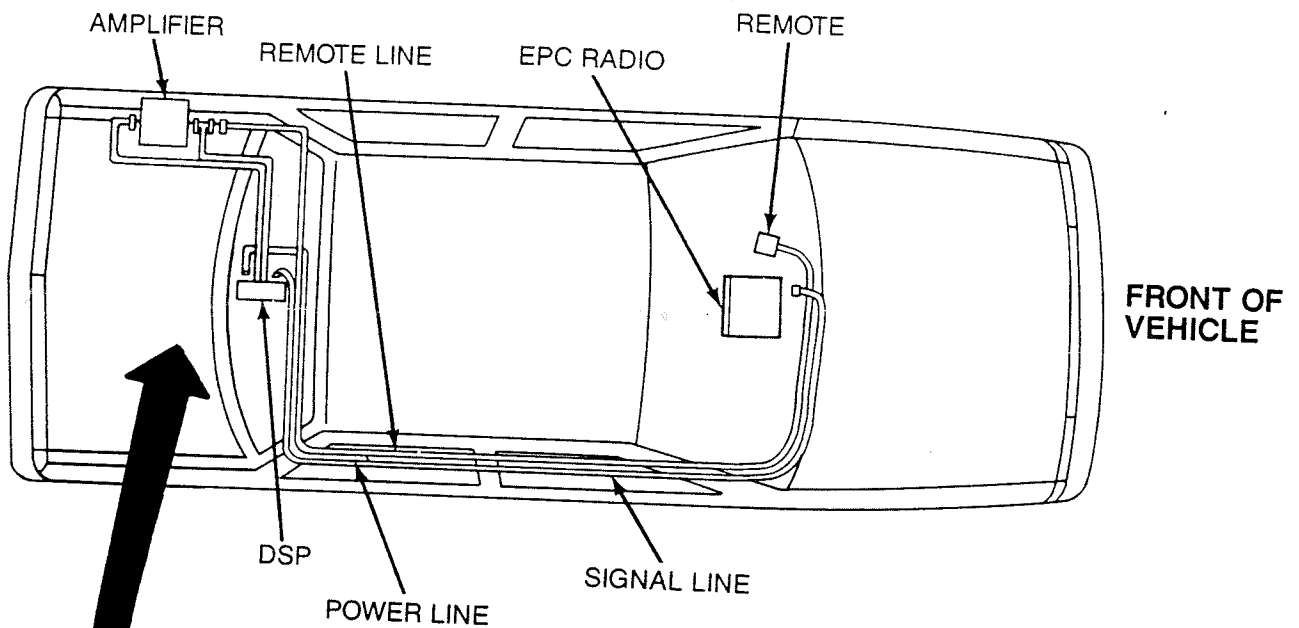
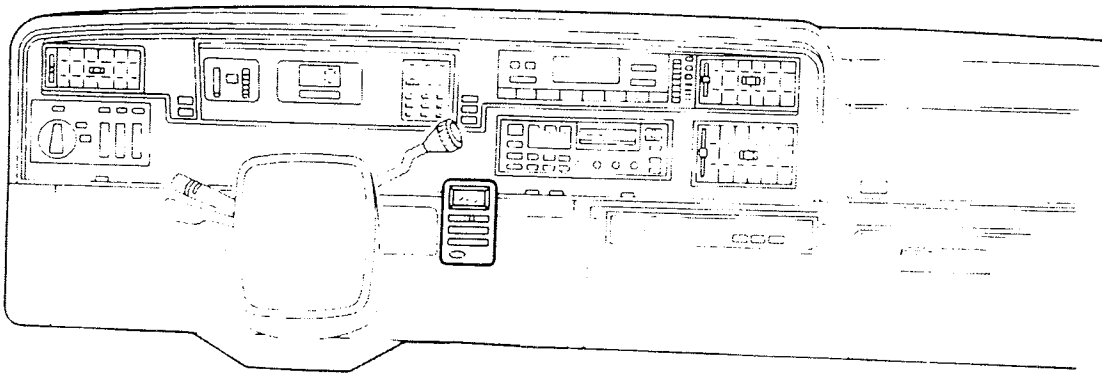
NOTE: TO INSTALL DSP IN THE EXPLORER, IT IS NECESSARY TO REMOVE THE RIGHT REAR QUARTER PANEL AND SUBWOOFER/AMP ASSEMBLY. MOUNT THE PROCESSOR BEHIND AND REARWARD OF THE SEAT BELT RETRACTOR USING THE SCREWS AND CLIPS.

# MARK VII DSP INSTALLATION

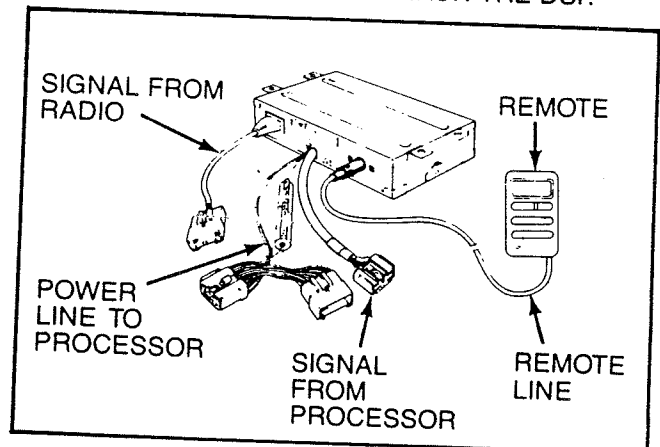


Digital Signal Processing System

# CONTINENTAL DSP INSTALLATION



NOTE: IT IS NECESSARY TO PULL BACK 6 INCHES OF THE SIGNAL LINE FROM THE MAIN HARNESS TO REACH THE DSP.



Digital Signal Processing System