

SYSTEM WIRING DIAGRAMS

Selected Block

1989 Ford Taurus

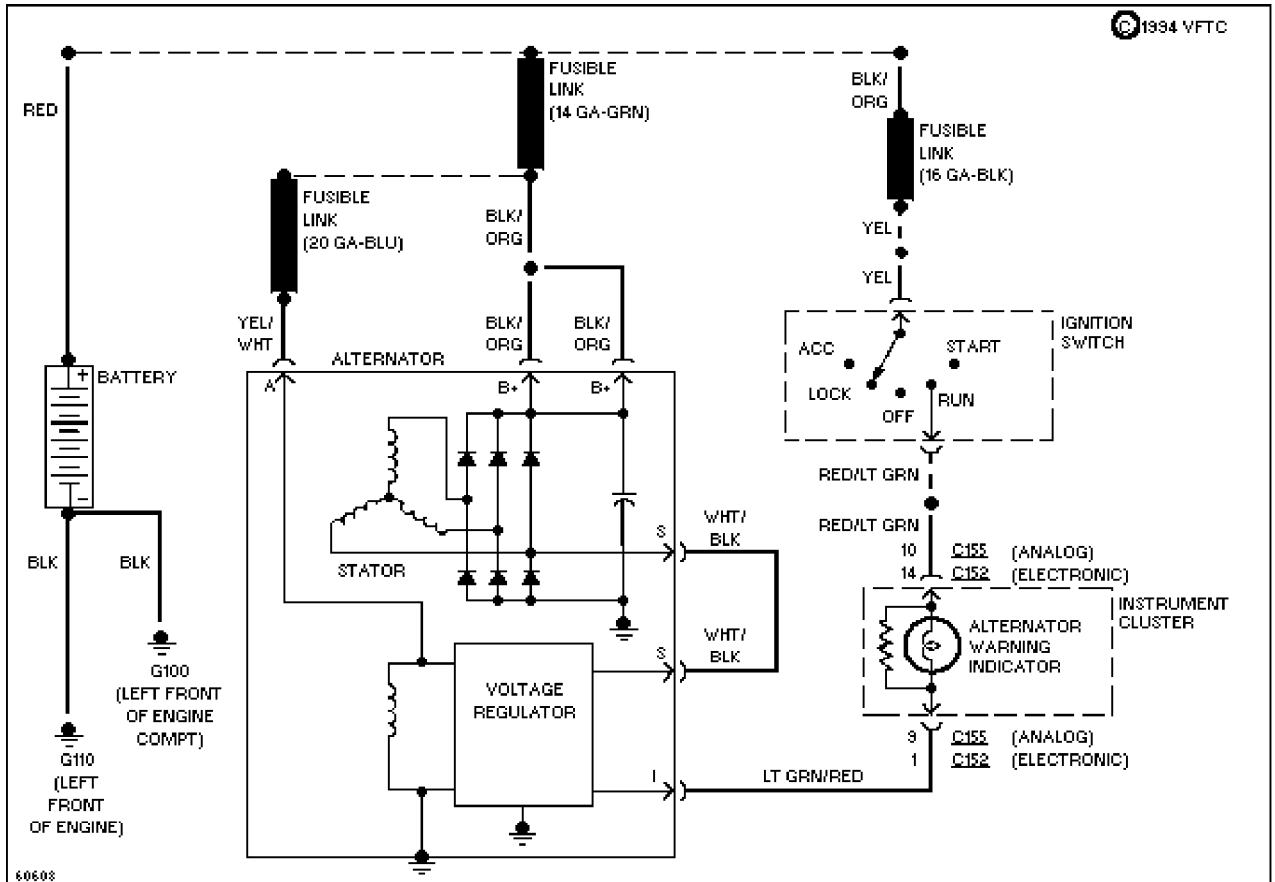
For <http://www.mitchell.narod.ru/>

Copyright © 1997 Mitchell International

Friday, March 02, 2001 02:12PM

STARTING/CHARGING

2.5L



2.5L, Charging Circuit

SYSTEM WIRING DIAGRAMS

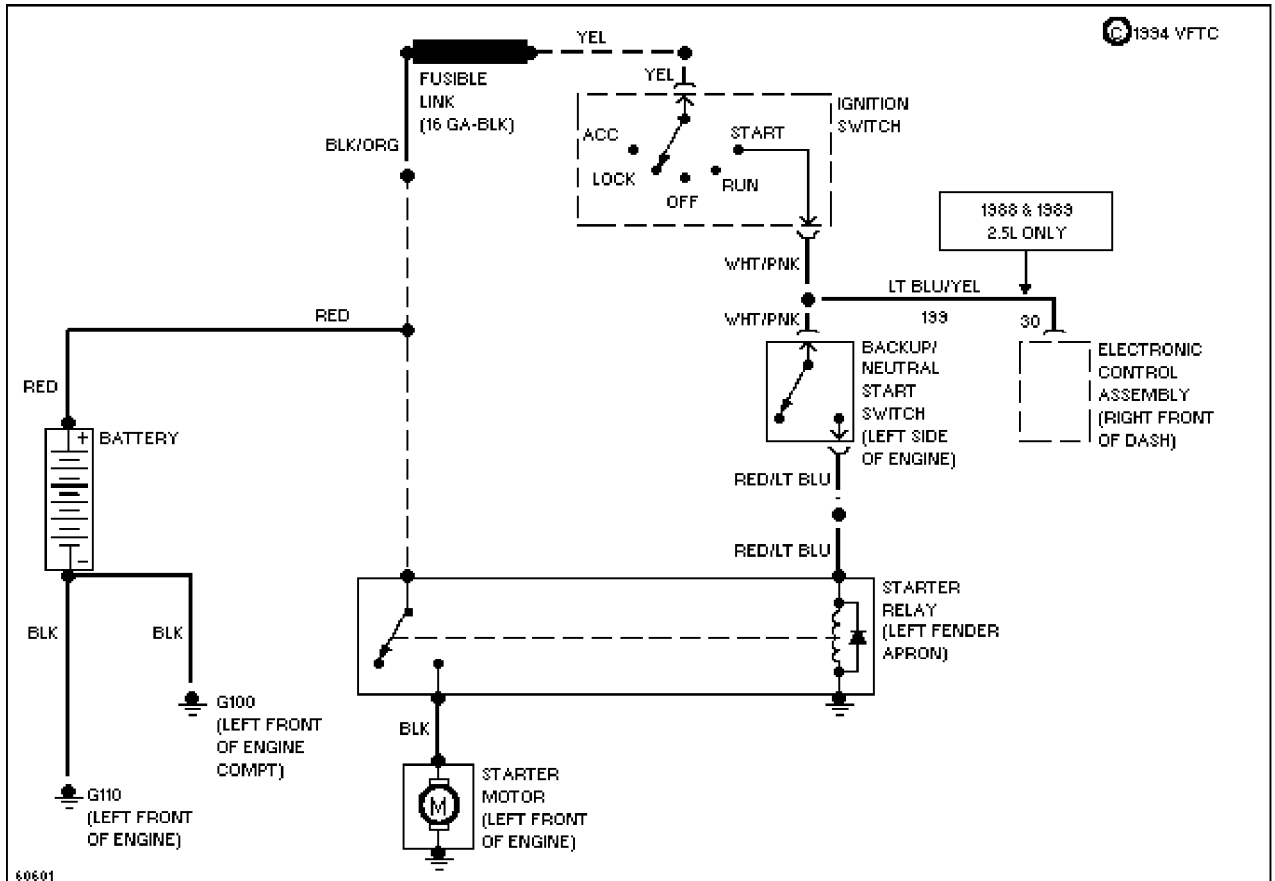
Selected Block (p. 2)

1989 Ford Taurus

For <http://www.mitchell.narod.ru/>

Copyright © 1997 Mitchell International

Friday, March 02, 2001 02:12PM



Starting Circuit

3.0L

SYSTEM WIRING DIAGRAMS

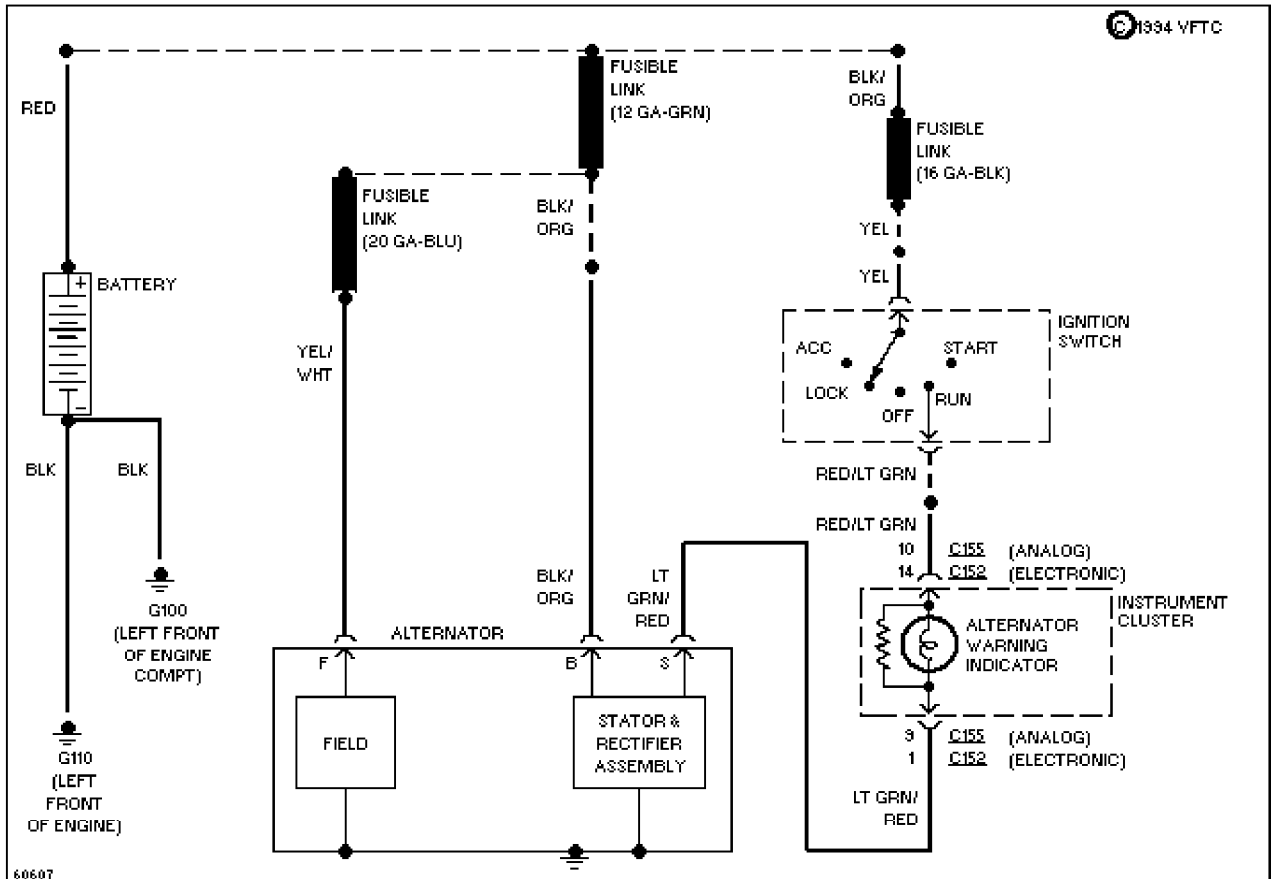
Selected Block (p. 3)

1989 Ford Taurus

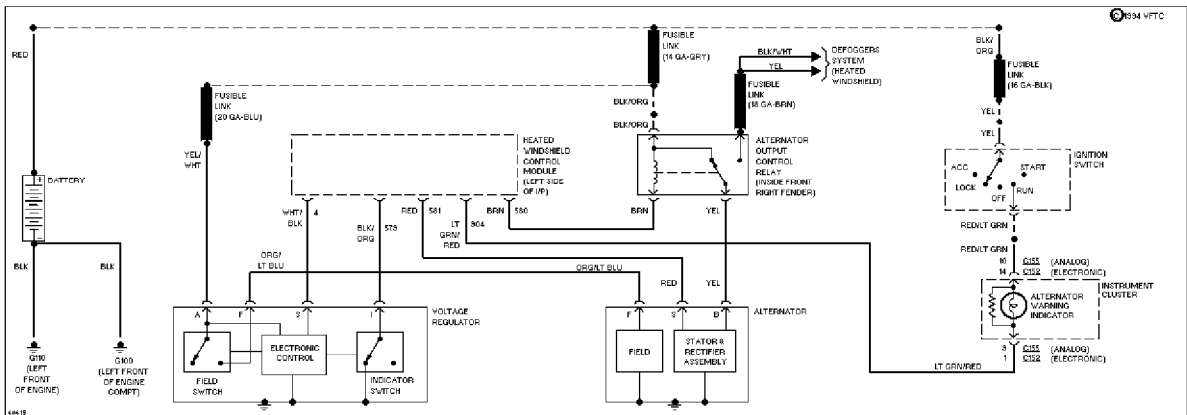
For <http://www.mitchell.narod.ru/>

Copyright © 1997 Mitchell International

Friday, March 02, 2001 02:12PM



3.0L SHO, Charging Circuit



3.0L, Charging Circuit, W/ Heated Windshield

SYSTEM WIRING DIAGRAMS

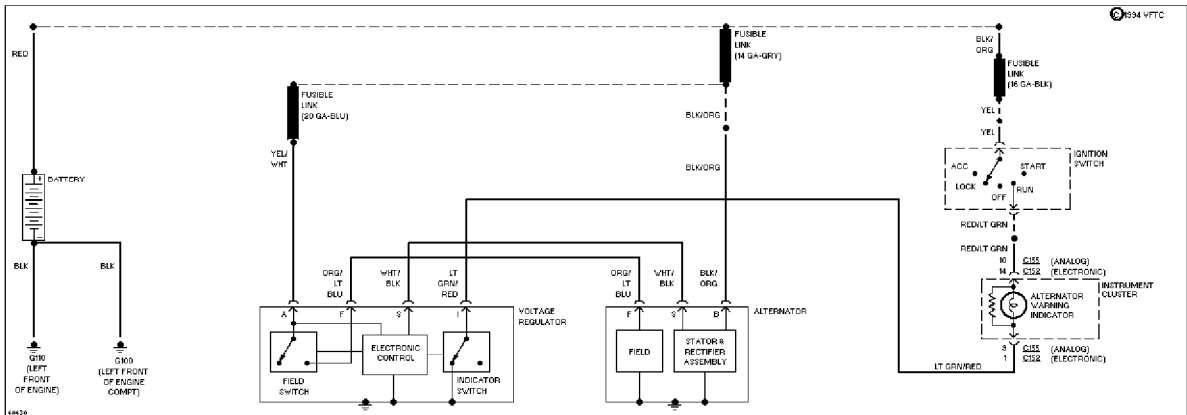
Selected Block (p. 4)

1989 Ford Taurus

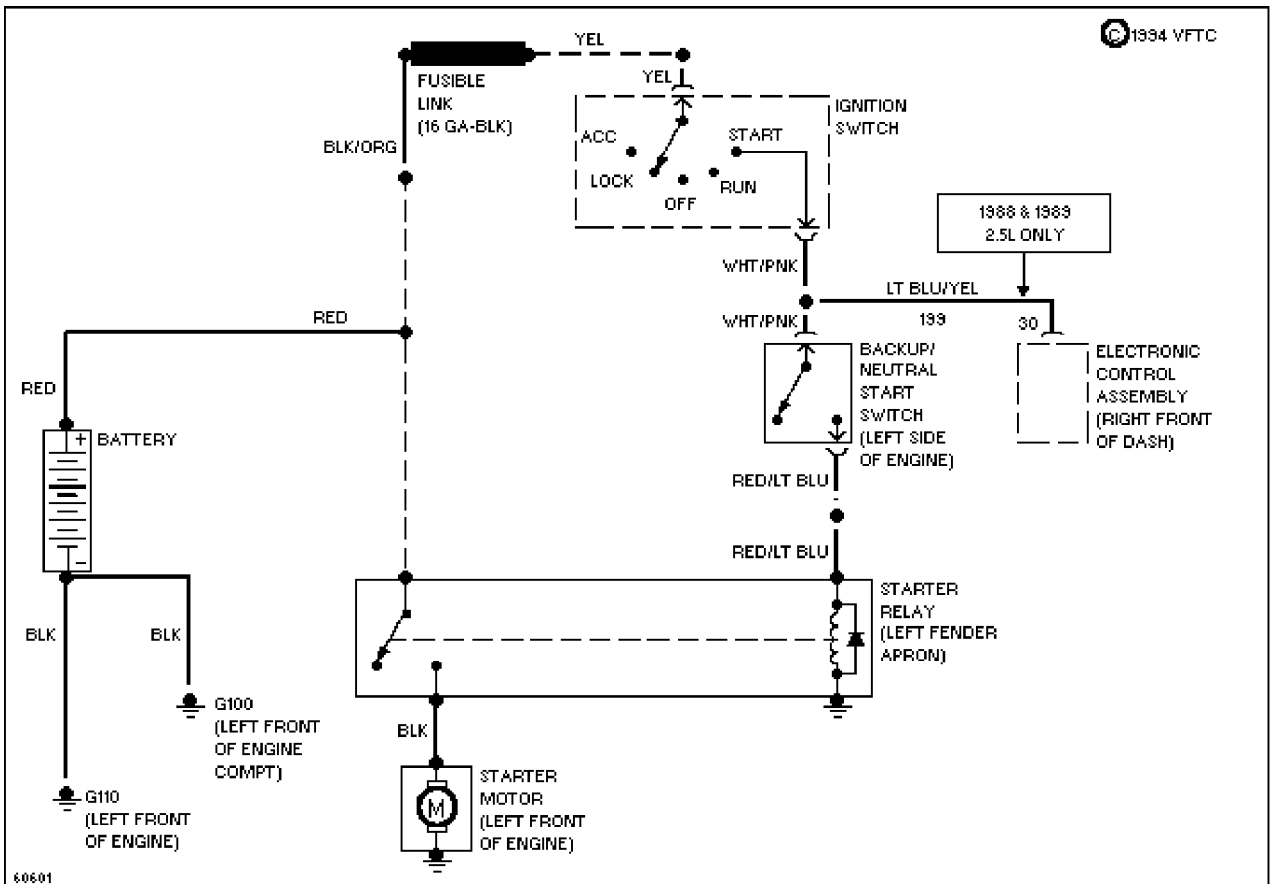
For <http://www.mitchell.narod.ru/>

Copyright © 1997 Mitchell International

Friday, March 02, 2001 02:12PM



3.0L, Charging Circuit, W/O Heated Windshield



Starting Circuit

3.8L

SYSTEM WIRING DIAGRAMS

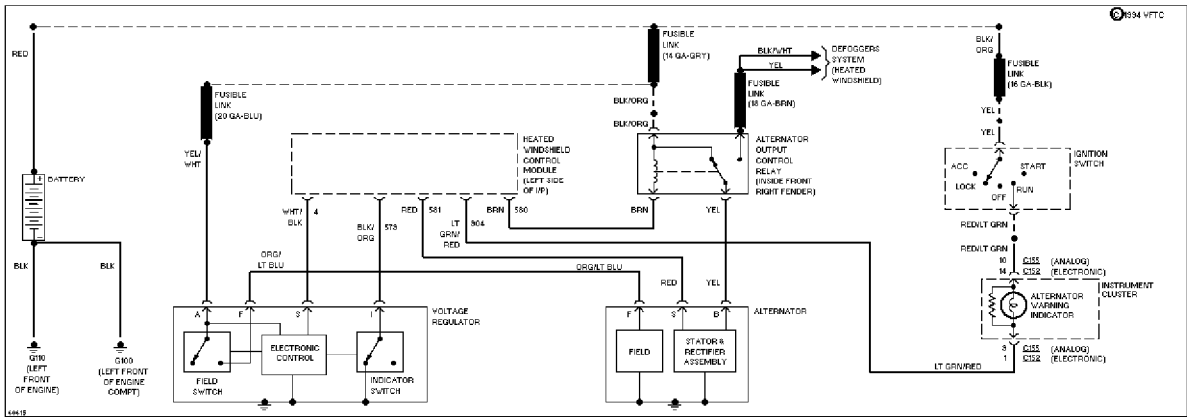
Selected Block (p. 5)

1989 Ford Taurus

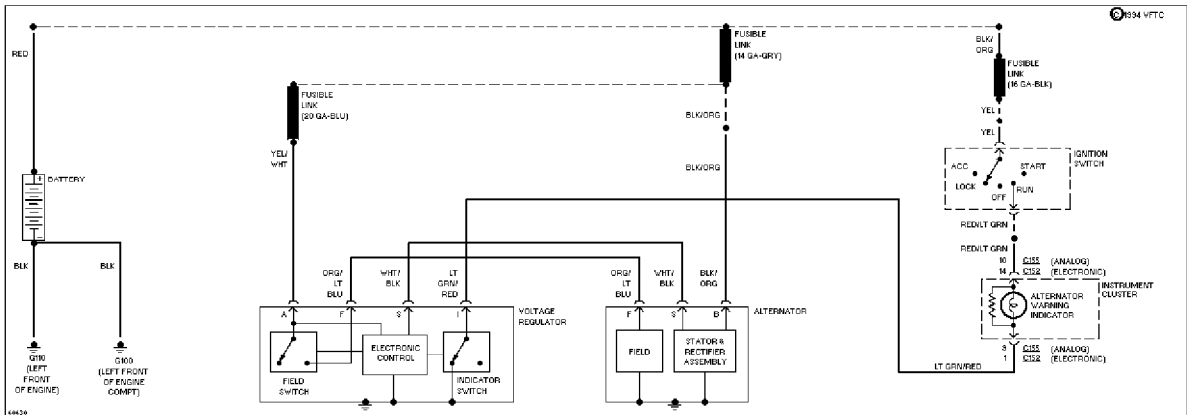
For <http://www.mitchell.narod.ru/>

Copyright © 1997 Mitchell International

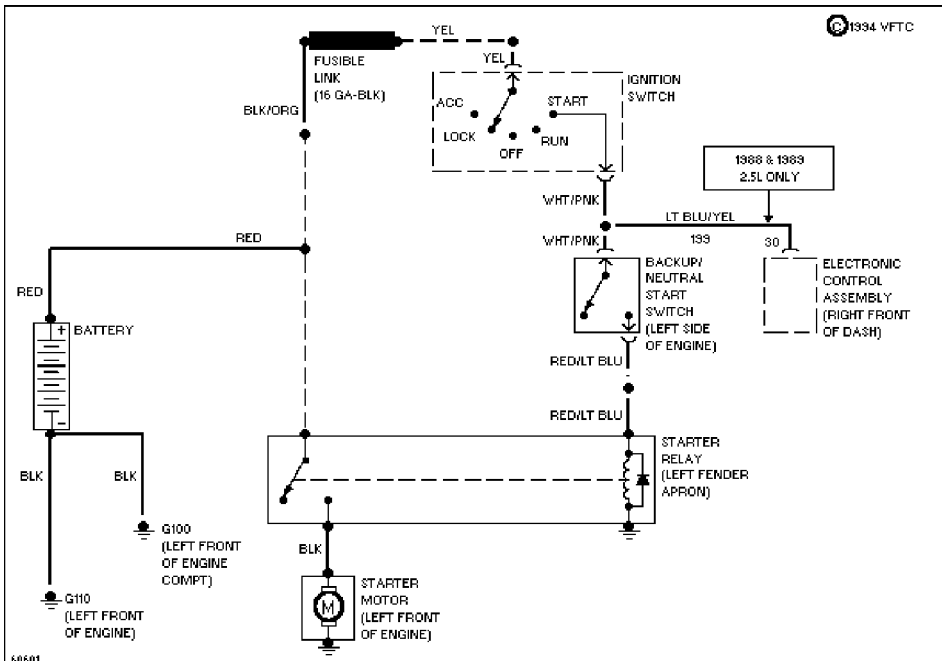
Friday, March 02, 2001 02:12PM



3.8L, Charging Circuit, W/ Heated Windshield



3.8L, Charging Circuit, W/O Heated Windshield



Starting Circuit