

SUB-CIRCUIT DIAGRAMS

Selected Block (p. 2)

1990 Ford Taurus

For <http://www.mitchell.narod.ru/>

Copyright © 1997 Mitchell International

Friday, March 02, 2001 02:14PM

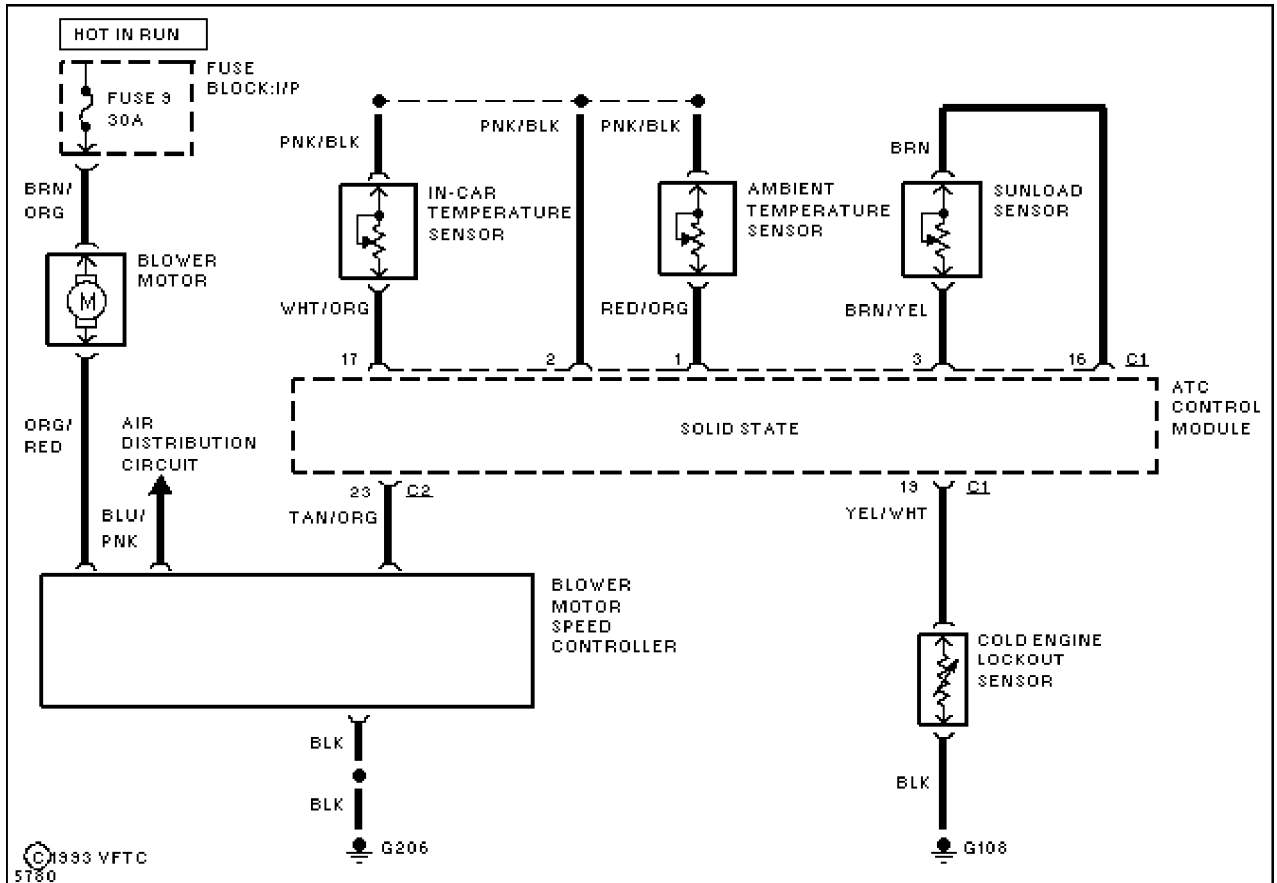


Fig. 2: Auto A/C Blower & Sensor Circuit

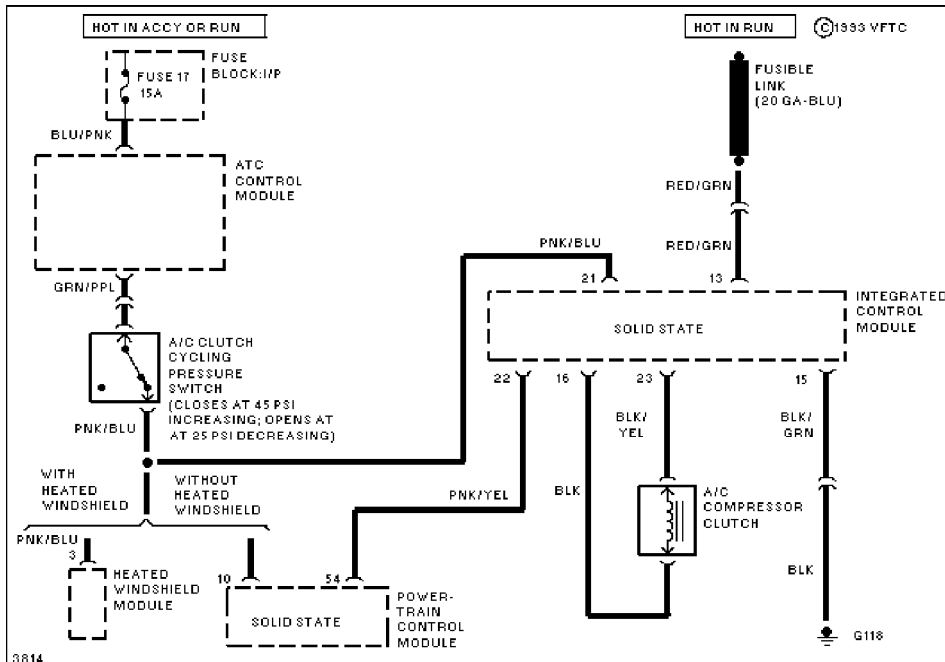


Fig. 3: Auto A/C Compressor Circuit (2.5L)

SUB-CIRCUIT DIAGRAMS

Selected Block (p. 3)

1990 Ford Taurus

For <http://www.mitchell.narod.ru/>

Copyright © 1997 Mitchell International

Friday, March 02, 2001 02:14PM

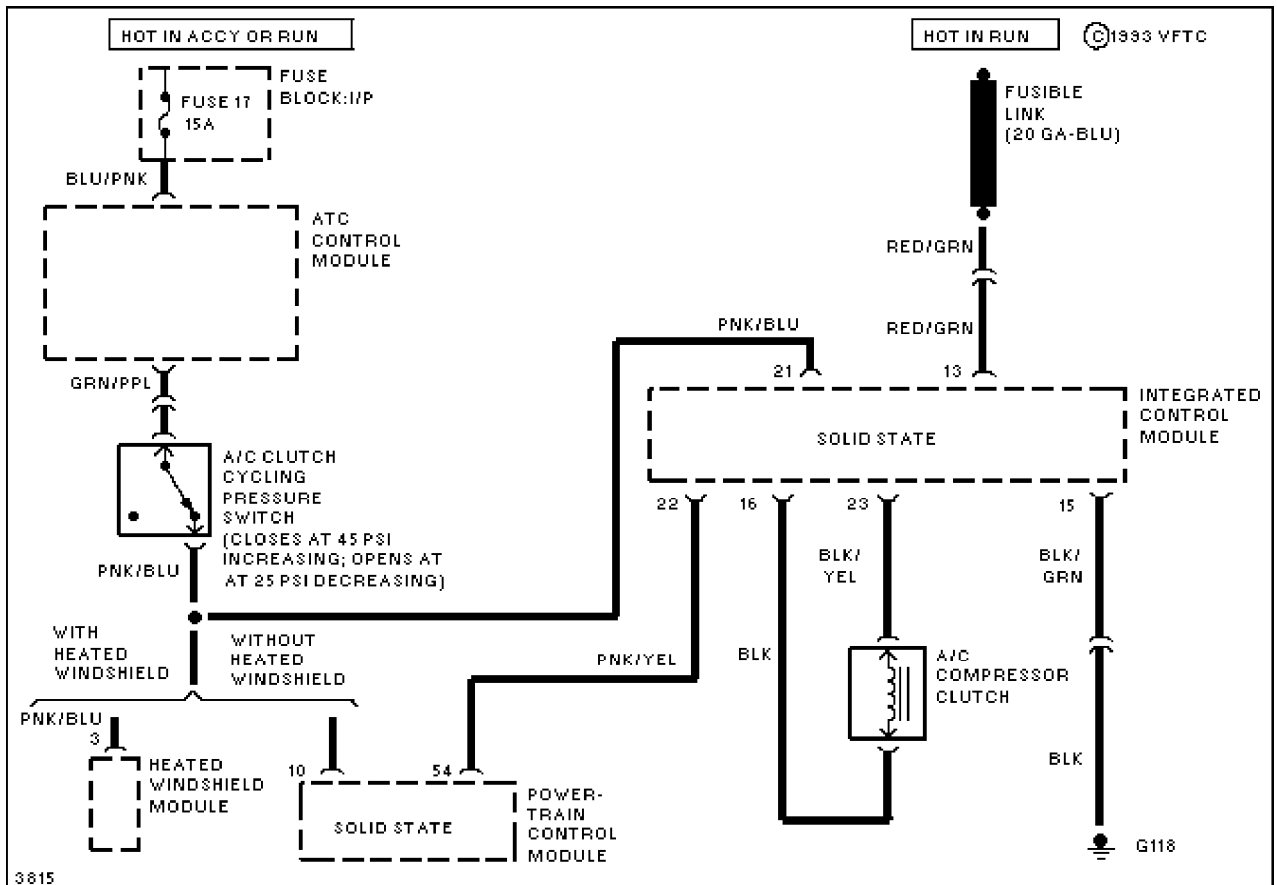


Fig. 4: Auto A/C Compressor Circuit (3.0L Except SHO)

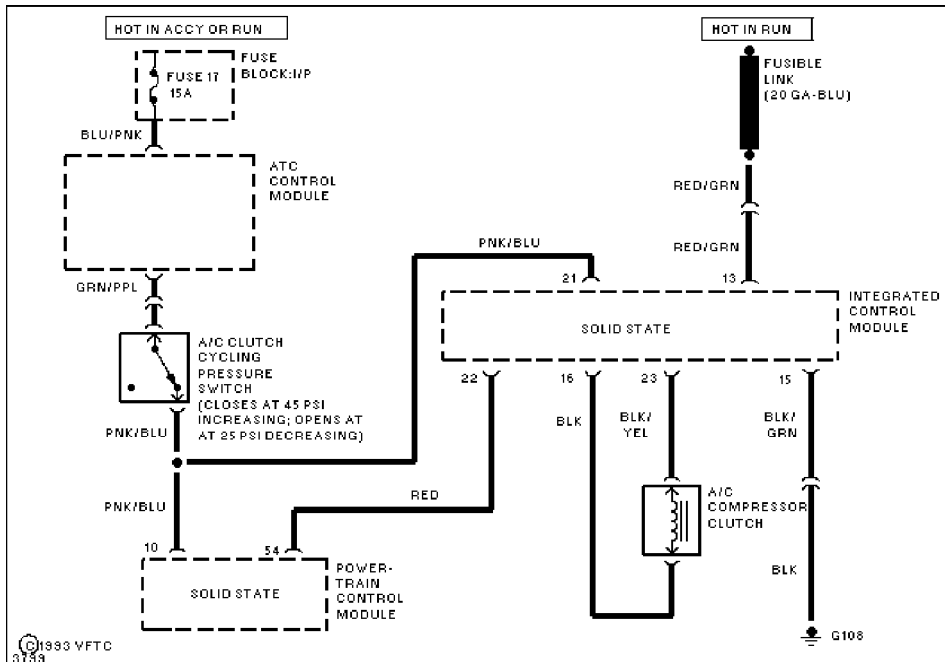


Fig. 5: Auto A/C Compressor Circuit (3.0L SHO)

SUB-CIRCUIT DIAGRAMS

Selected Block (p. 4)

1990 Ford Taurus

For <http://www.mitchell.narod.ru/>

Copyright © 1997 Mitchell International

Friday, March 02, 2001 02:14PM

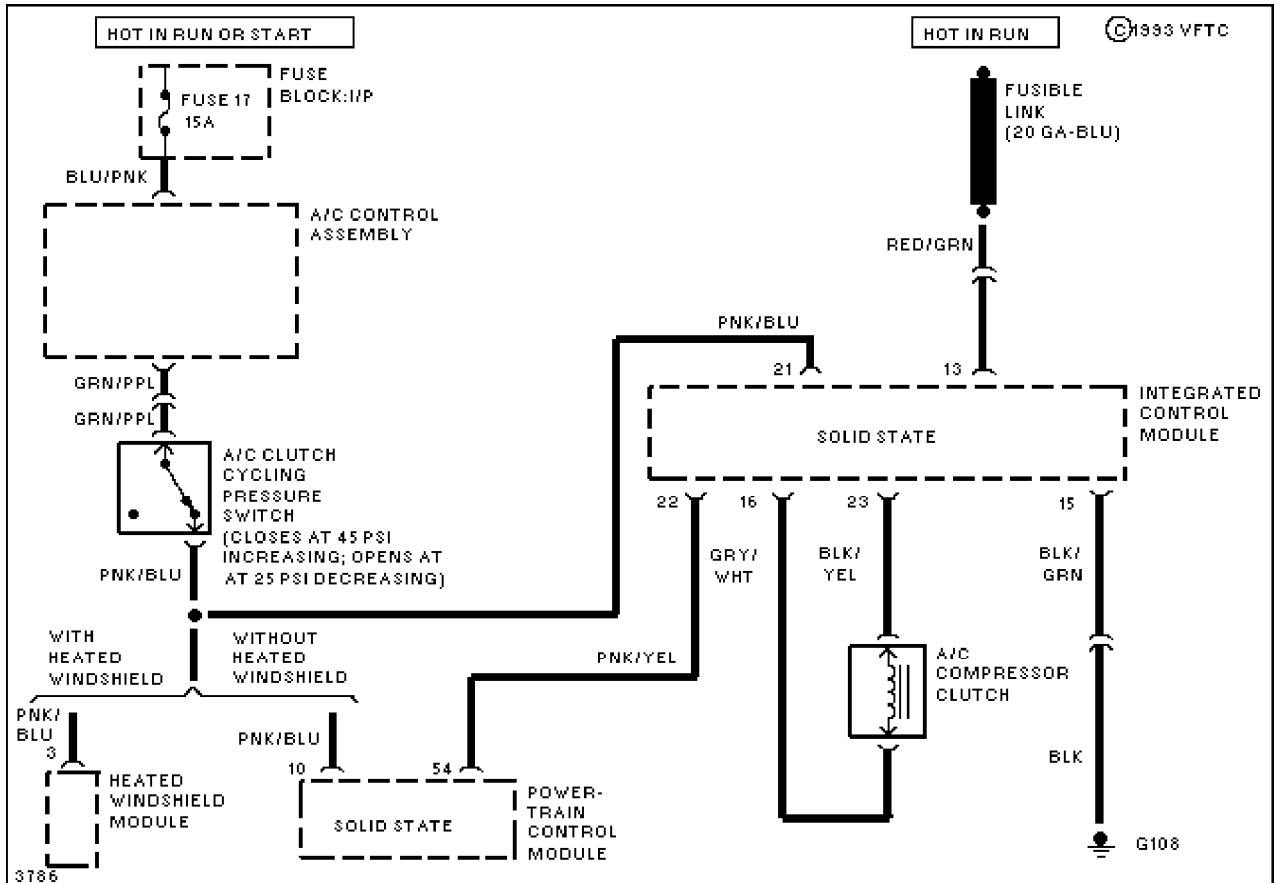


Fig. 6: Auto A/C Compressor Circuit (3.8L)