

SUB-CIRCUIT DIAGRAMS
Selected Block
 1990 Ford Taurus
 For <http://www.mitchell.narod.ru/>
 Copyright © 1997 Mitchell International
 Friday, March 02, 2001 02:14PM

MANUAL A/C SYSTEM

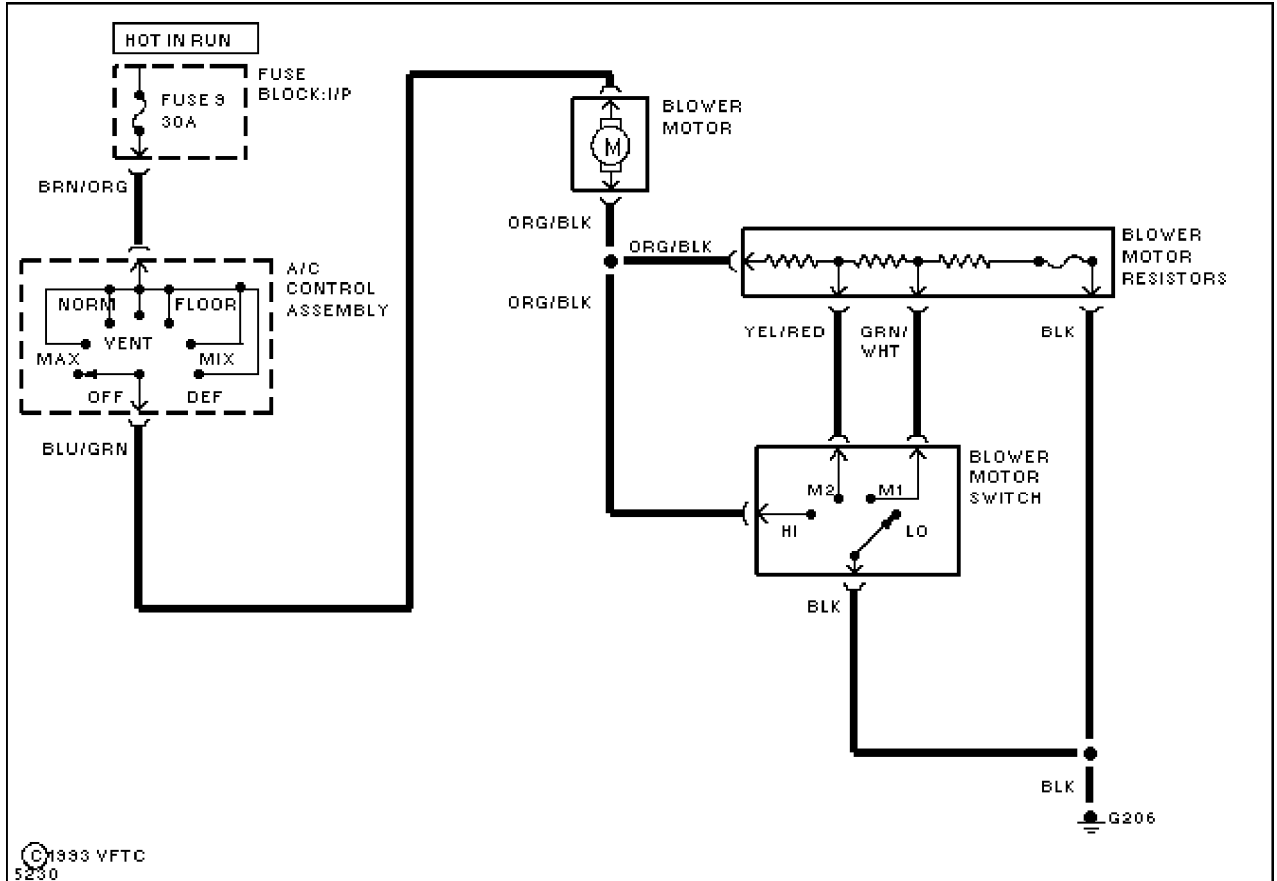


Fig. 7: Manual A/C Blower

SUB-CIRCUIT DIAGRAMS

Selected Block (p. 2)

1990 Ford Taurus

For <http://www.mitchell.narod.ru/>

Copyright © 1997 Mitchell International

Friday, March 02, 2001 02:14PM

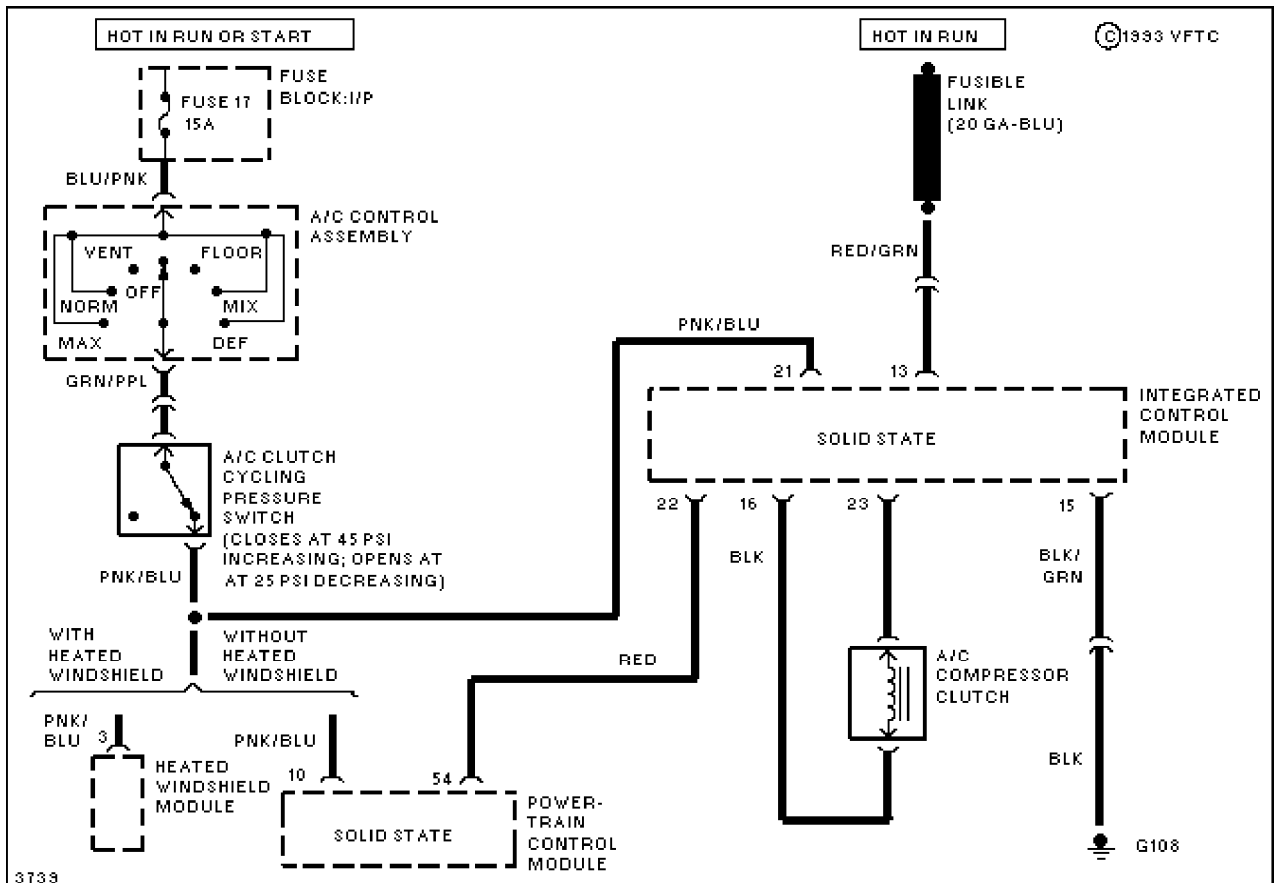


Fig. 8: Manual A/C Compressor Circuit (2.5L)

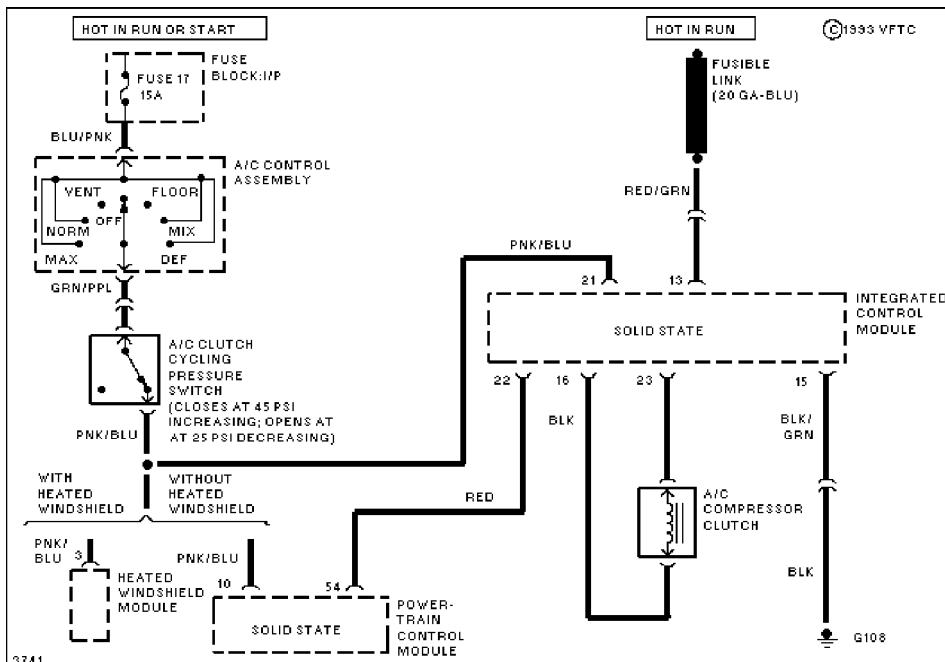


Fig. 9: Manual A/C Compressor Circuit (3.0L Except SHO)

SUB-CIRCUIT DIAGRAMS

Selected Block (p. 3)

1990 Ford Taurus

For <http://www.mitchell.narod.ru/>

Copyright © 1997 Mitchell International

Friday, March 02, 2001 02:14PM

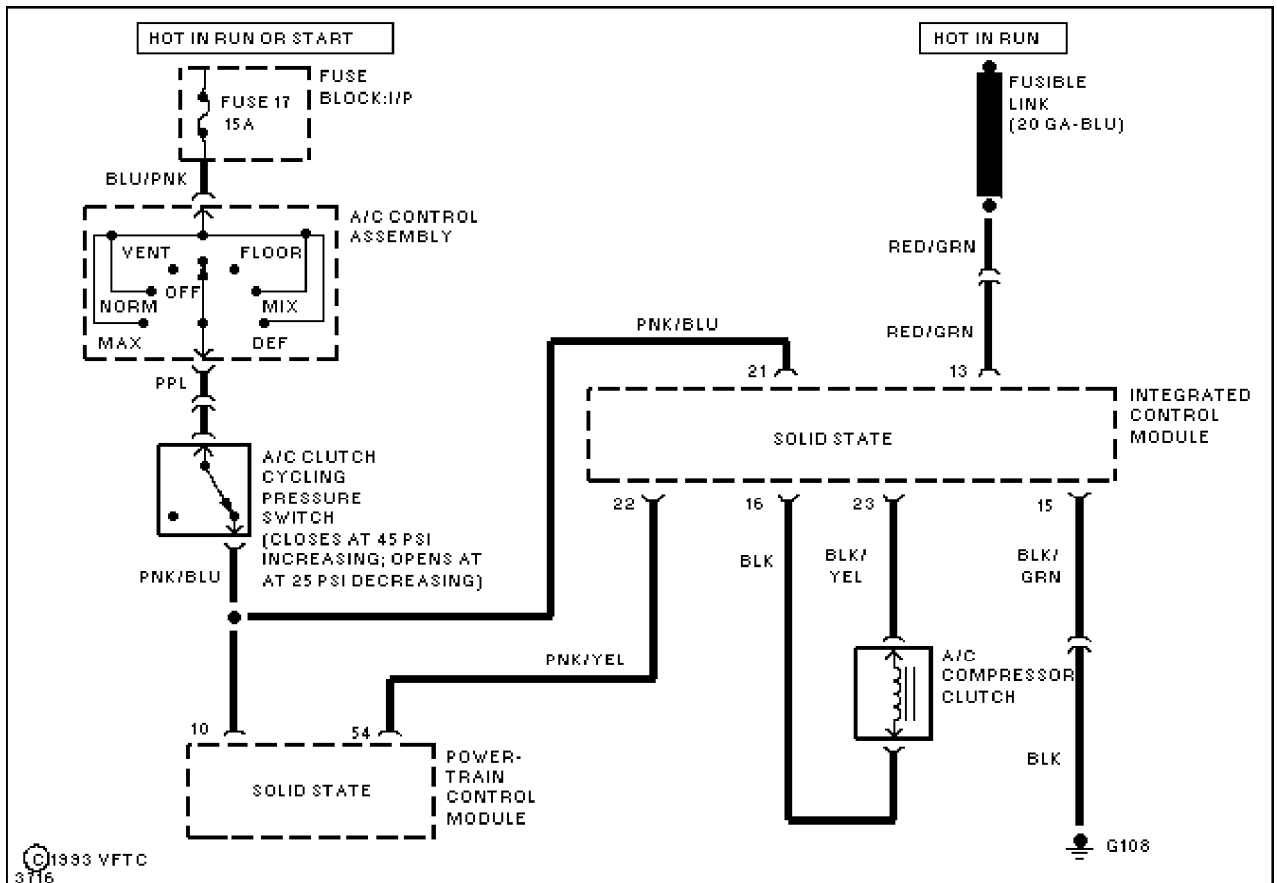


Fig. 10: Manual A/C Compressor Circuit (3.0L SHO)

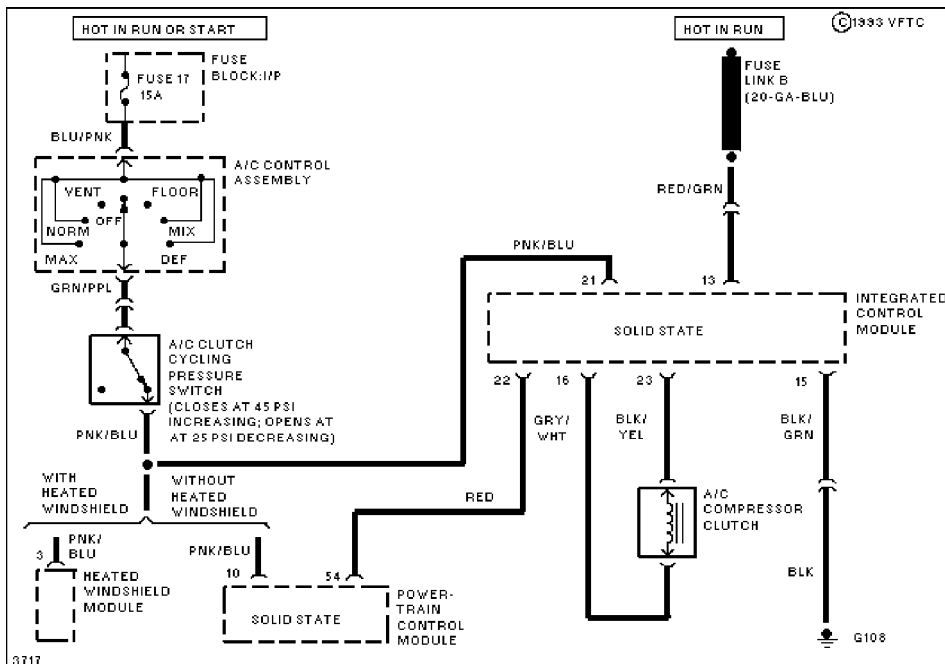


Fig. 11: Manual A/C Compressor Circuit (3.8L)