

SUB-CIRCUIT DIAGRAMS
Selected Block
 1990 Ford Taurus
 For <http://www.mitchell.narod.ru/>
 Copyright © 1997 Mitchell International
 Friday, March 02, 2001 02:14PM

CRUISE CONTROL

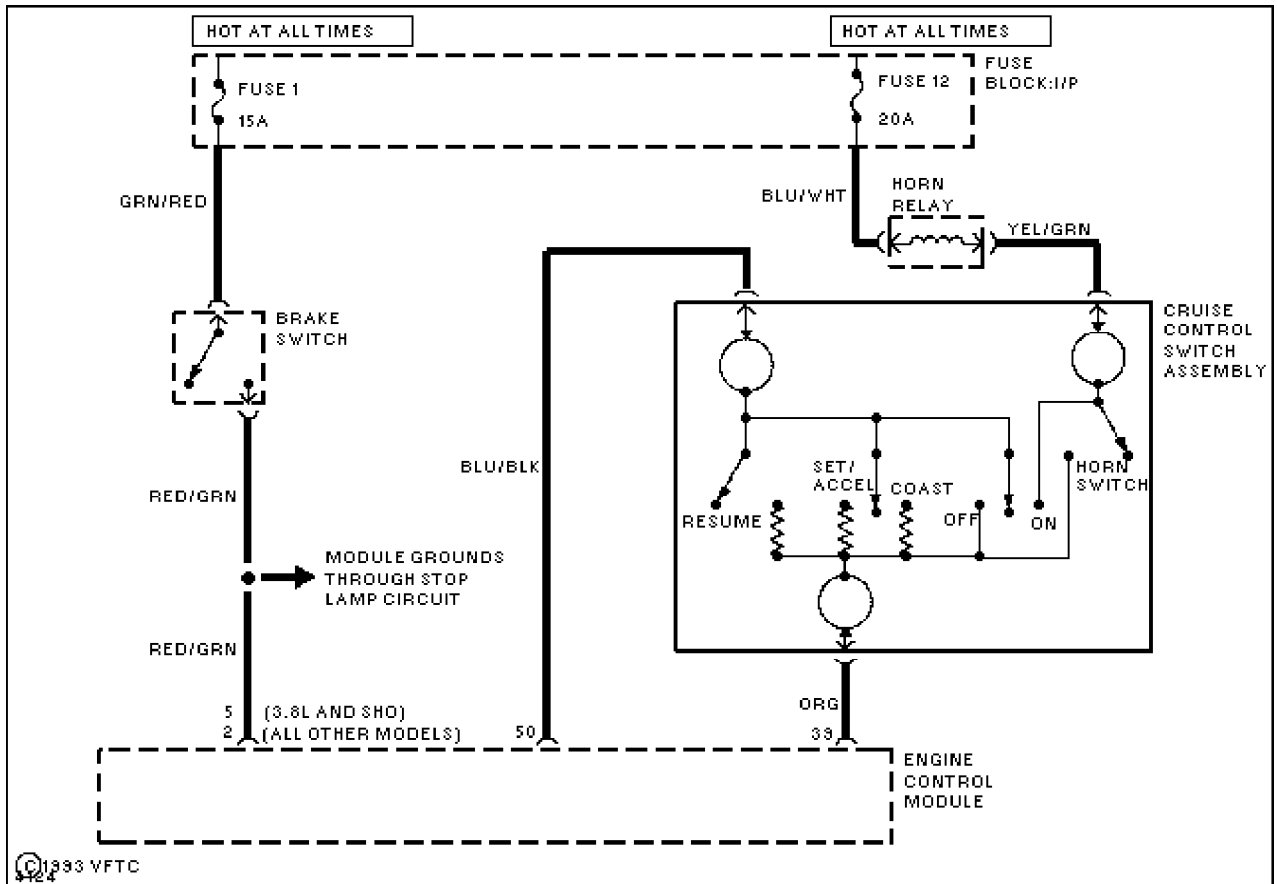


Fig. 21: Cruise Control System (1 of 2)

SUB-CIRCUIT DIAGRAMS

Selected Block (p. 2)

1990 Ford Taurus

For <http://www.mitchell.narod.ru/>

Copyright © 1997 Mitchell International

Friday, March 02, 2001 02:14PM

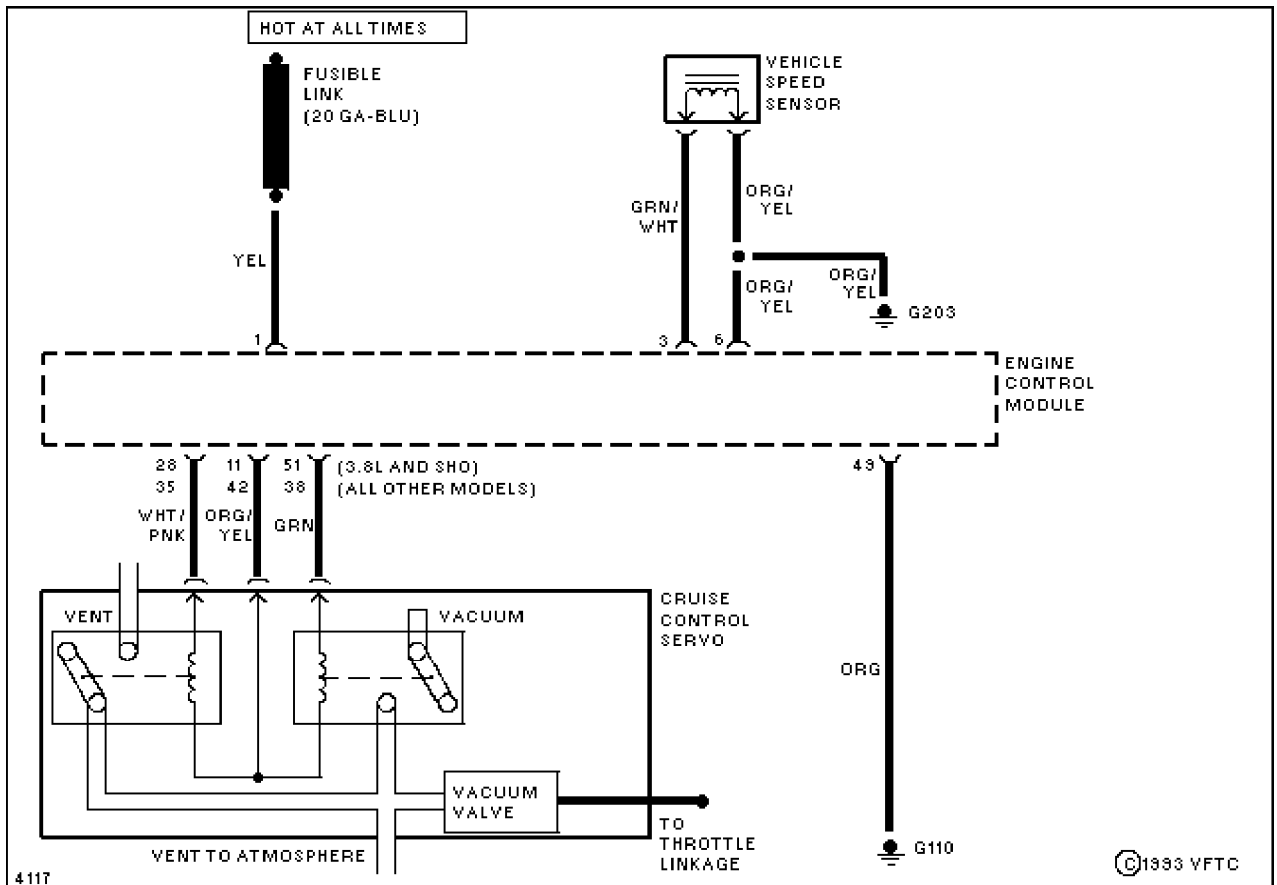


Fig. 22: Cruise Control System (2 of 2)

DOOR LOCKS

SUB-CIRCUIT DIAGRAMS

Selected Block (p. 3)

1990 Ford Taurus

For <http://www.mitchell.narod.ru/>

Copyright © 1997 Mitchell International

Friday, March 02, 2001 02:14PM

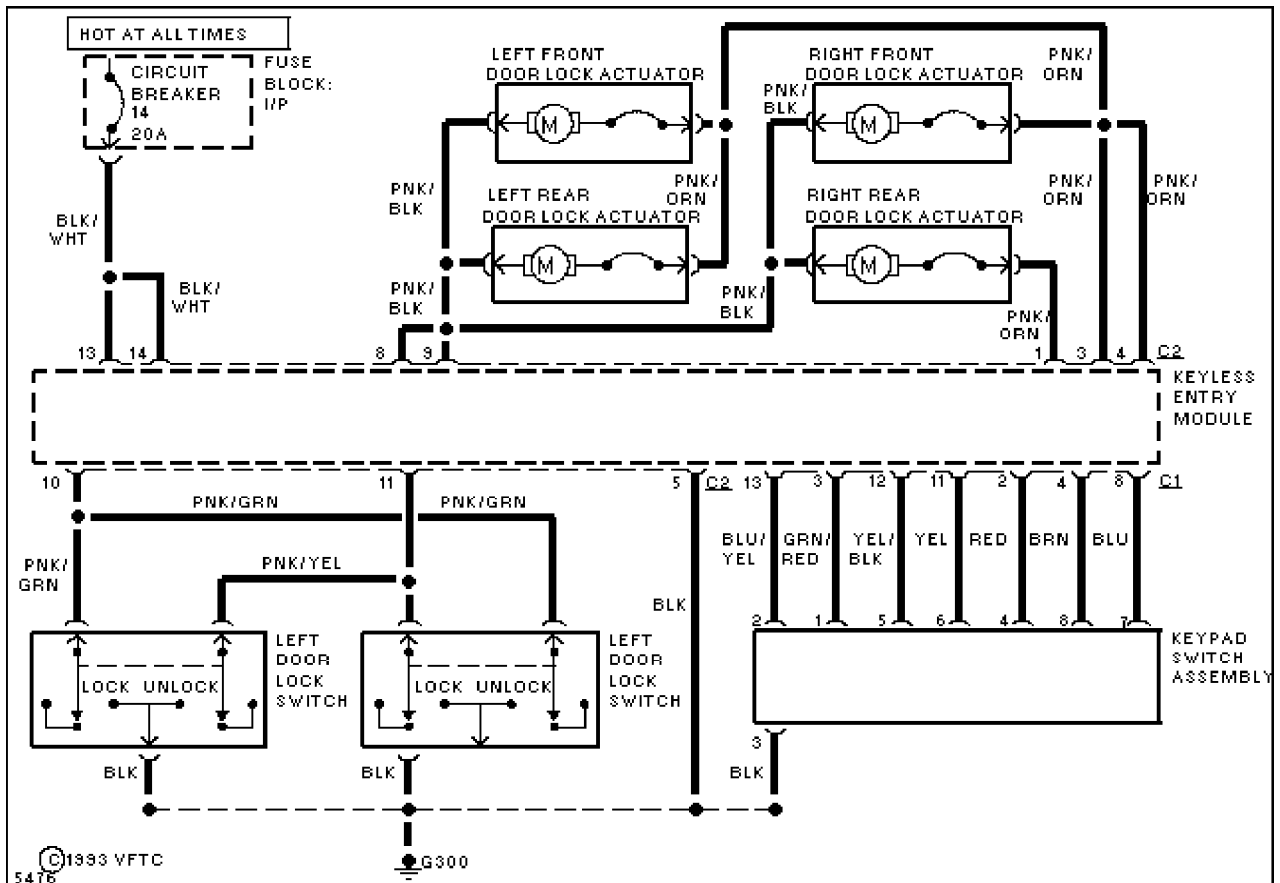


Fig. 23: Door Locks (Models With Keyless Entry)

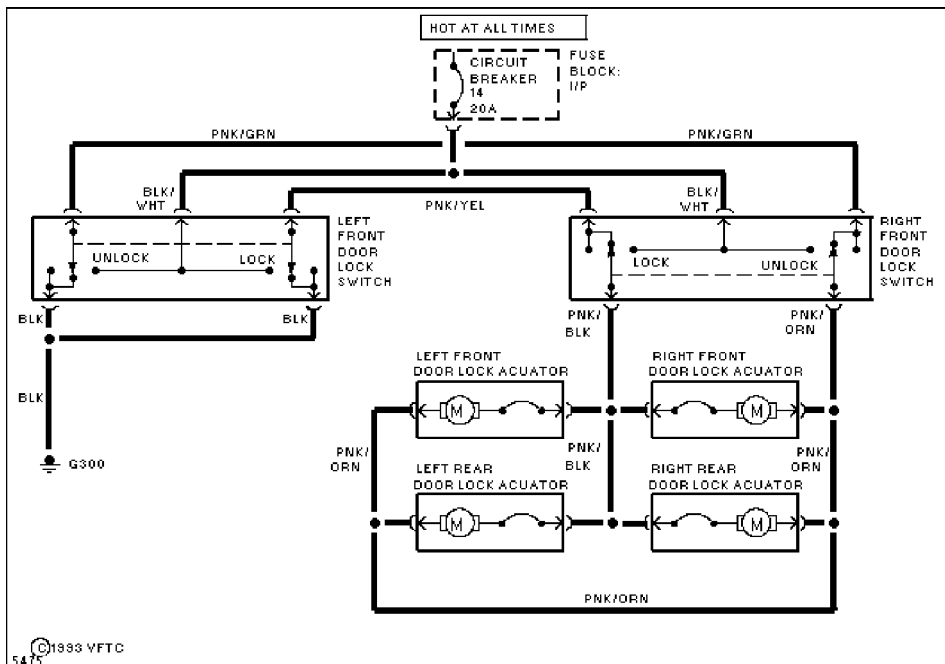


Fig. 24: Door Locks (Except Models With Keyless Entry)