

SUB-CIRCUIT DIAGRAMS

Selected Block

1990 Ford Taurus

For <http://www.mitchell.narod.ru/>

Copyright © 1997 Mitchell International

Friday, March 02, 2001 02:15PM

ENGINE PERFORMANCE

2.5L MODELS

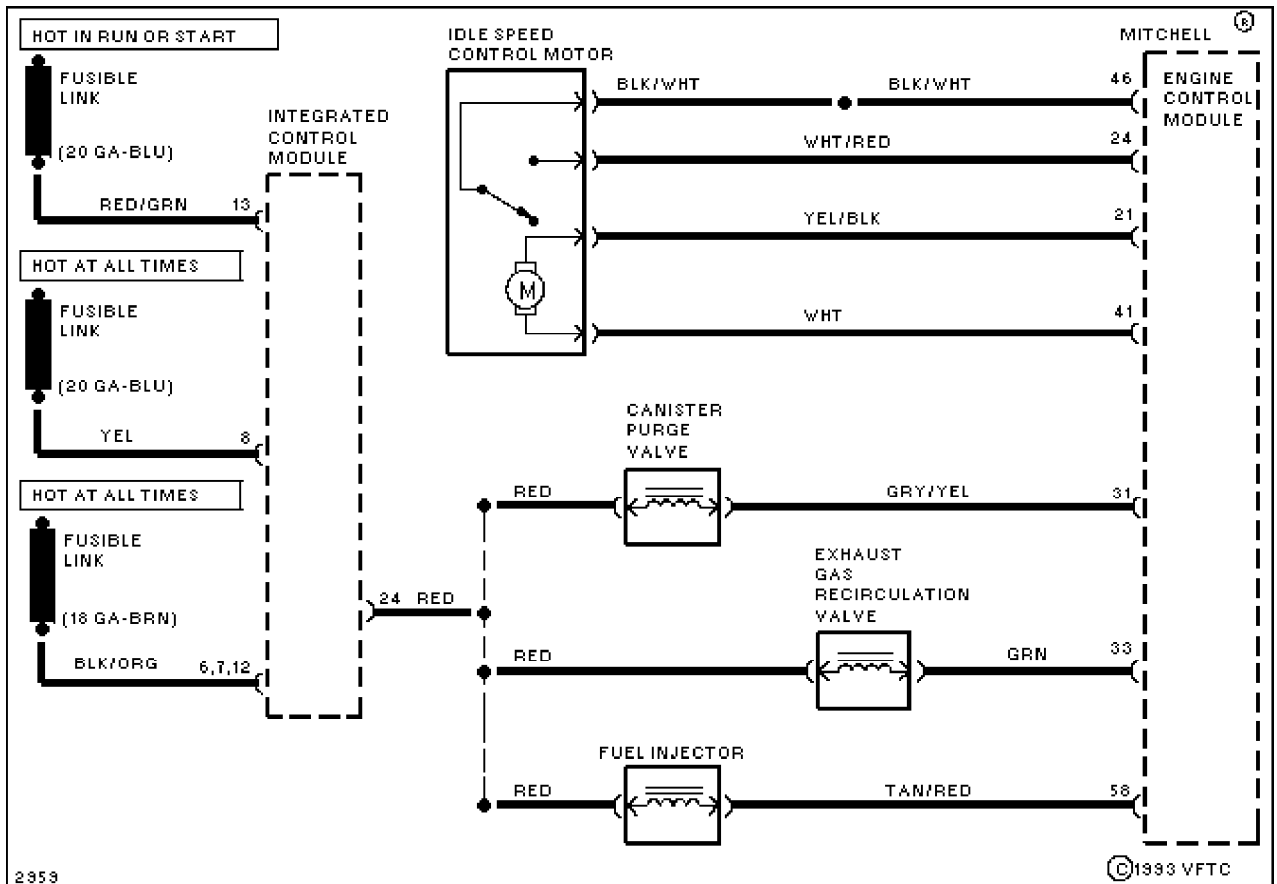


Fig. 25: Fuel Injector & Valve Control (2.5L)

SUB-CIRCUIT DIAGRAMS

Selected Block (p. 2)

1990 Ford Taurus

For <http://www.mitchell.narod.ru/>

Copyright © 1997 Mitchell International

Friday, March 02, 2001 02:15PM

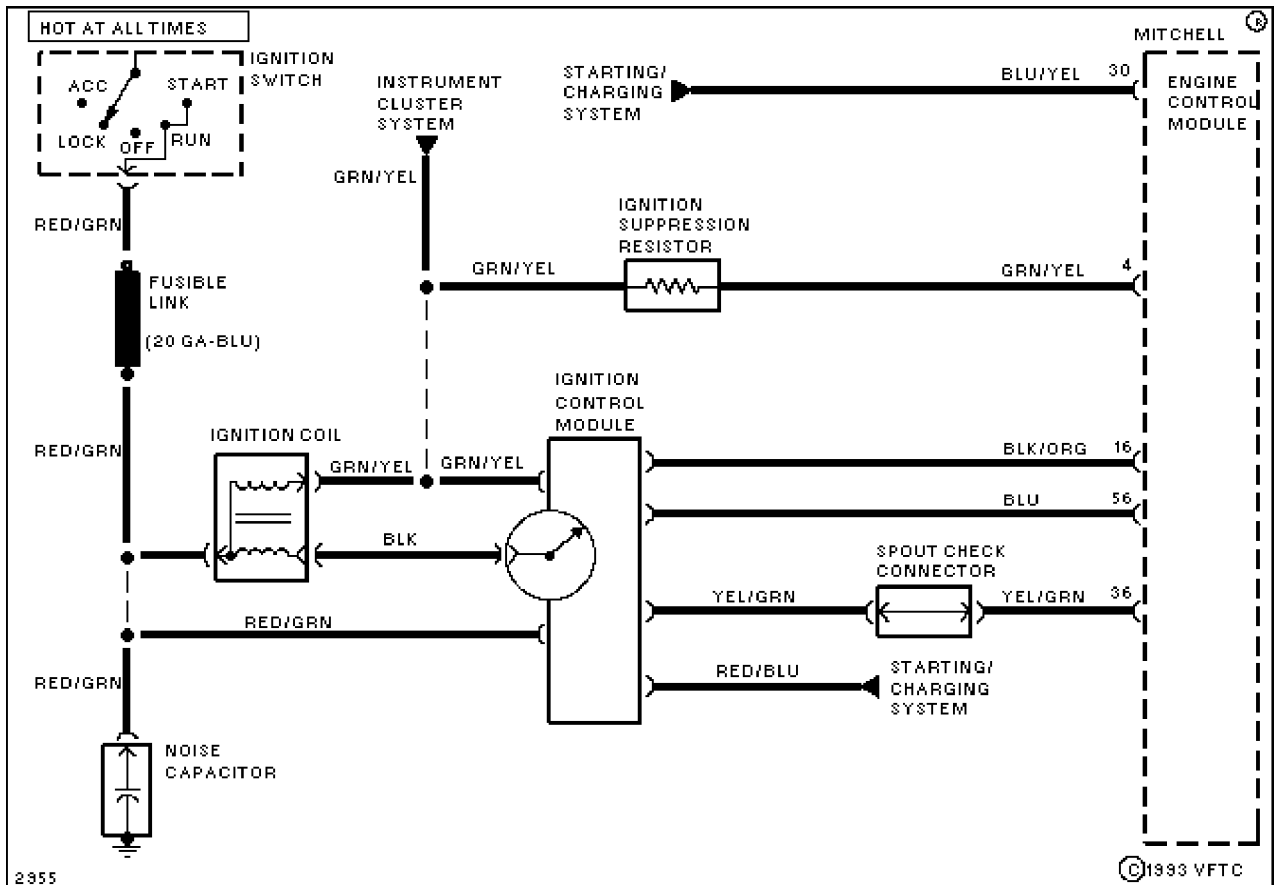


Fig. 26: Ignition Circuit (2.5L)

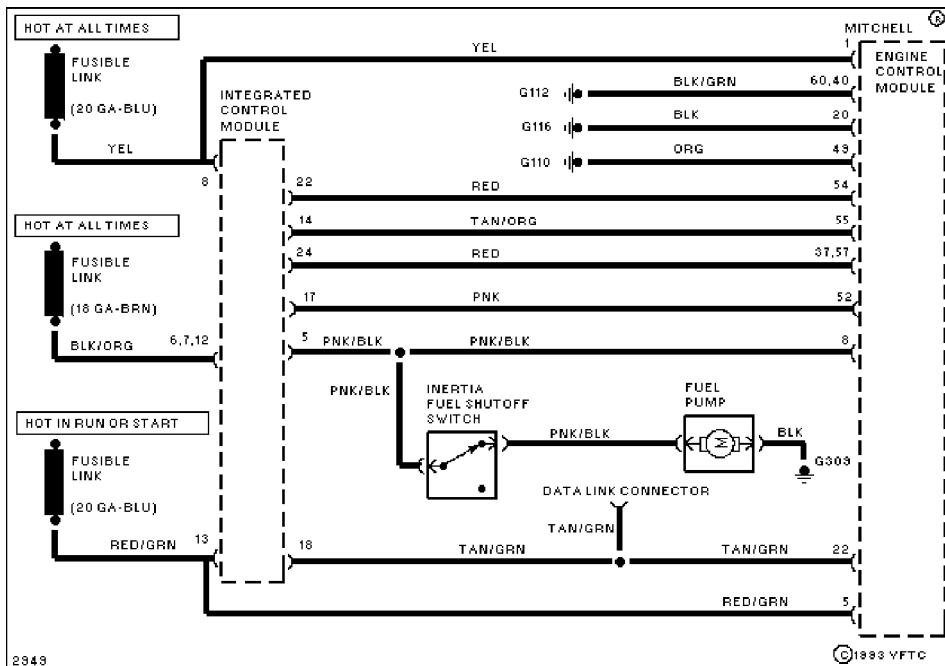


Fig. 27: Power & Ground & Fuel Pump Circuit (2.5L)

SUB-CIRCUIT DIAGRAMS

Selected Block (p. 3)

1990 Ford Taurus

For <http://www.mitchell.narod.ru/>

Copyright © 1997 Mitchell International

Friday, March 02, 2001 02:15PM

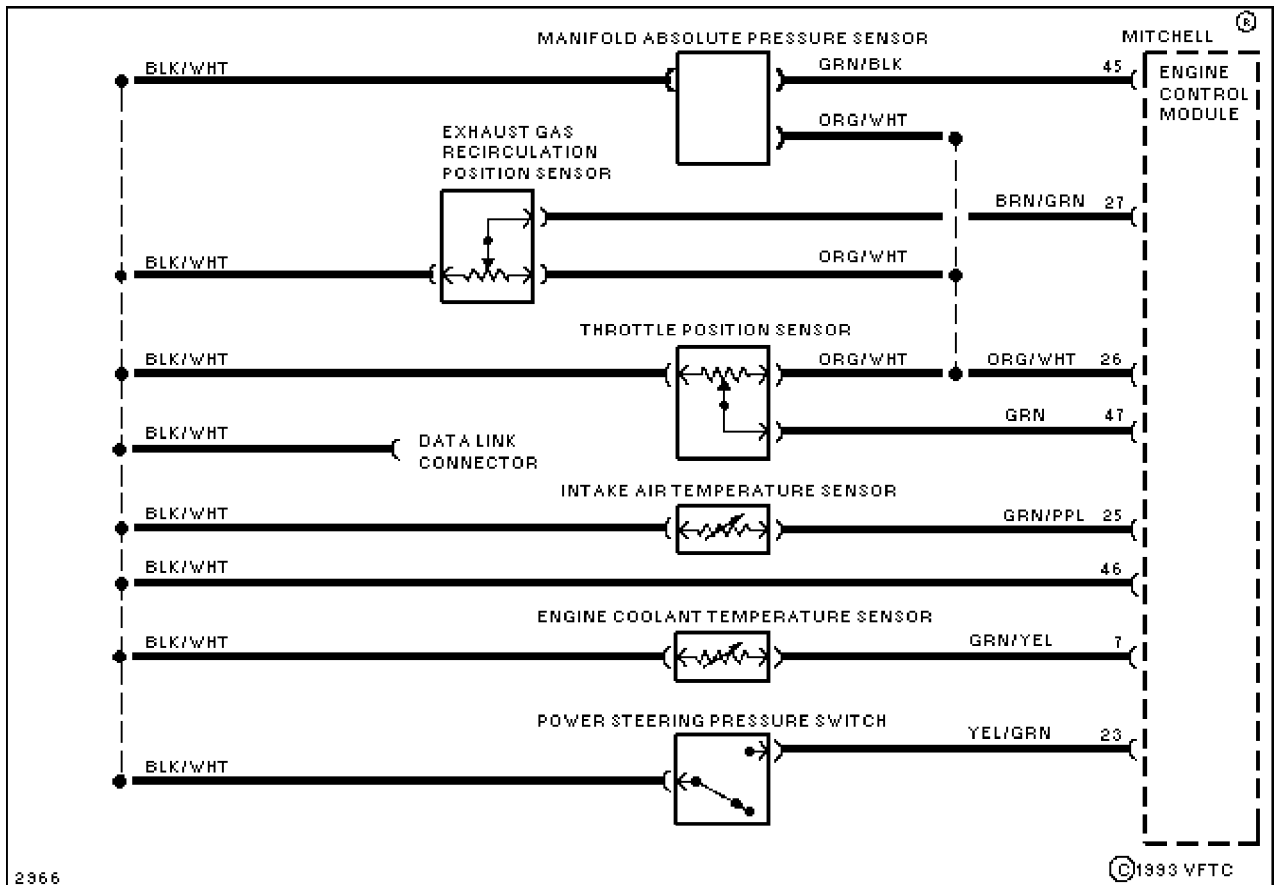


Fig. 28: Sensor & Shift Input Circuit (2.5L)

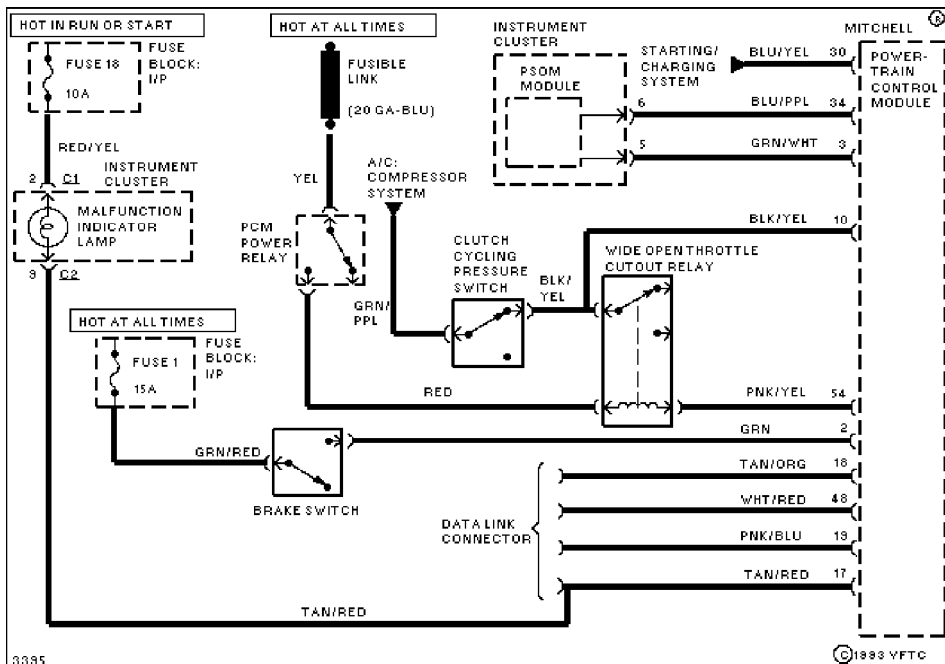


Fig. 29: Sensor, Warning Indicator & Speed Control (2.5L)