

# SUB-CIRCUIT DIAGRAMS

## Selected Block

1990 Ford Taurus

For <http://www.mitchell.narod.ru/>

Copyright © 1997 Mitchell International

Friday, March 02, 2001 02:16PM

### INSTRUMENT CLUSTER GAUGES & INDICATORS

#### ANALOG CLUSTER

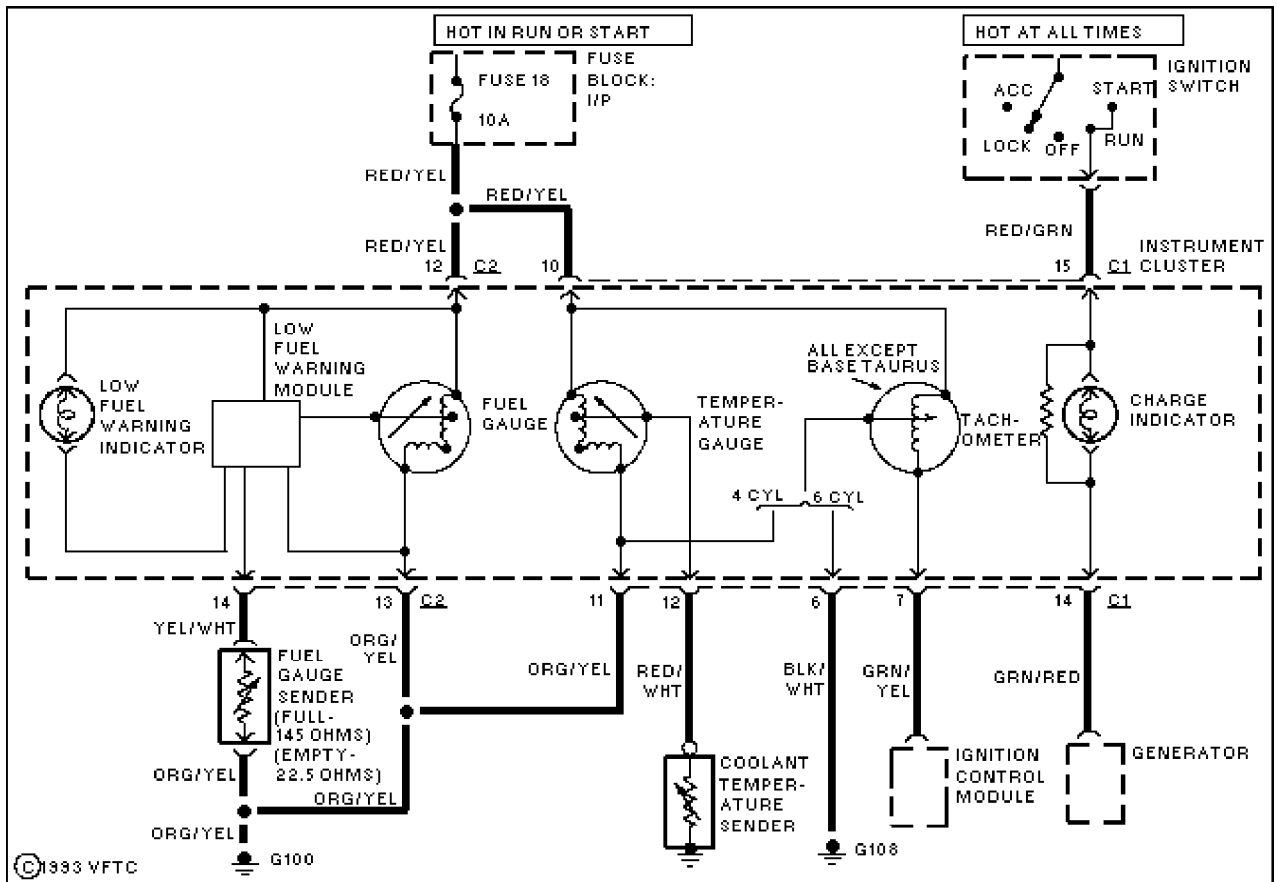


Fig. 57: Analog Gauges

# SUB-CIRCUIT DIAGRAMS

## Selected Block (p. 2)

1990 Ford Taurus

For <http://www.mitchell.narod.ru/>

Copyright © 1997 Mitchell International

Friday, March 02, 2001 02:16PM

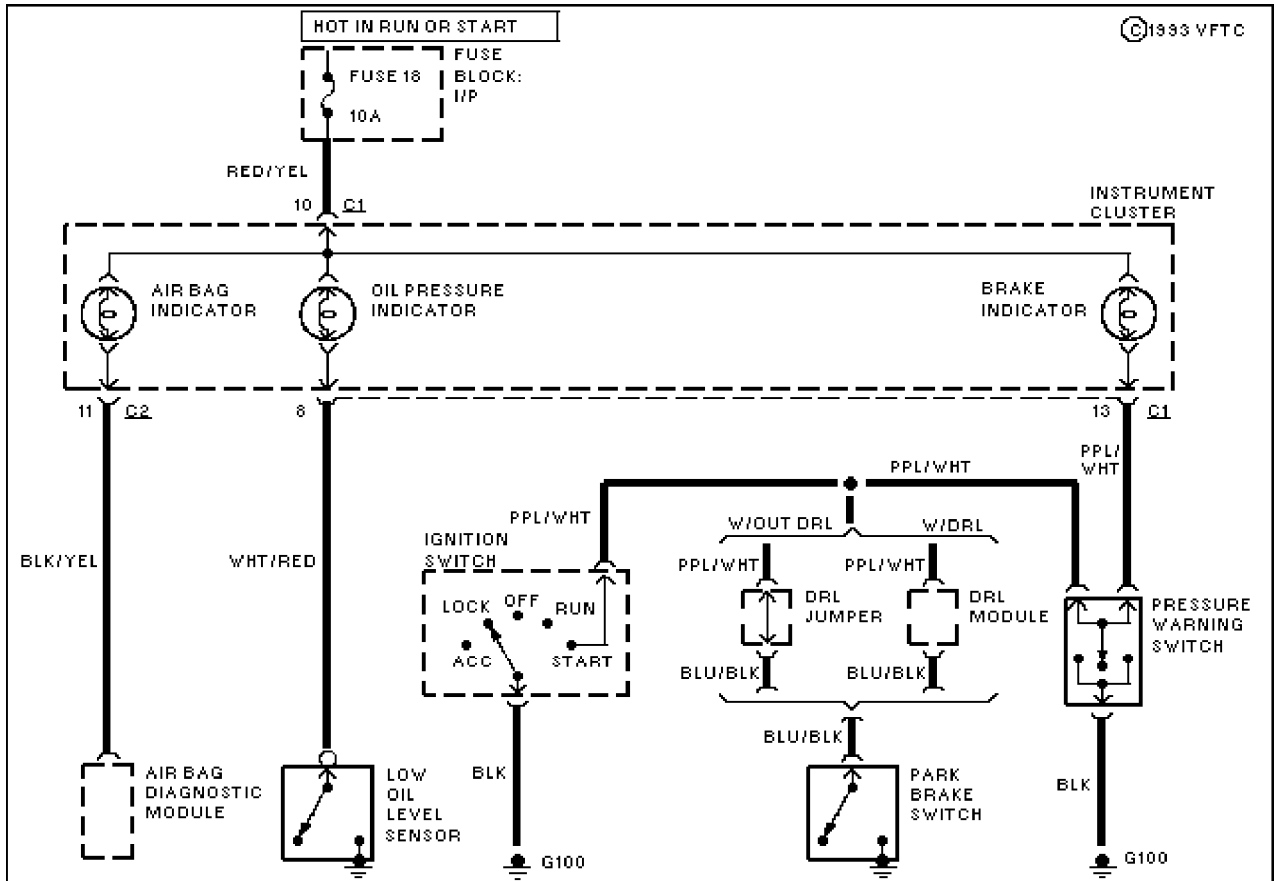


Fig. 58: Analog Indicators (1 of 4)

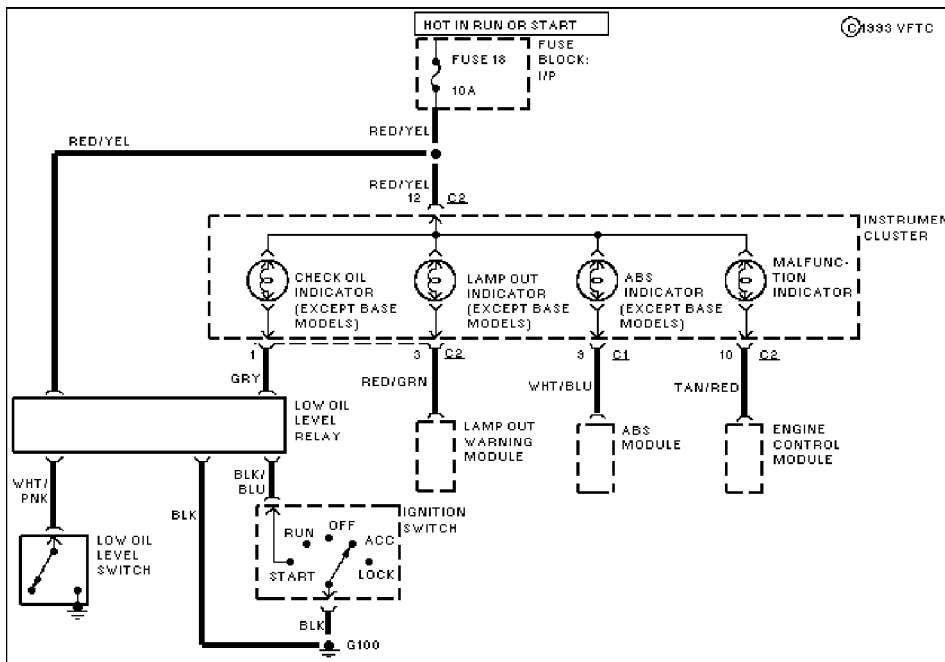


Fig. 59: Analog Indicators (2 of 4)

# SUB-CIRCUIT DIAGRAMS

## Selected Block (p. 3)

1990 Ford Taurus

For <http://www.mitchell.narod.ru/>

Copyright © 1997 Mitchell International

Friday, March 02, 2001 02:16PM

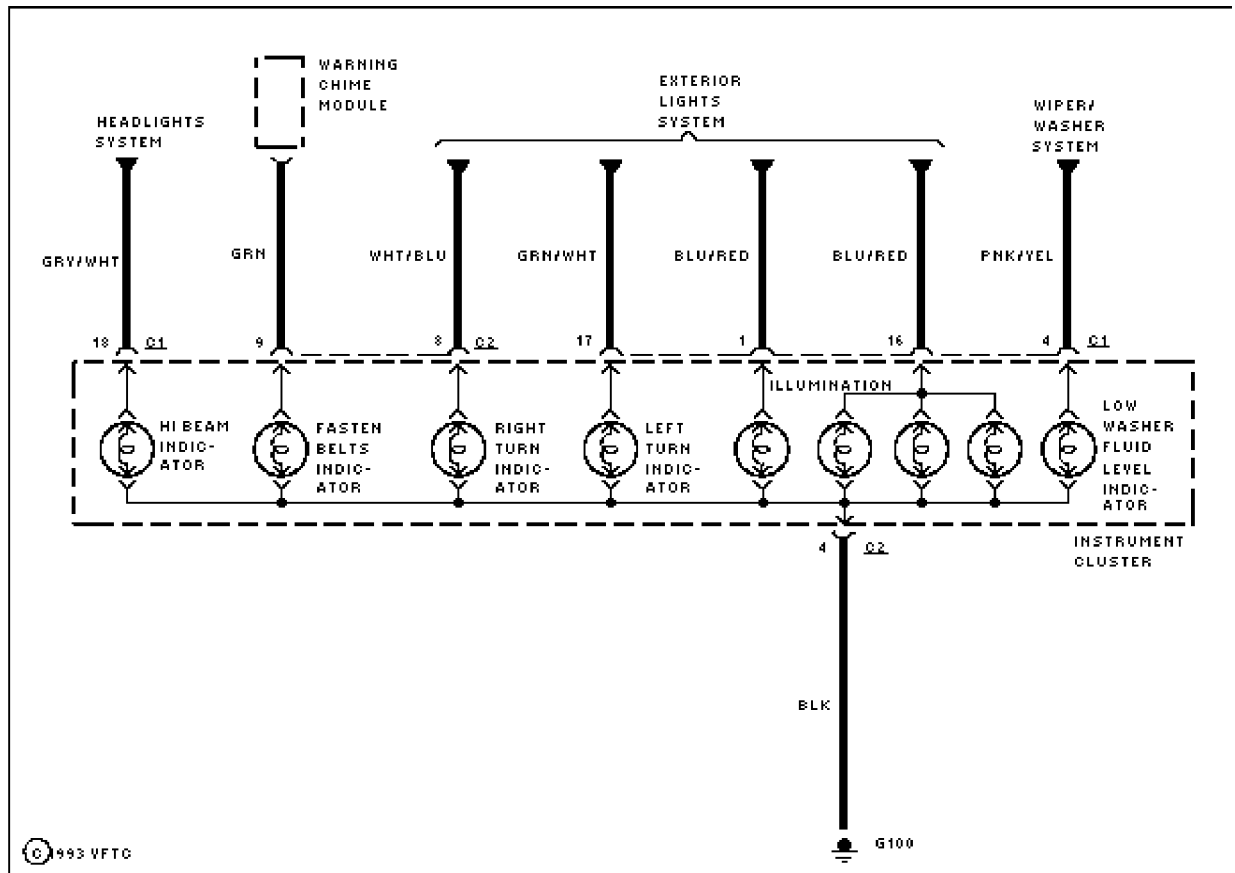


Fig. 60: Analog Indicators (3 of 4)

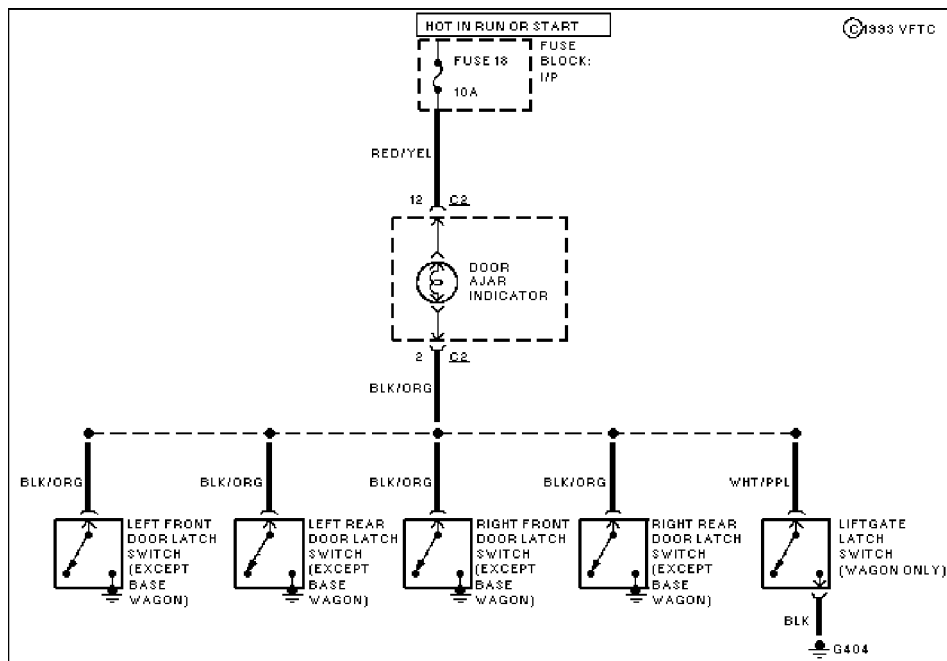


Fig. 61: Analog Indicators (4 of 4)

ELECTRONIC CLUSTER (EXCEPT SHO)

# SUB-CIRCUIT DIAGRAMS

## Selected Block (p. 4)

1990 Ford Taurus

For <http://www.mitchell.narod.ru/>

Copyright © 1997 Mitchell International

Friday, March 02, 2001 02:16PM

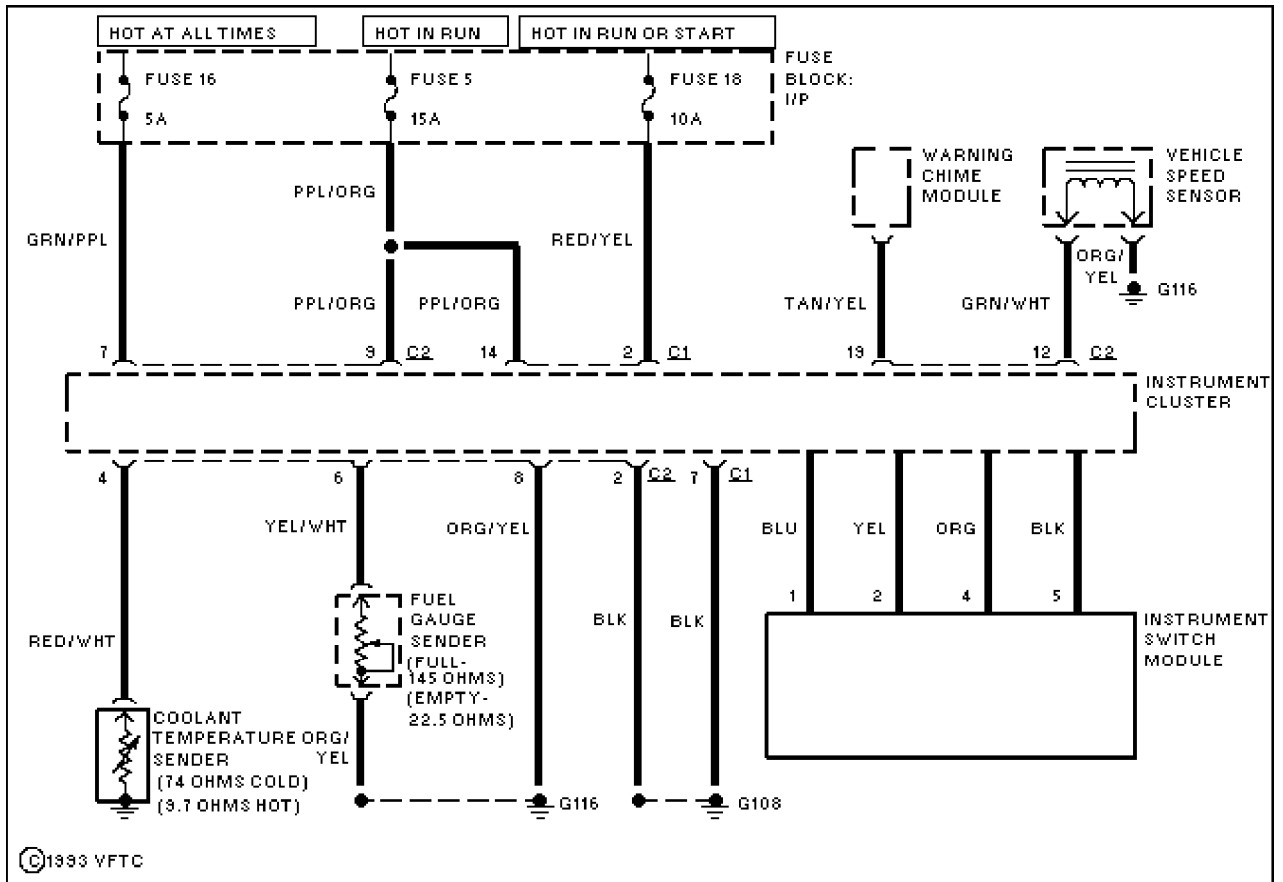


Fig. 62: Electronic Gauges (Except SHO)

**SUB-CIRCUIT DIAGRAMS**  
**Selected Block (p. 5)**  
 1990 Ford Taurus  
 For <http://www.mitchell.narod.ru/>  
 Copyright © 1997 Mitchell International  
 Friday, March 02, 2001 02:16PM

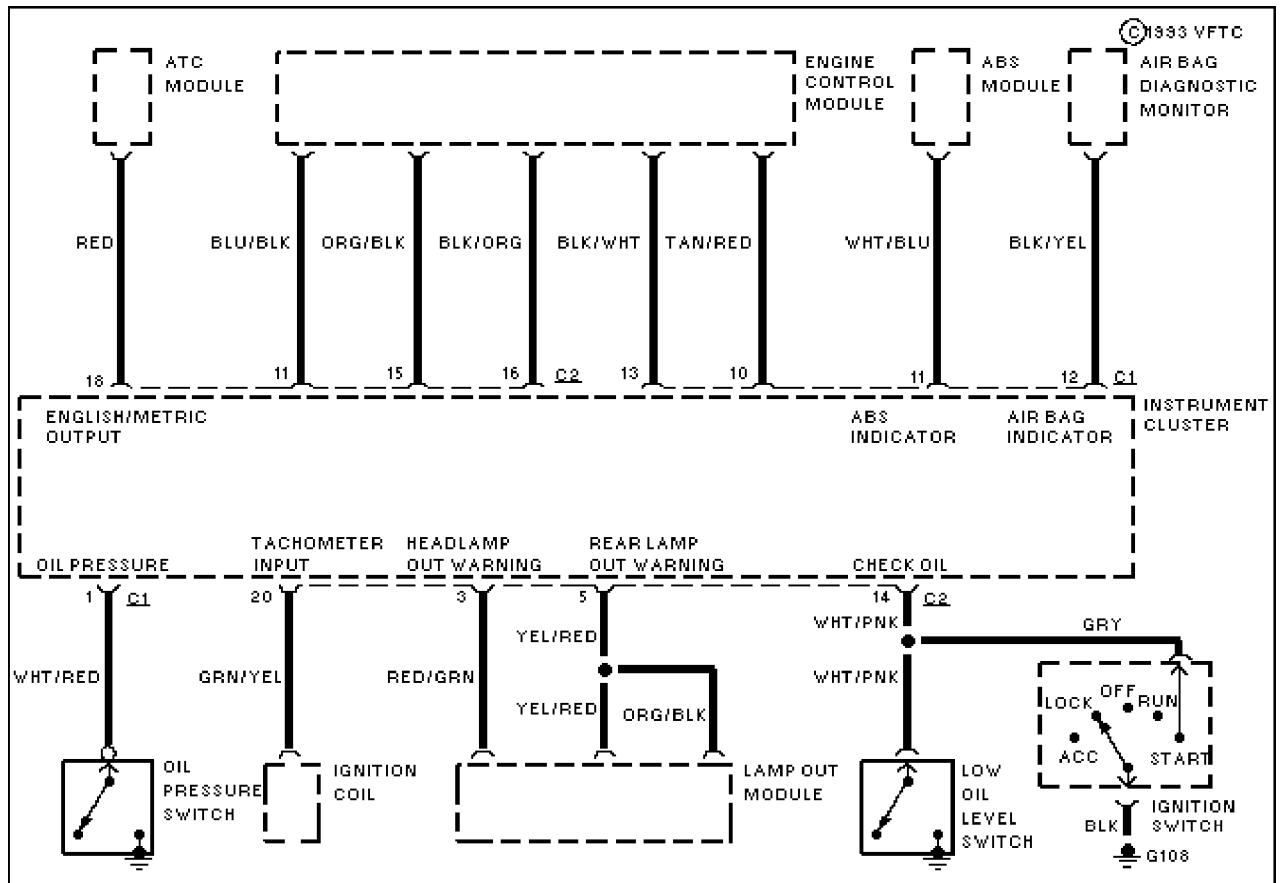


Fig. 63: Electronic Indicators (Except SHO) (1 of 4)

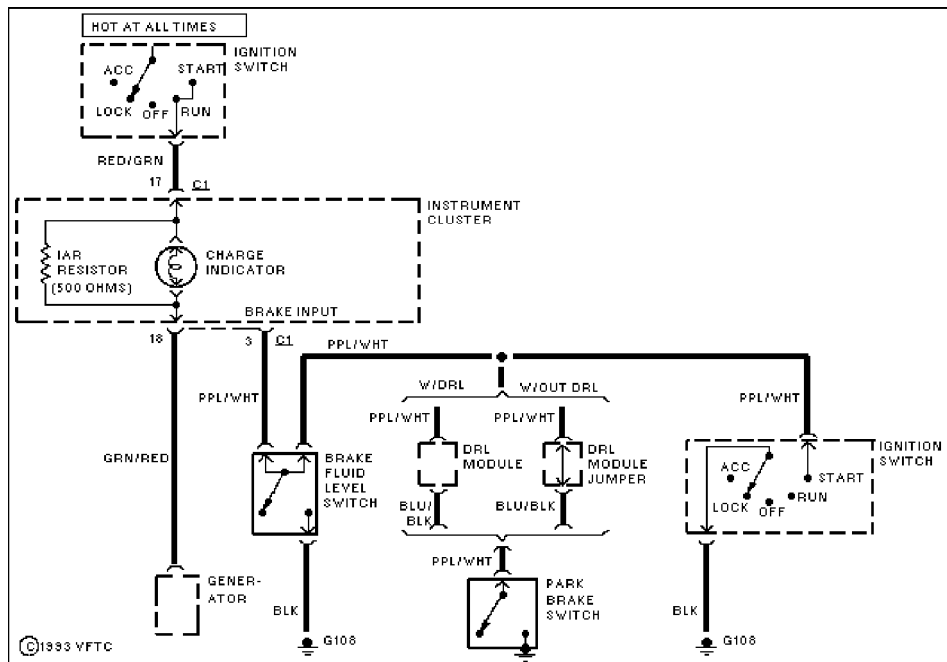


Fig. 64: Electronic Indicators (Except SHO) (2 of 4)

**SUB-CIRCUIT DIAGRAMS**  
**Selected Block (p. 6)**  
 1990 Ford Taurus  
 For <http://www.mitchell.narod.ru/>  
 Copyright © 1997 Mitchell International  
 Friday, March 02, 2001 02:16PM

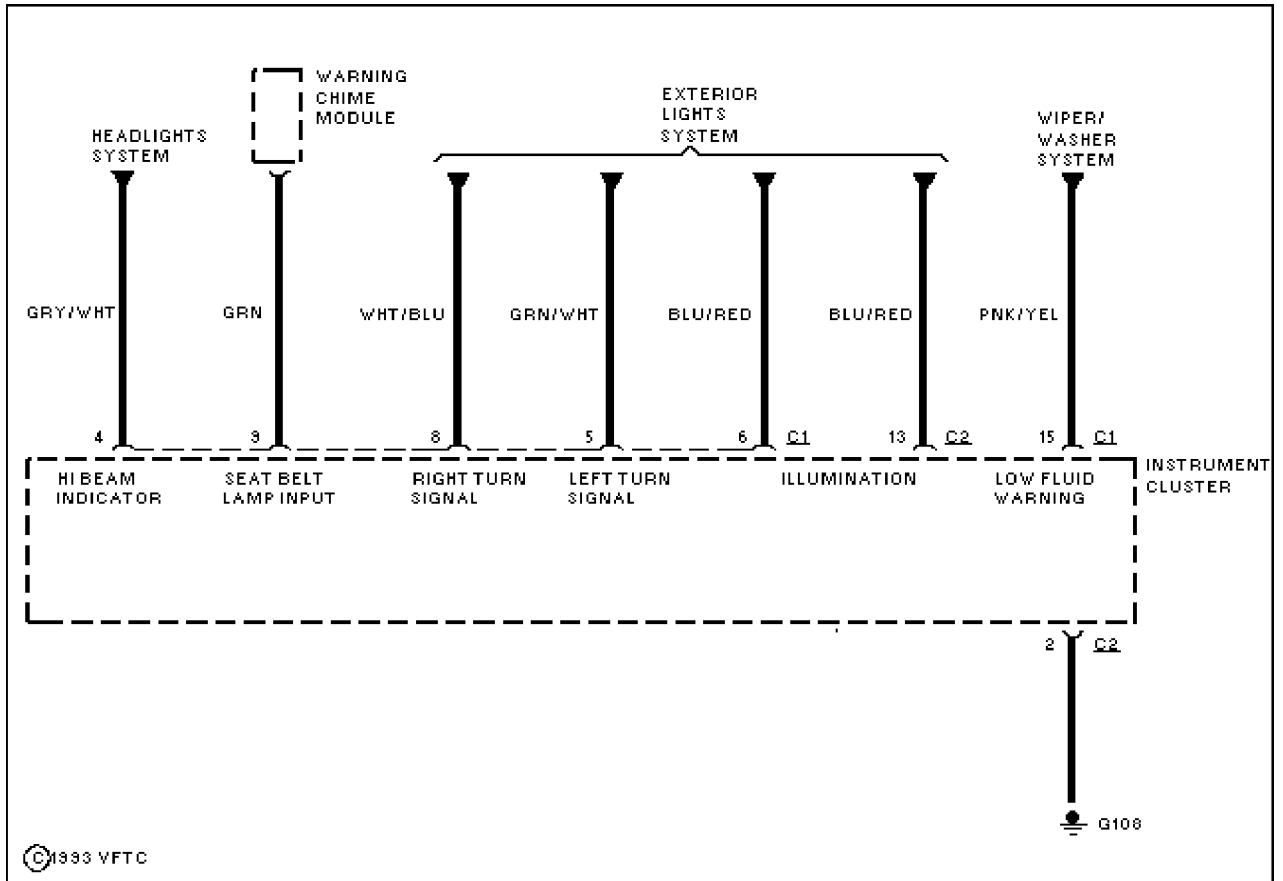


Fig. 65: Electronic Indicators (Except SHO) (3 of 4)

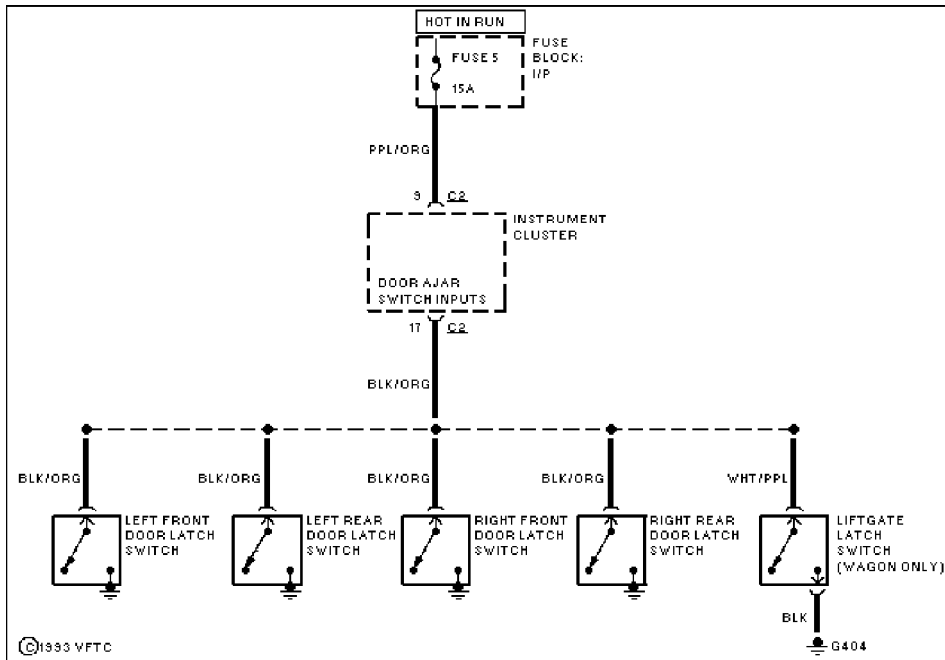


Fig. 66: Electronic Indicators (Except SHO) (4 of 4)