

SUB-CIRCUIT DIAGRAMS

Selected Block

1990 Ford Taurus

For <http://www.mitchell.narod.ru/>

Copyright © 1997 Mitchell International

Friday, March 02, 2001 02:16PM

STARTING/CHARGING SYSTEM

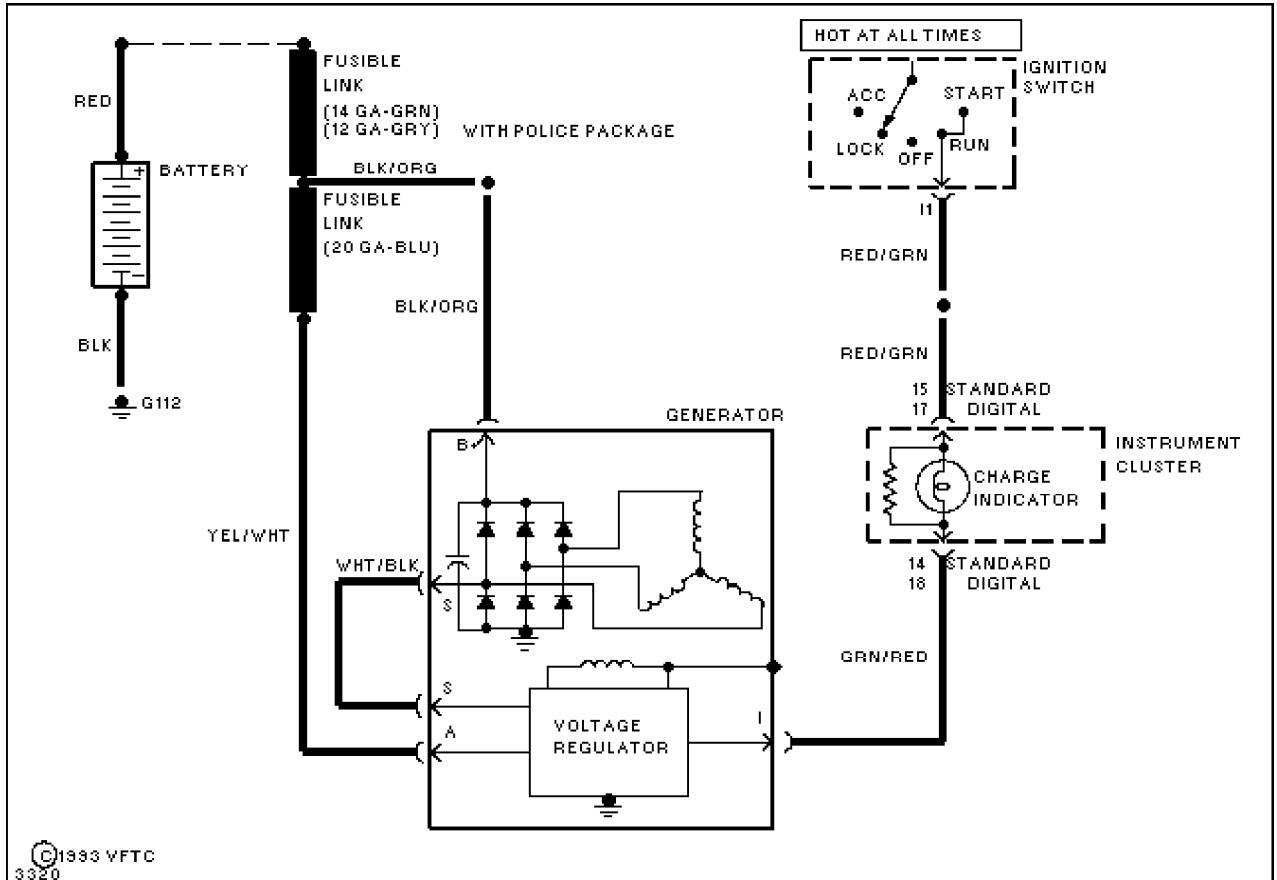


Fig. 74: Starting/Charging Circuit (2.5L)

SUB-CIRCUIT DIAGRAMS

Selected Block (p. 2)

1990 Ford Taurus

For <http://www.mitchell.narod.ru/>

Copyright © 1997 Mitchell International

Friday, March 02, 2001 02:16PM

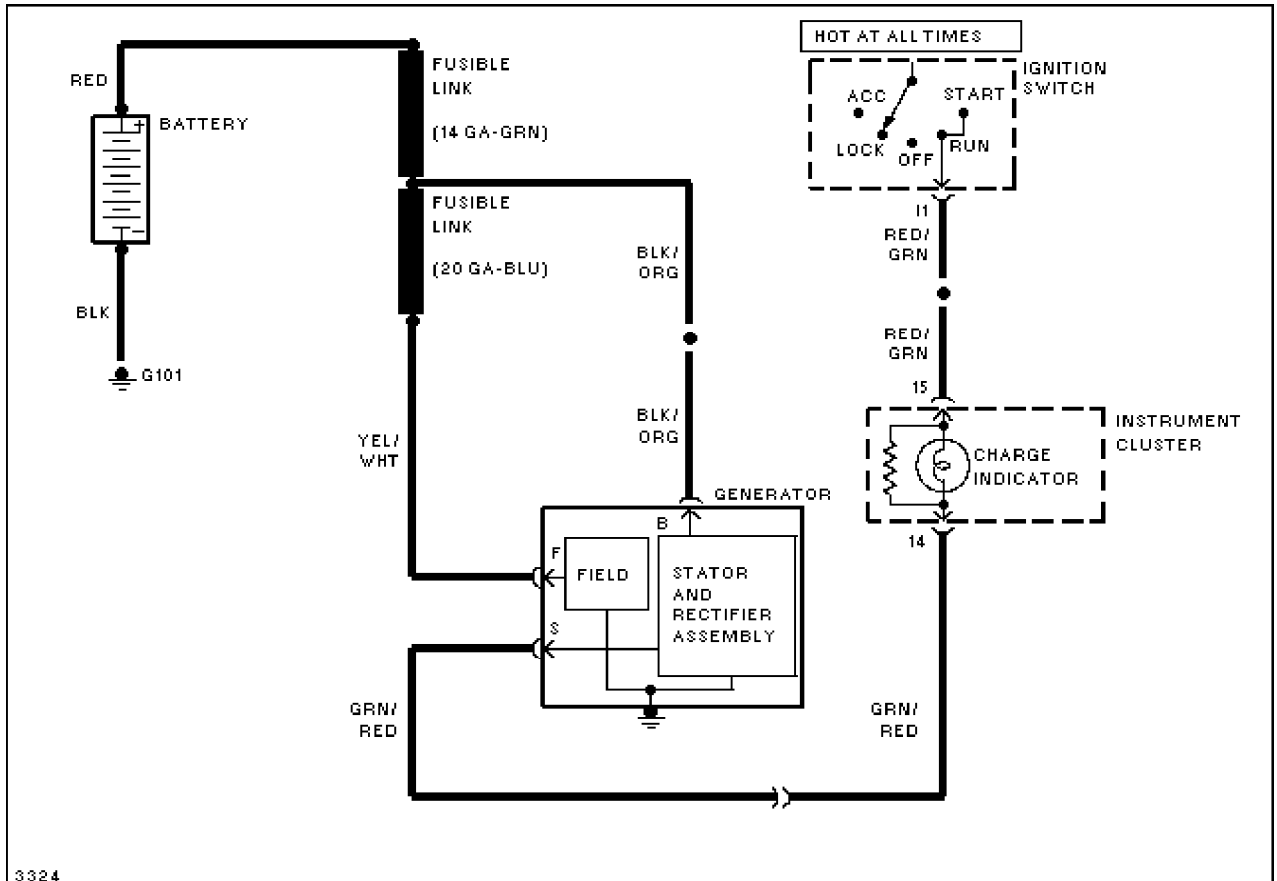


Fig. 75: Starting/Charging Circuit (3.0L SHO)

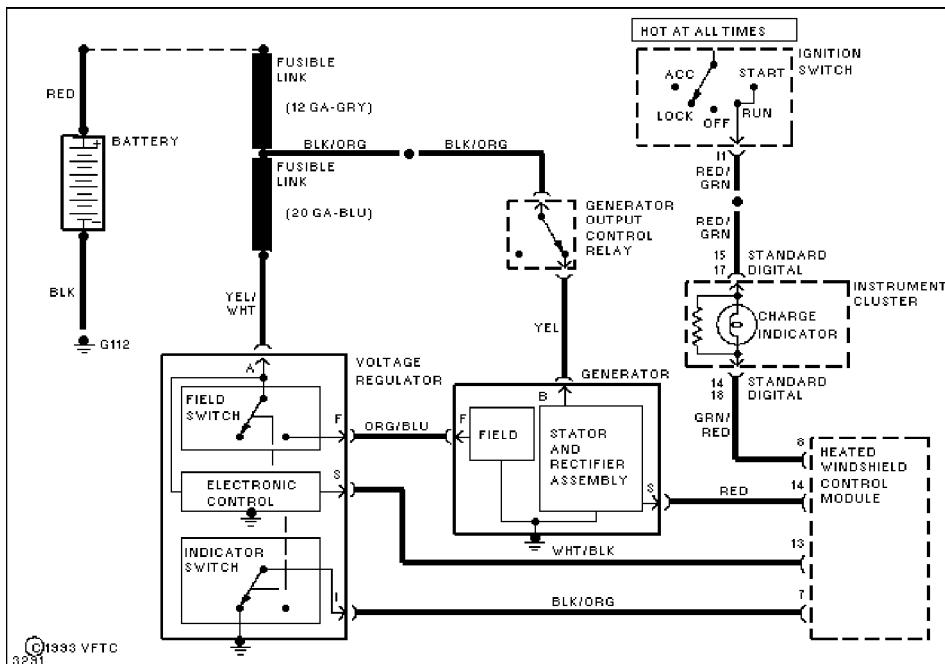


Fig. 76: Starting/Charging Circuit (3.0L W/ Heated Windshield)

SUB-CIRCUIT DIAGRAMS

Selected Block (p. 3)

1990 Ford Taurus

For <http://www.mitchell.narod.ru/>

Copyright © 1997 Mitchell International

Friday, March 02, 2001 02:16PM

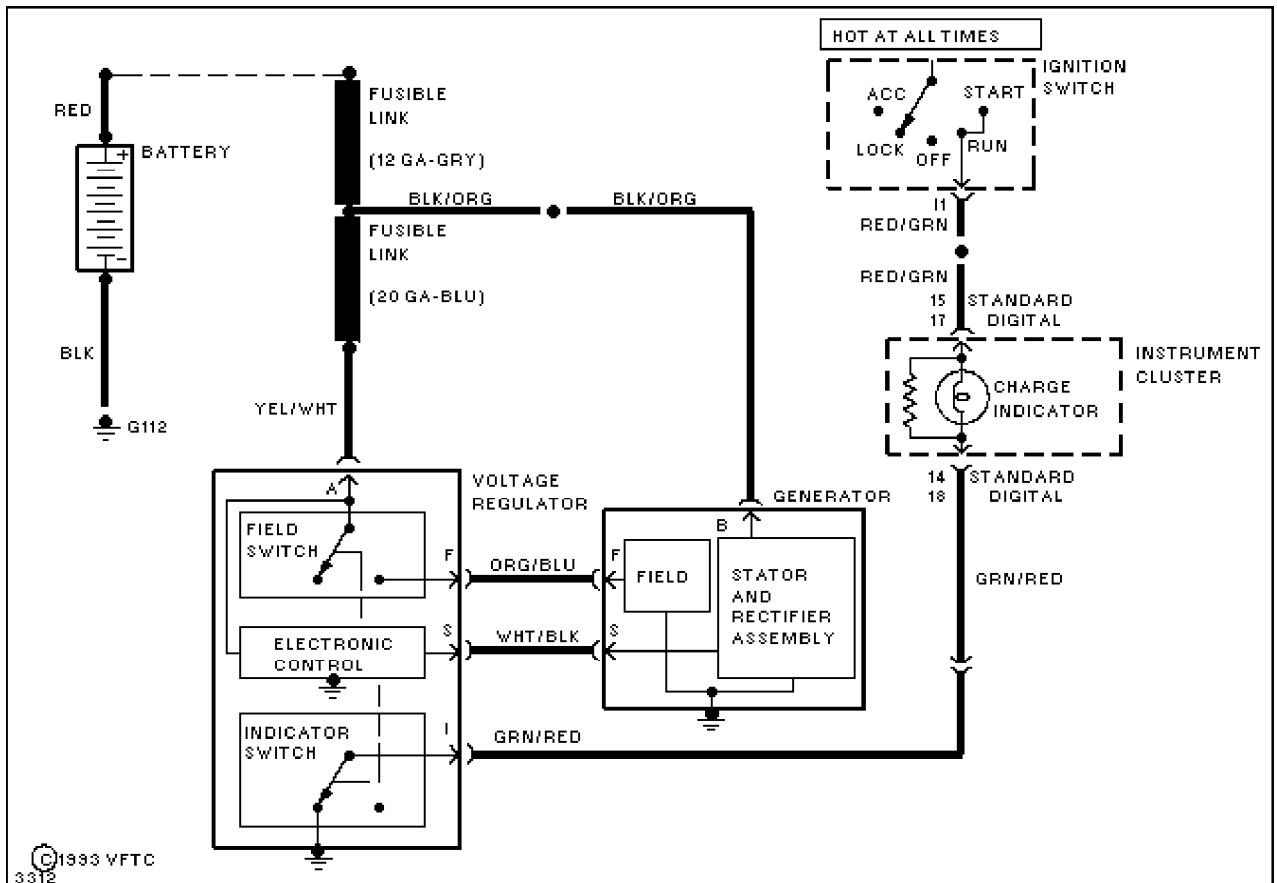


Fig. 77: Starting/Charging Circuit (3.0L W/O Heated Windshield)

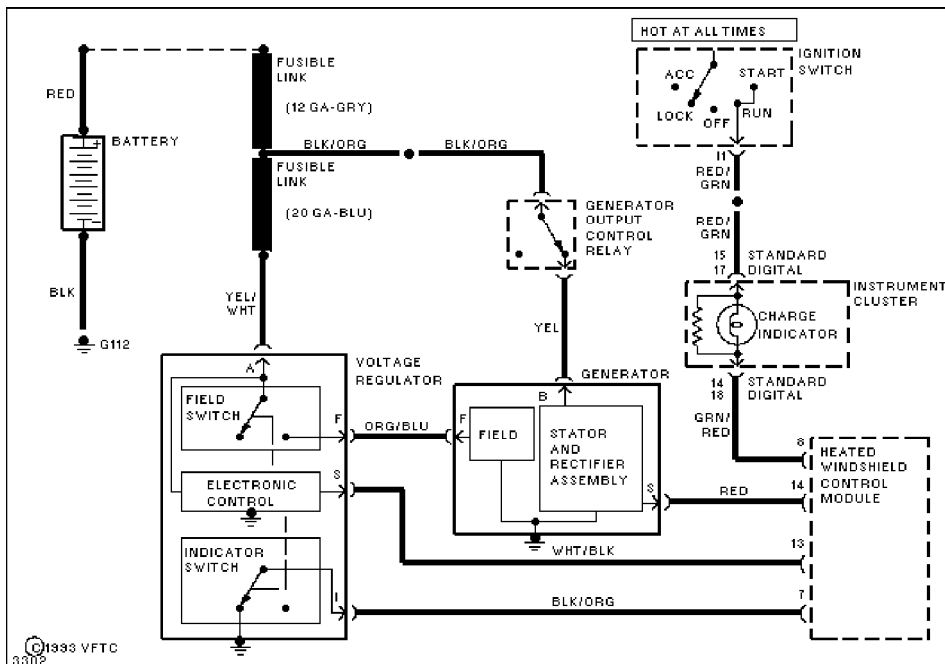


Fig. 78: Starting/Charging Circuit (3.8L W/ Heated Windshield)

SUB-CIRCUIT DIAGRAMS

Selected Block (p. 4)

1990 Ford Taurus

For <http://www.mitchell.narod.ru/>

Copyright © 1997 Mitchell International

Friday, March 02, 2001 02:16PM

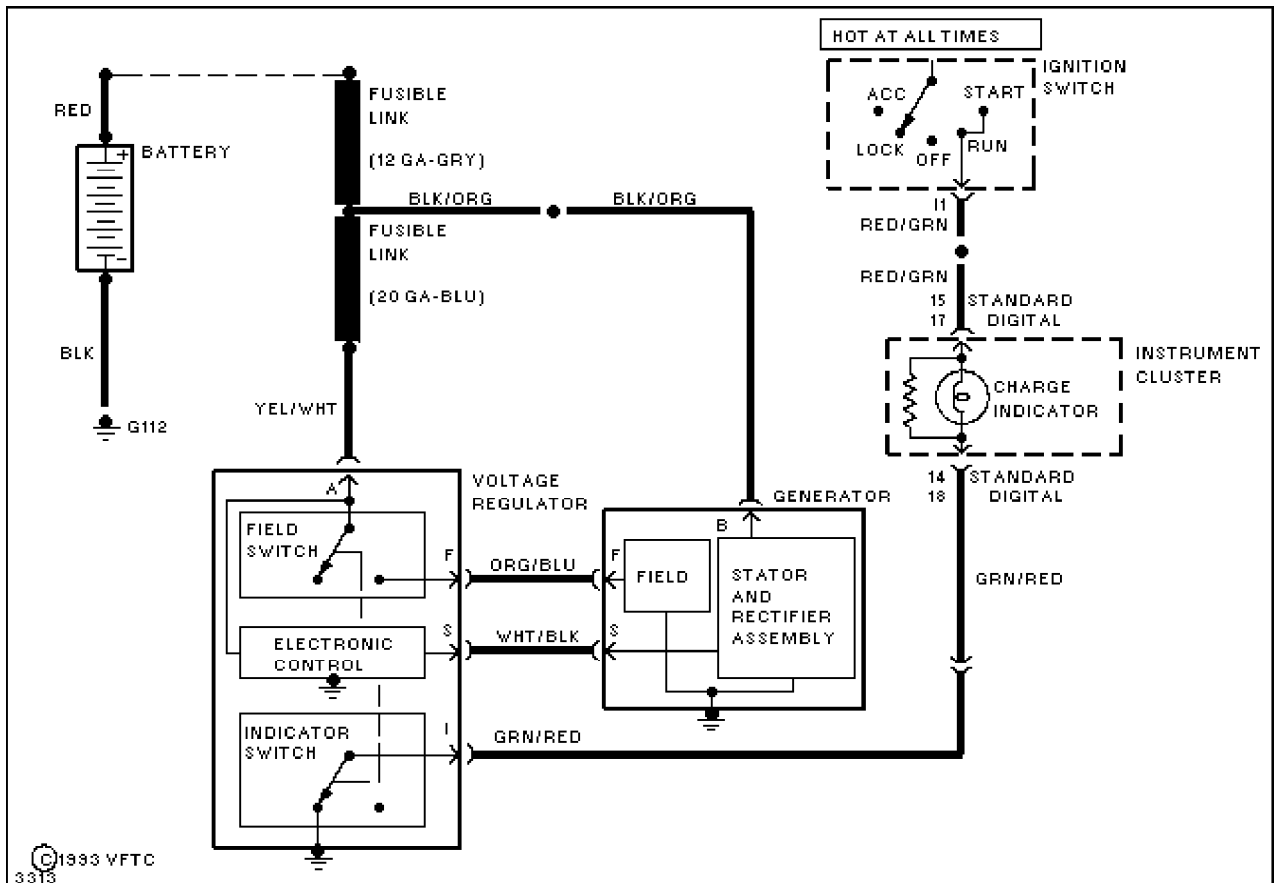


Fig. 79: Starting/Charging Circuit (3.8L W/O Heated Windshield)