

# SYSTEM WIRING DIAGRAMS

## Selected Block

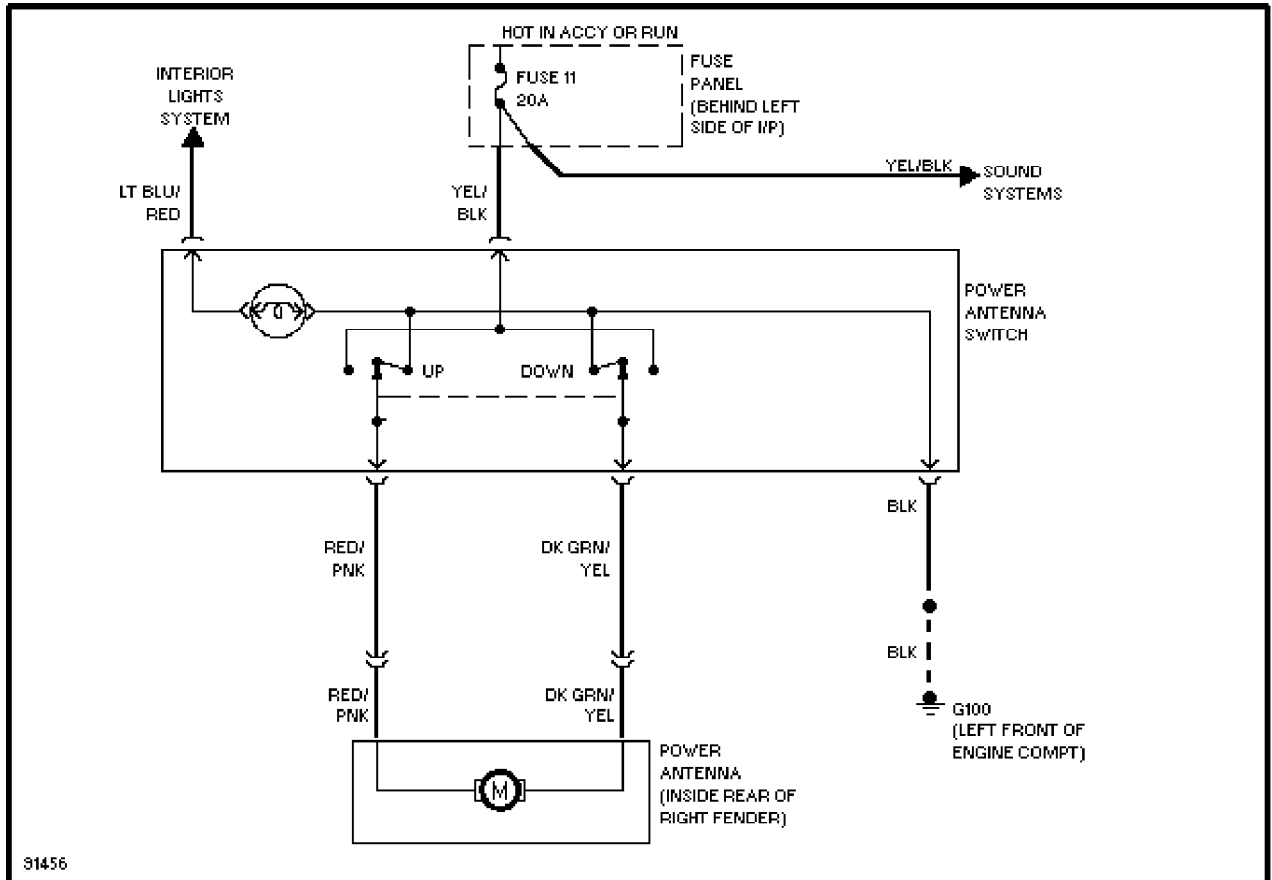
1990 Ford Taurus

For <http://www.mitchell.narod.ru/>

Copyright © 1997 Mitchell International

Friday, March 02, 2001 02:18PM

### POWER ANTENNA



Power Antenna Circuit

### POWER DOOR LOCKS

# SYSTEM WIRING DIAGRAMS

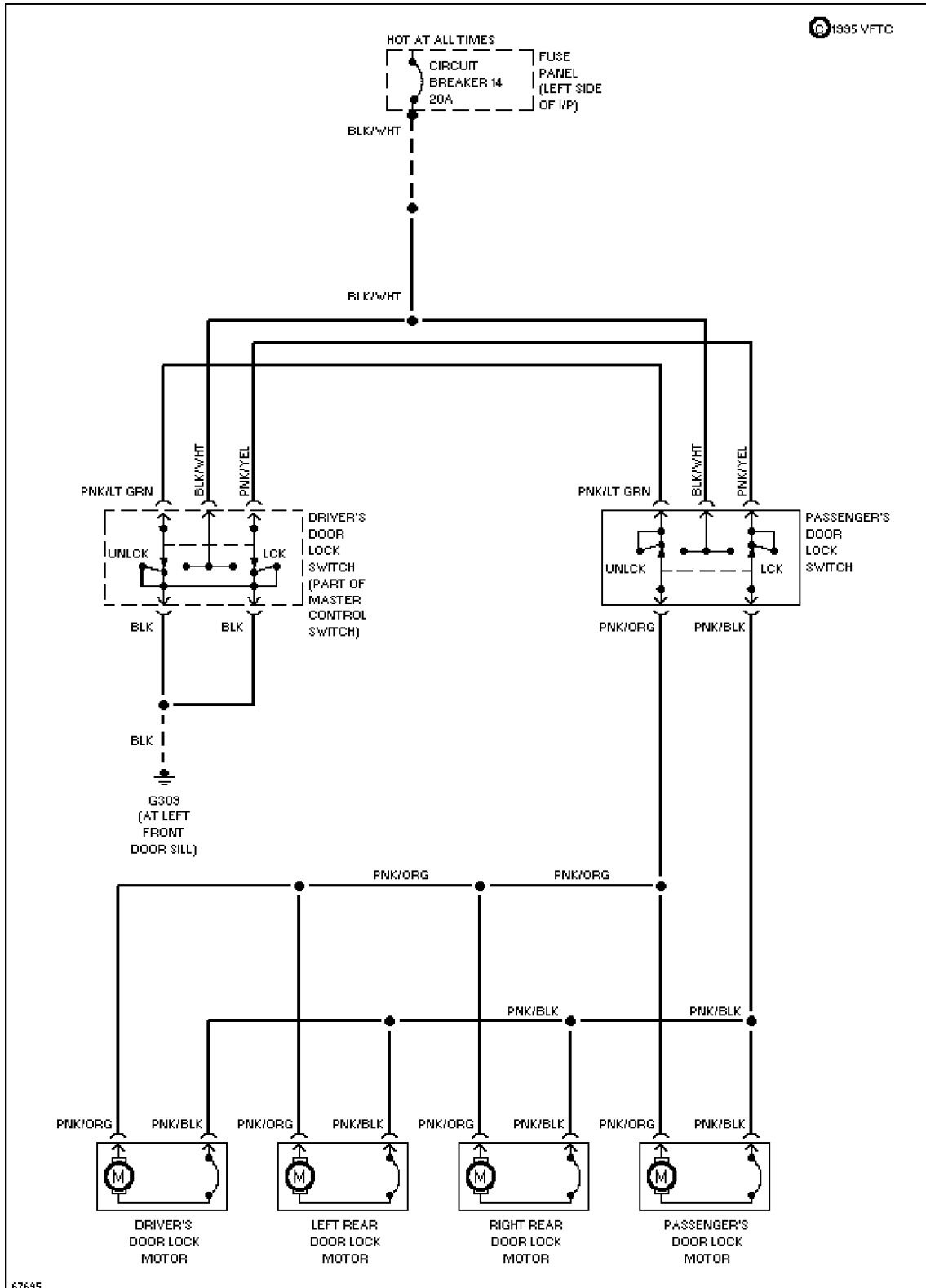
## Selected Block (p. 2)

1990 Ford Taurus

For <http://www.mitchell.narod.ru/>

Copyright © 1997 Mitchell International

Friday, March 02, 2001 02:18PM



Door Lock Circuit

# SYSTEM WIRING DIAGRAMS

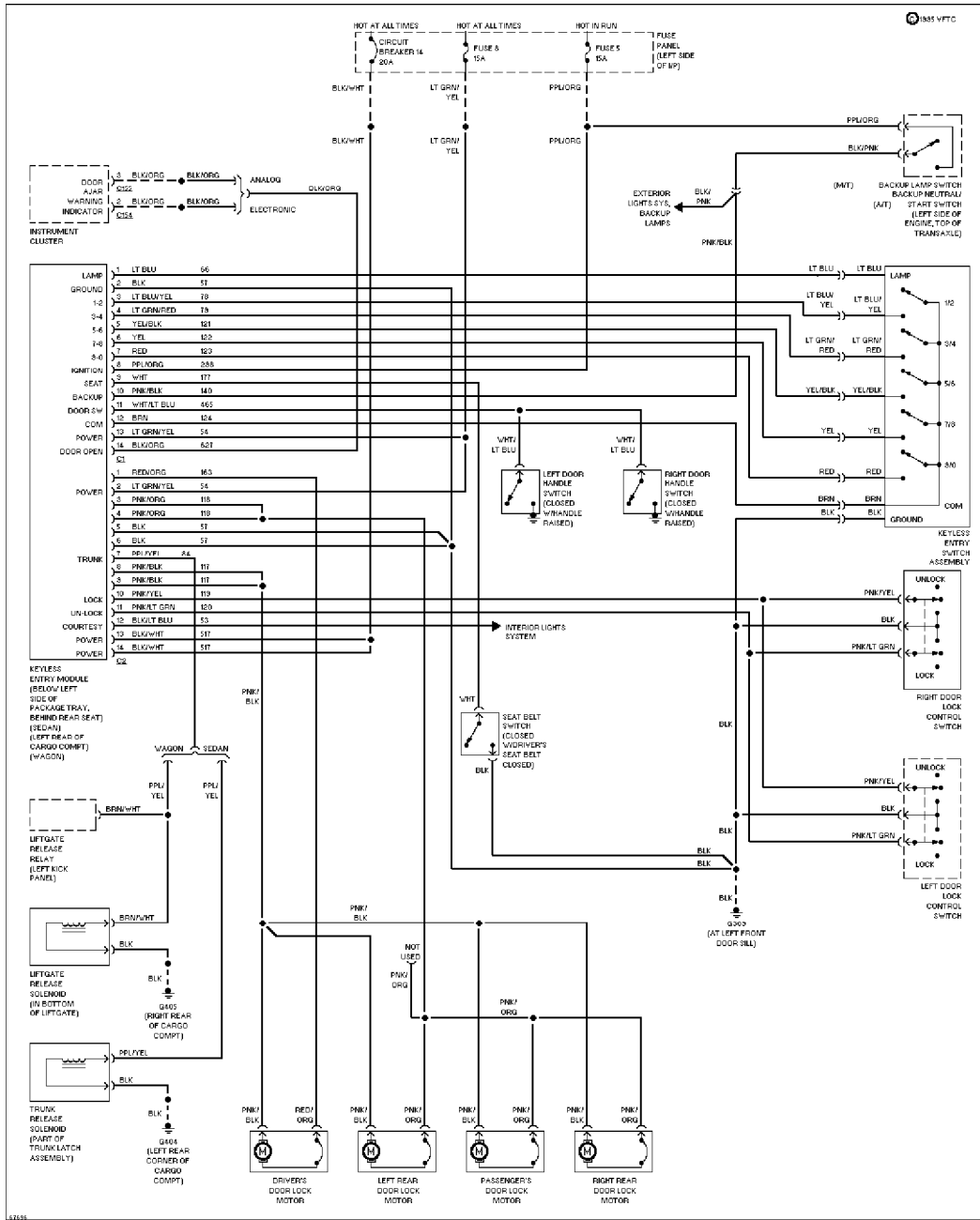
## Selected Block (p. 3)

1990 Ford Taurus

For <http://www.mitchell.narod.ru/>

Copyright © 1997 Mitchell International

Friday, March 02, 2001 02:18PM



Keyless Entry Circuit

## POWER MIRRORS

# SYSTEM WIRING DIAGRAMS

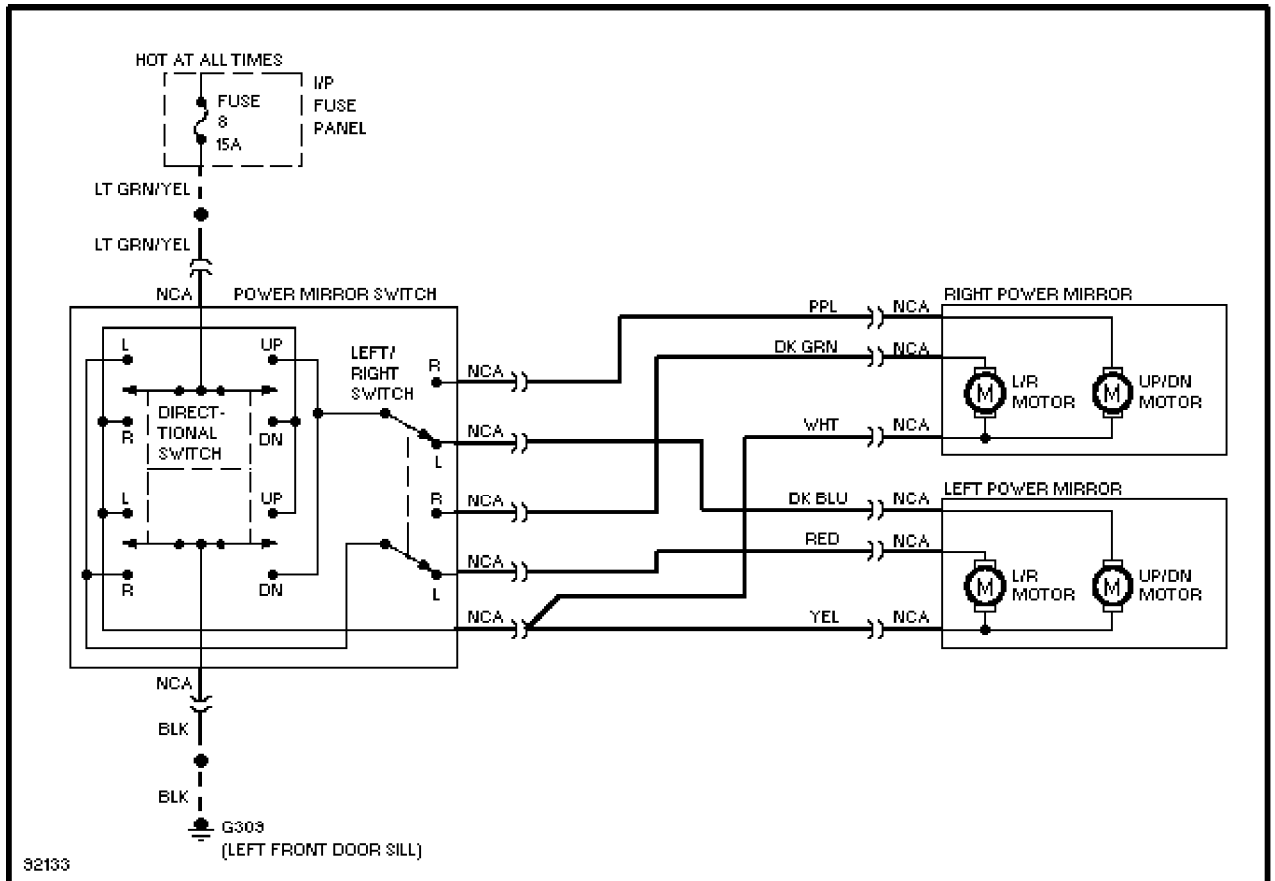
## Selected Block (p. 4)

1990 Ford Taurus

For <http://www.mitchell.narod.ru/>

Copyright © 1997 Mitchell International

Friday, March 02, 2001 02:18PM



Power Mirror Circuit

## POWER SEATS

# SYSTEM WIRING DIAGRAMS

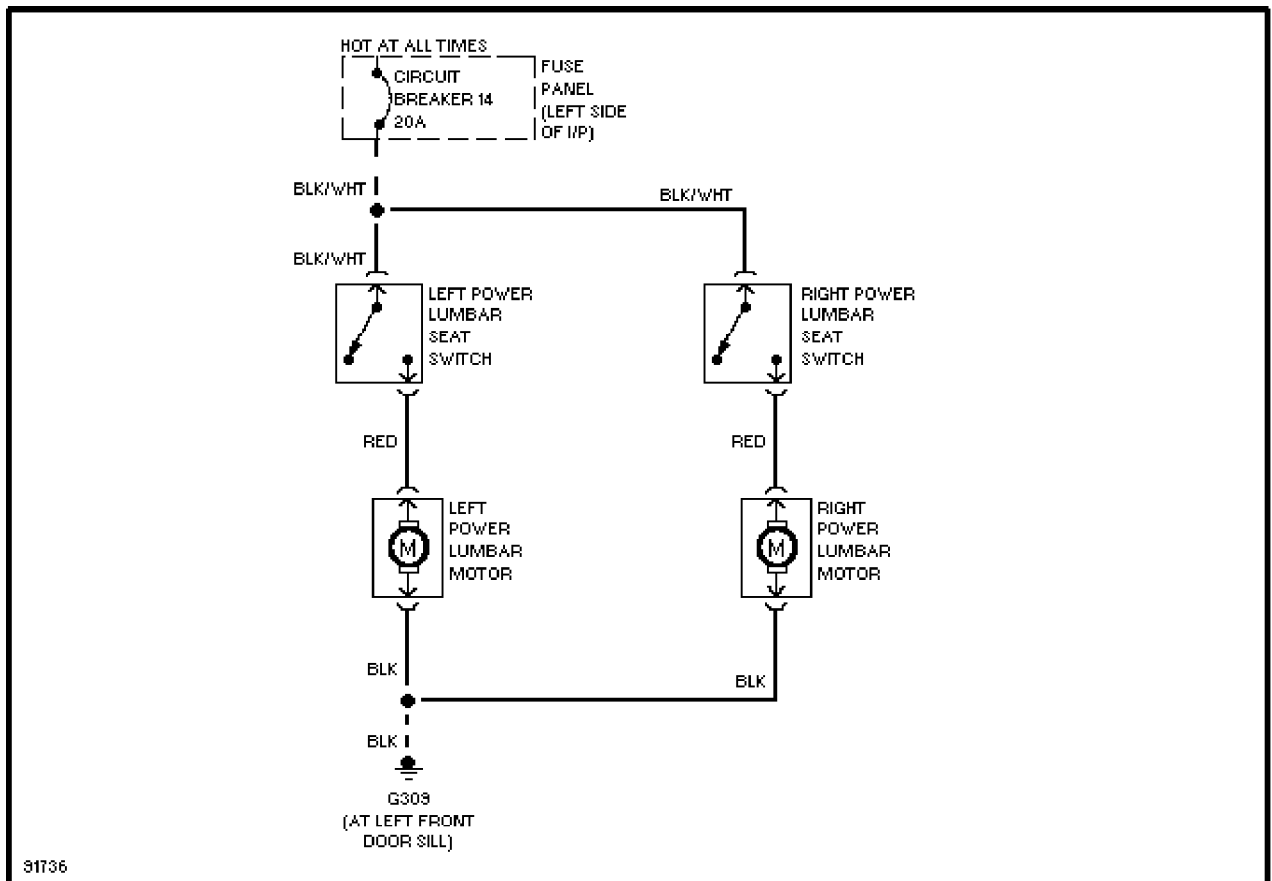
## Selected Block (p. 5)

1990 Ford Taurus

For <http://www.mitchell.narod.ru/>

Copyright © 1997 Mitchell International

Friday, March 02, 2001 02:18PM



Lumbar Circuit

# SYSTEM WIRING DIAGRAMS

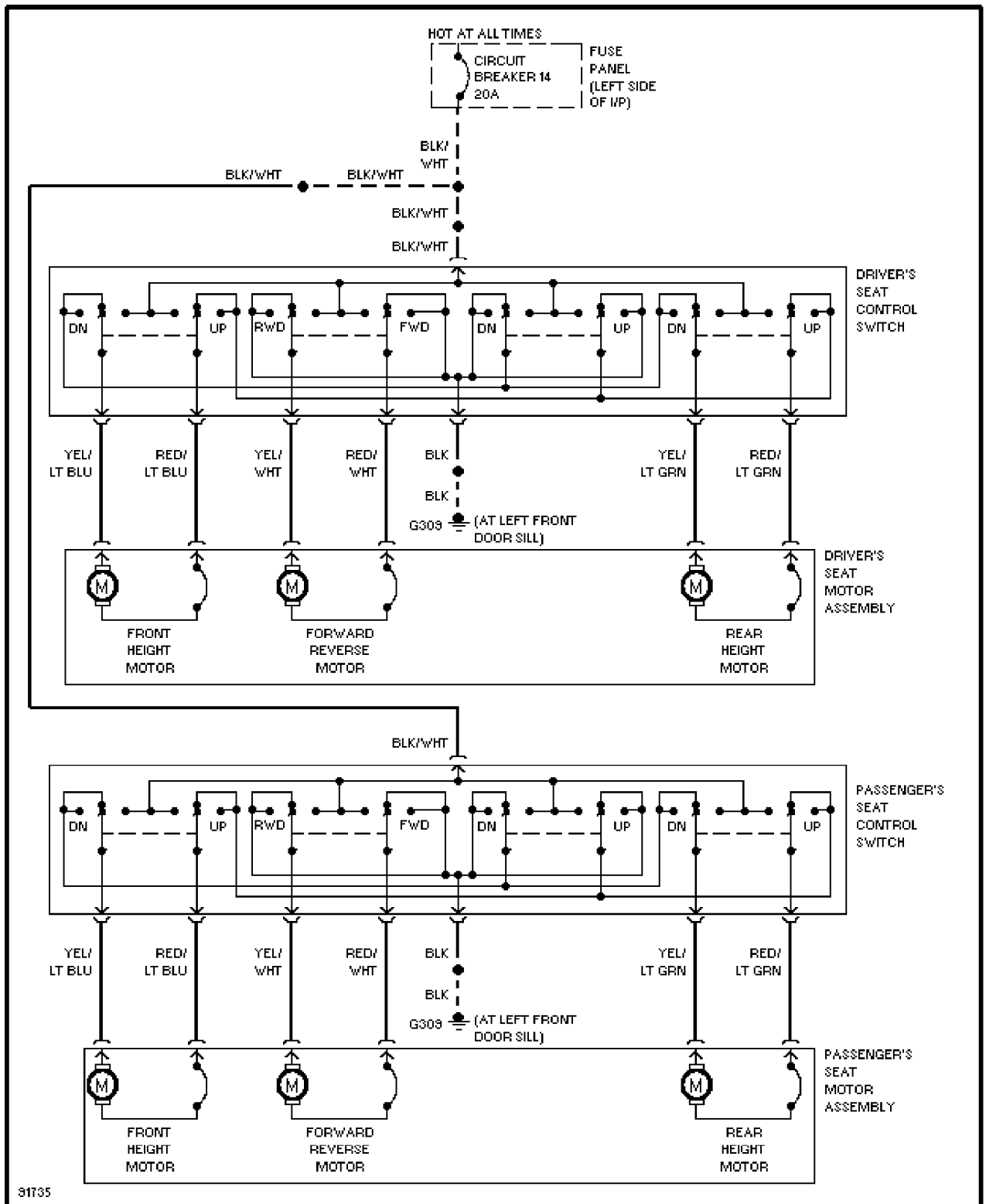
## Selected Block (p. 6)

1990 Ford Taurus

For <http://www.mitchell.narod.ru/>

Copyright © 1997 Mitchell International

Friday, March 02, 2001 02:18PM



Power Seat Circuit