

SYSTEM WIRING DIAGRAMS

Selected Block

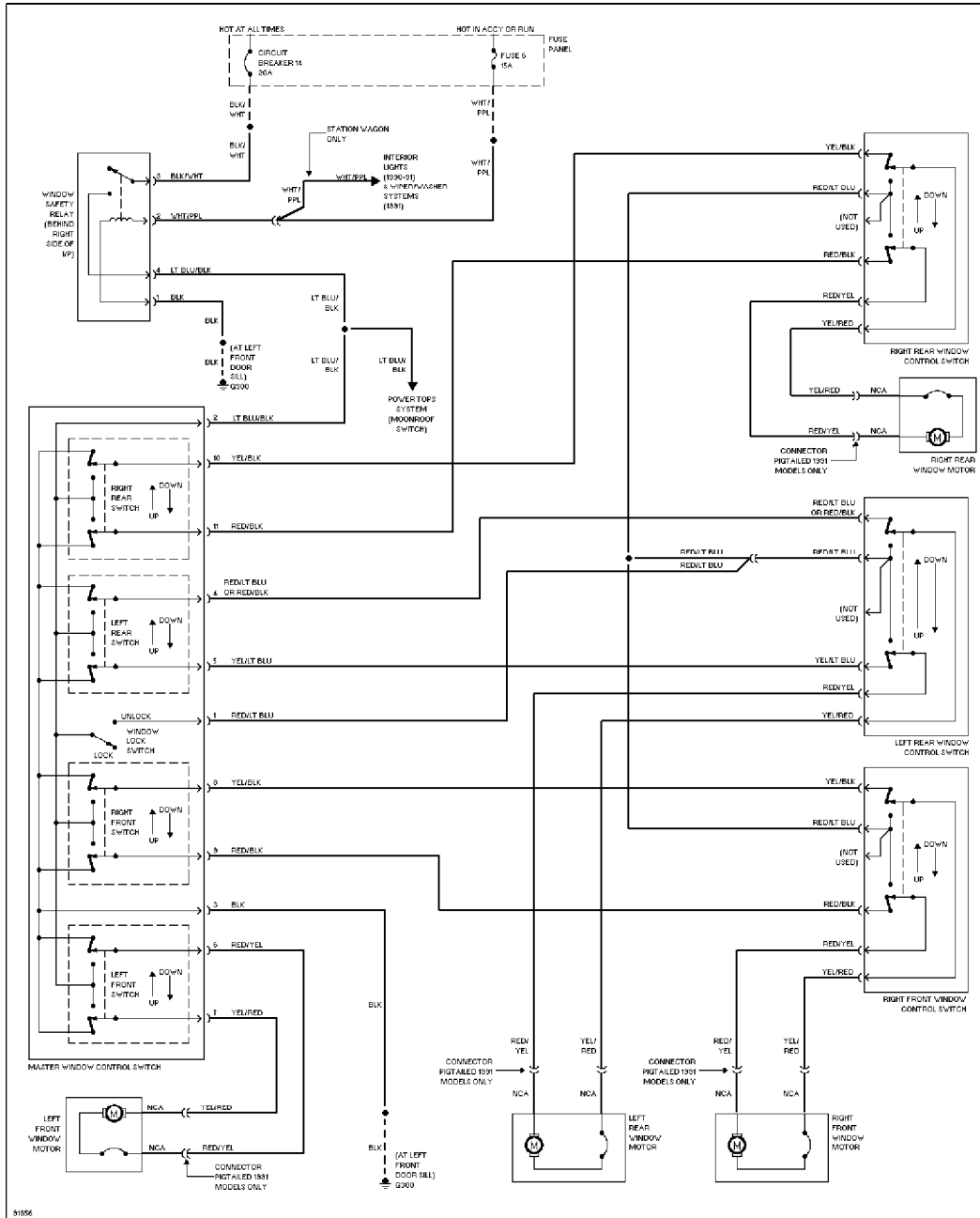
1990 Ford Taurus

For <http://www.mitchell.narod.ru/>

Copyright © 1997 Mitchell International

Friday, March 02, 2001 02:19PM

POWER WINDOWS



Power Window Circuit

RADIO

SYSTEM WIRING DIAGRAMS

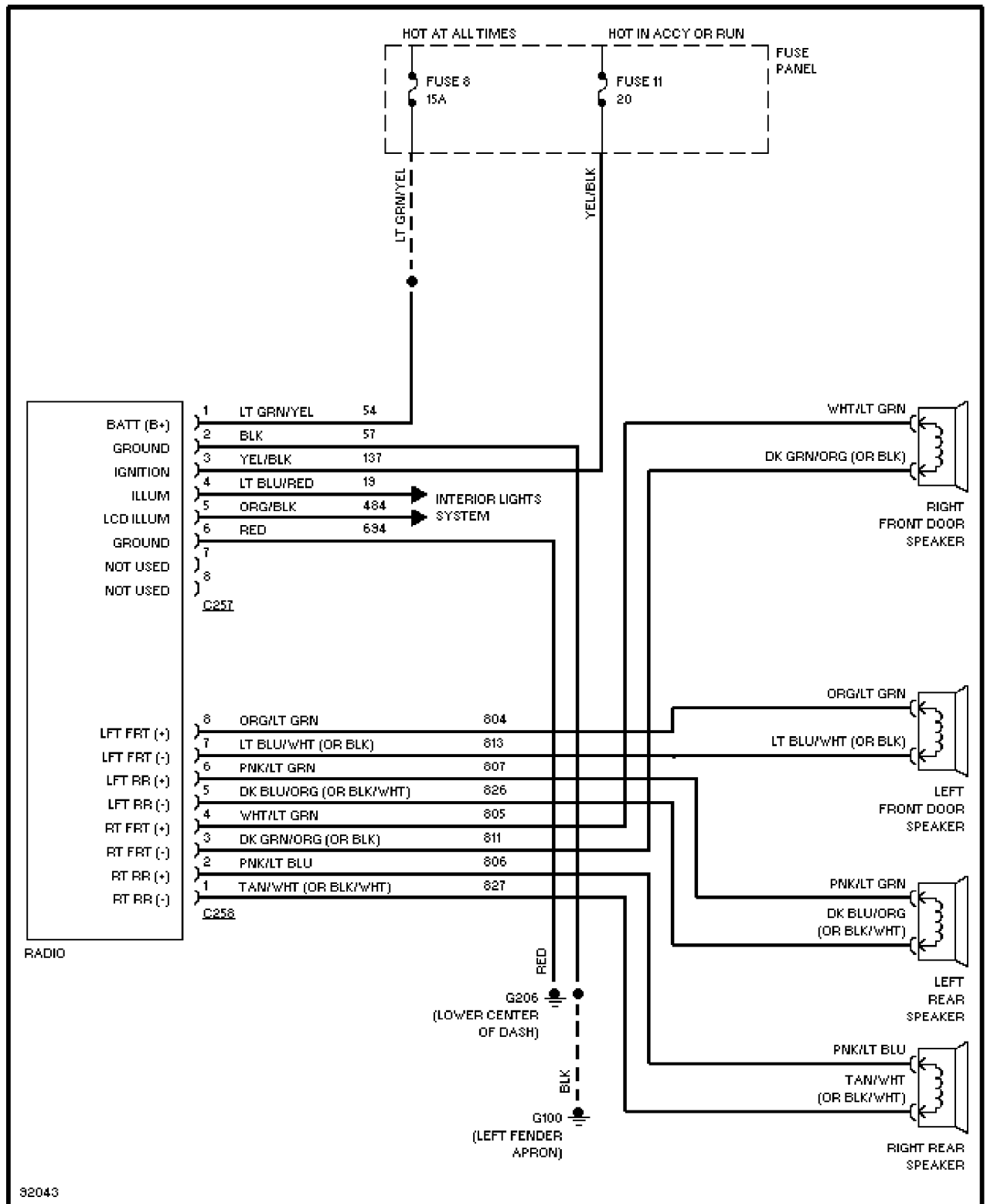
Selected Block (p. 2)

1990 Ford Taurus

For <http://www.mitchell.narod.ru/>

Copyright © 1997 Mitchell International

Friday, March 02, 2001 02:19PM



SYSTEM WIRING DIAGRAMS

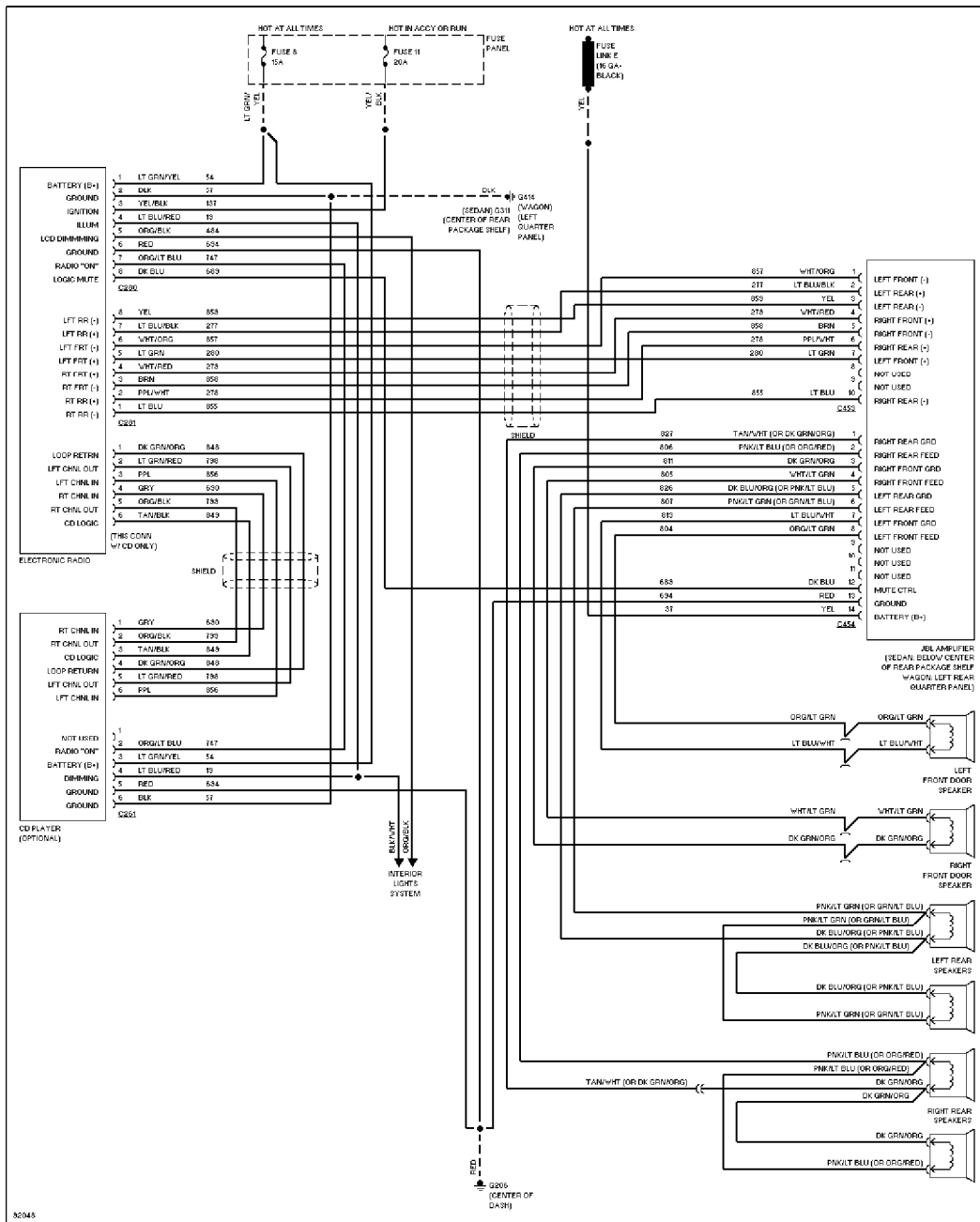
Selected Block (p. 3)

1990 Ford Taurus

For <http://www.mitchell.narod.ru/>

Copyright © 1997 Mitchell International

Friday, March 02, 2001 02:19PM



Radio Circuits, JBL System

SYSTEM WIRING DIAGRAMS

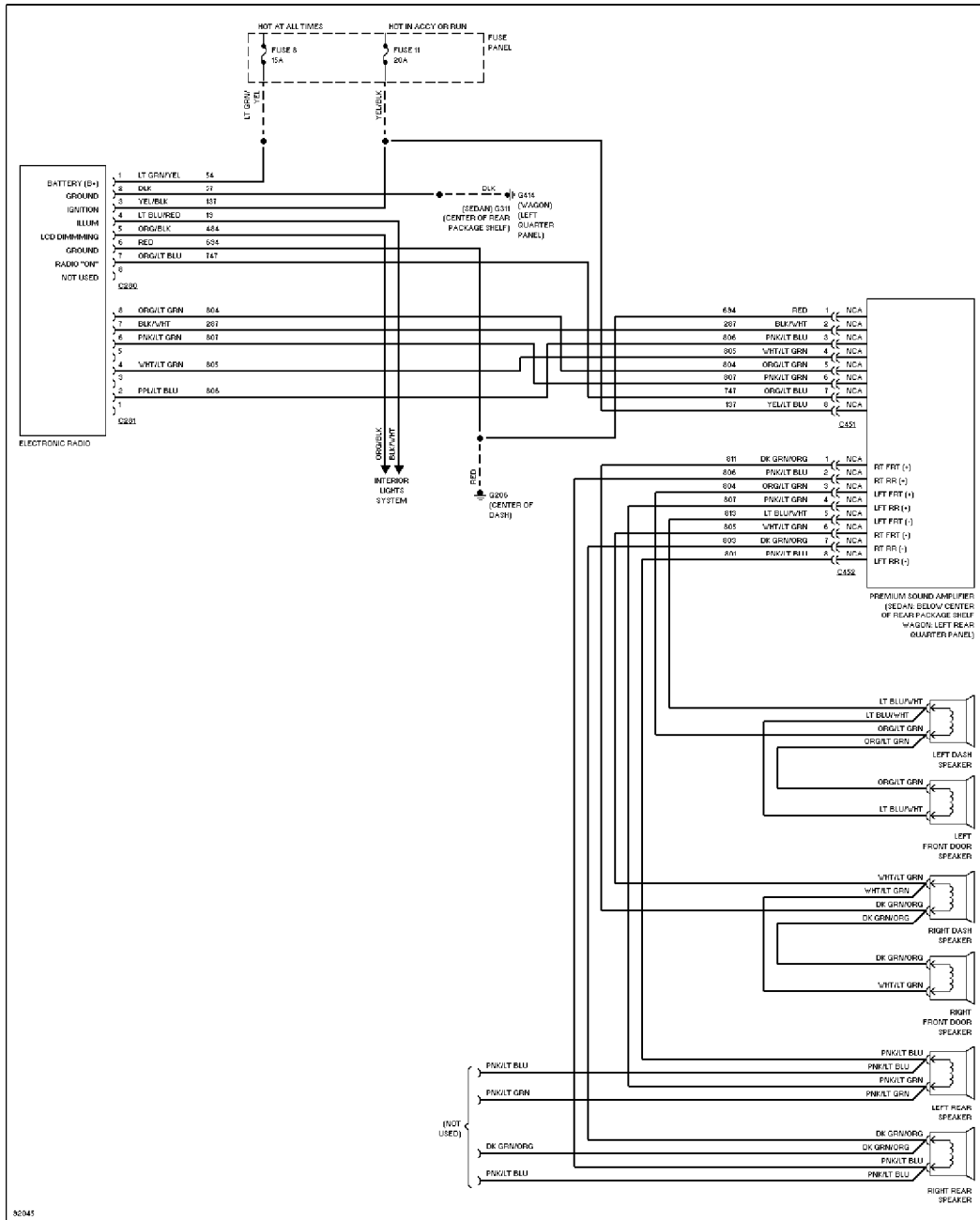
Selected Block (p. 4)

1990 Ford Taurus

For <http://www.mitchell.narod.ru/>

Copyright © 1997 Mitchell International

Friday, March 02, 2001 02:19PM



Radio Circuits, Premium Radio

STARTING/CHARGING

2.5L

SYSTEM WIRING DIAGRAMS

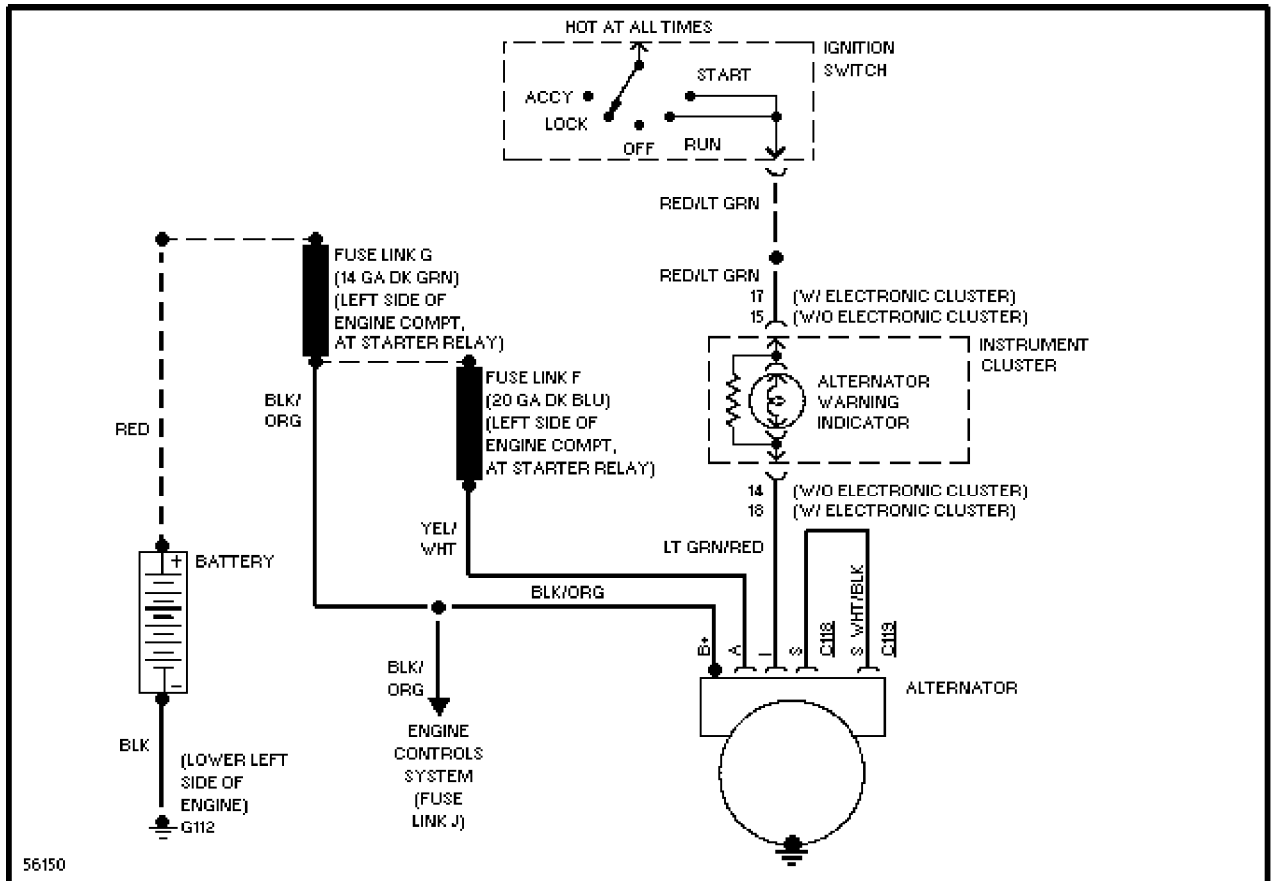
Selected Block (p. 5)

1990 Ford Taurus

For <http://www.mitchell.narod.ru/>

Copyright © 1997 Mitchell International

Friday, March 02, 2001 02:19PM



2.5L, Charging Circuit

SYSTEM WIRING DIAGRAMS

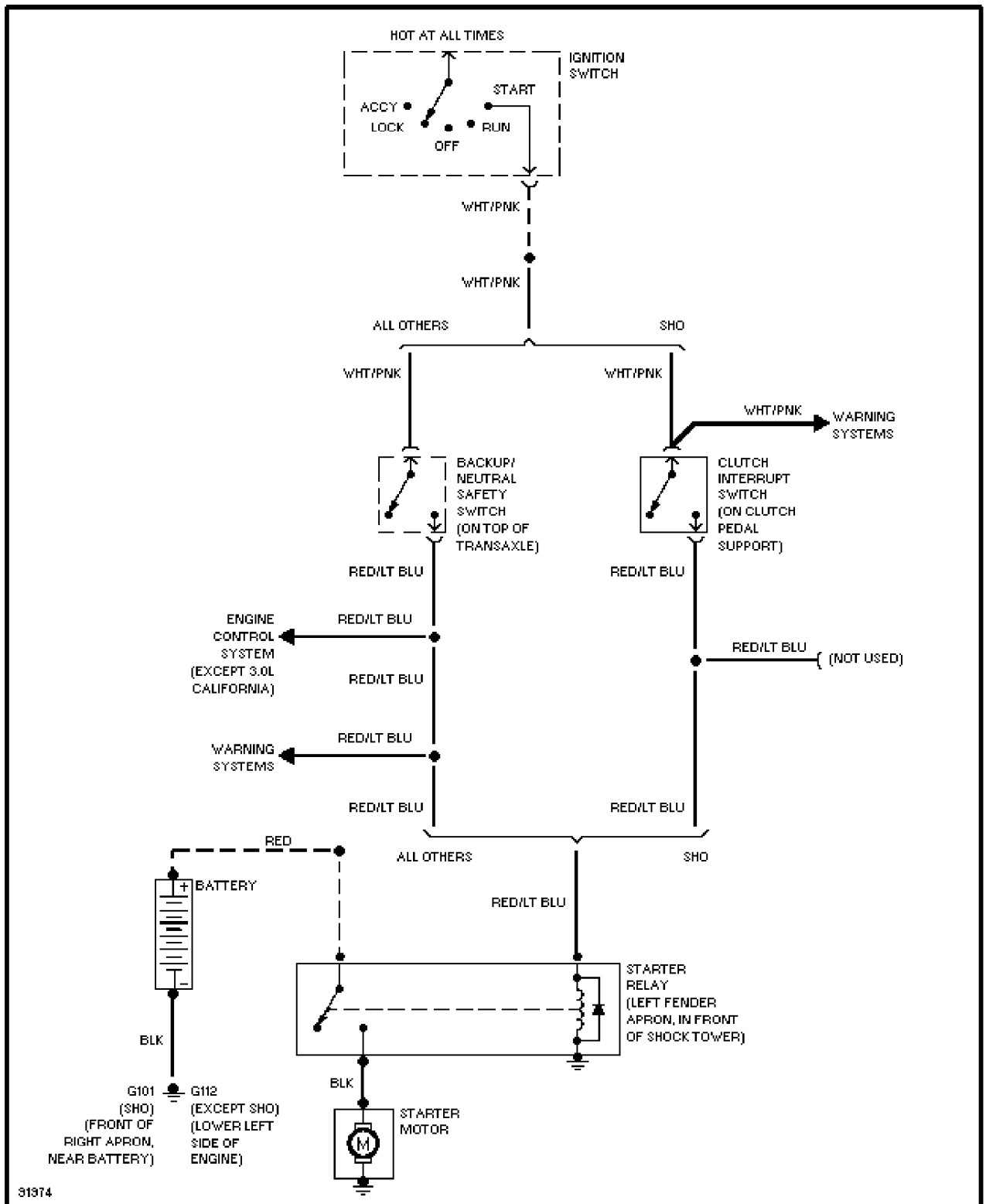
Selected Block (p. 6)

1990 Ford Taurus

For <http://www.mitchell.narod.ru/>

Copyright © 1997 Mitchell International

Friday, March 02, 2001 02:19PM



Starting Circuit

3.0L

SYSTEM WIRING DIAGRAMS

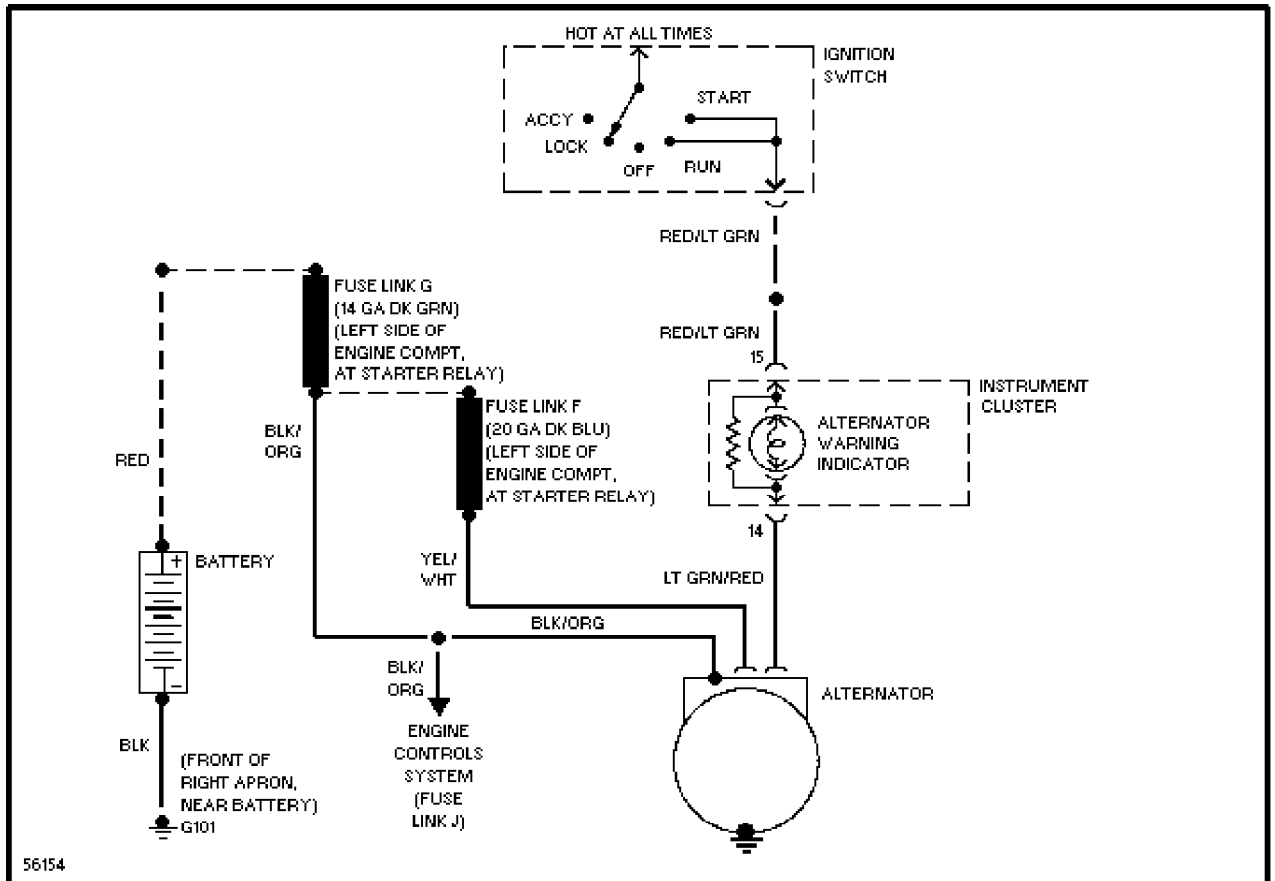
Selected Block (p. 7)

1990 Ford Taurus

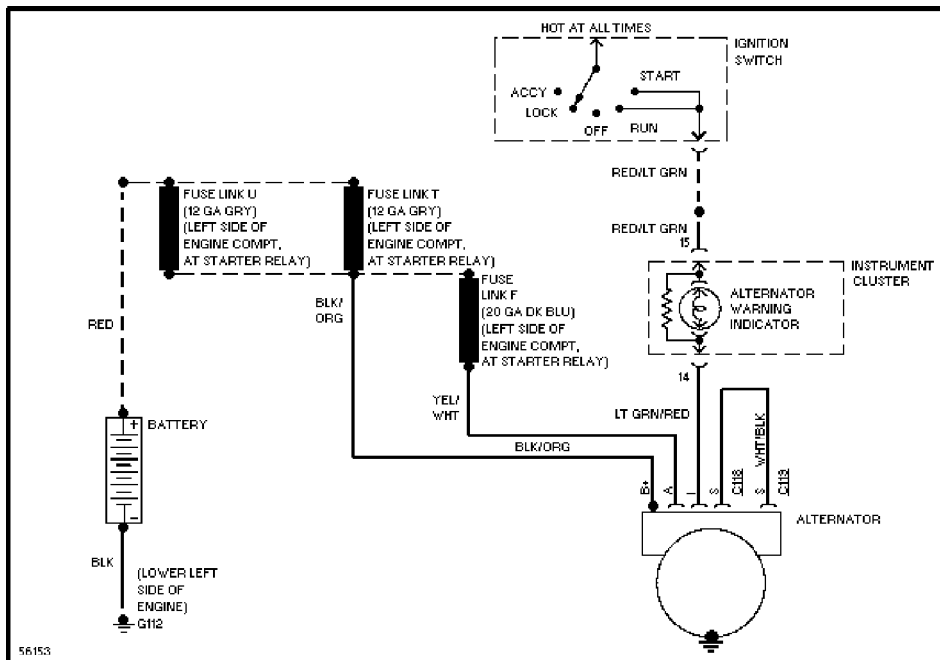
For <http://www.mitchell.narod.ru/>

Copyright © 1997 Mitchell International

Friday, March 02, 2001 02:19PM



3.0L SHO, Charging Circuit



3.0L, Charging Circuit, Police Option

SYSTEM WIRING DIAGRAMS

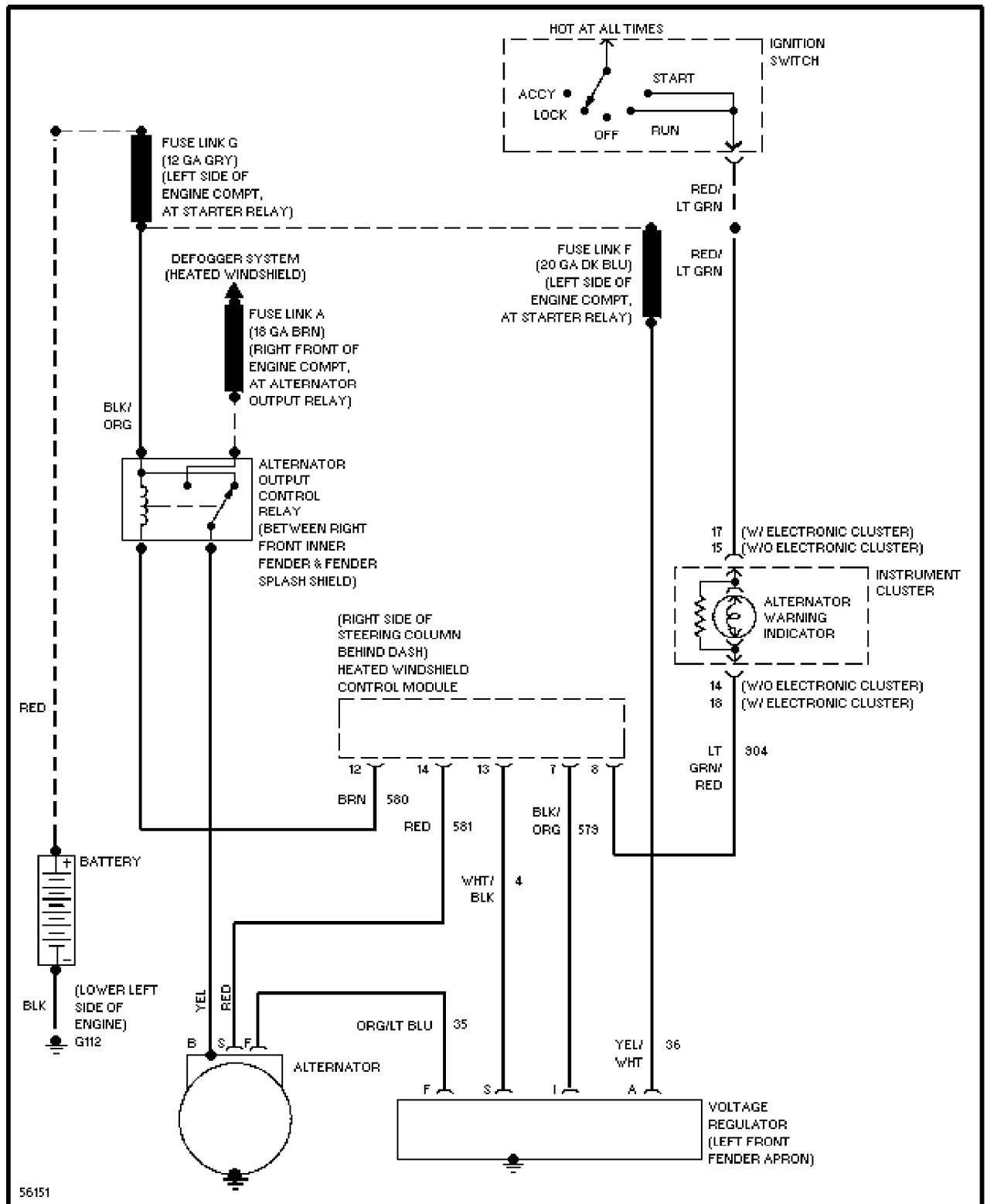
Selected Block (p. 8)

1990 Ford Taurus

For <http://www.mitchell.narod.ru/>

Copyright © 1997 Mitchell International

Friday, March 02, 2001 02:19PM



3.0L, Charging Circuit, W/ Heated Windshield

SYSTEM WIRING DIAGRAMS

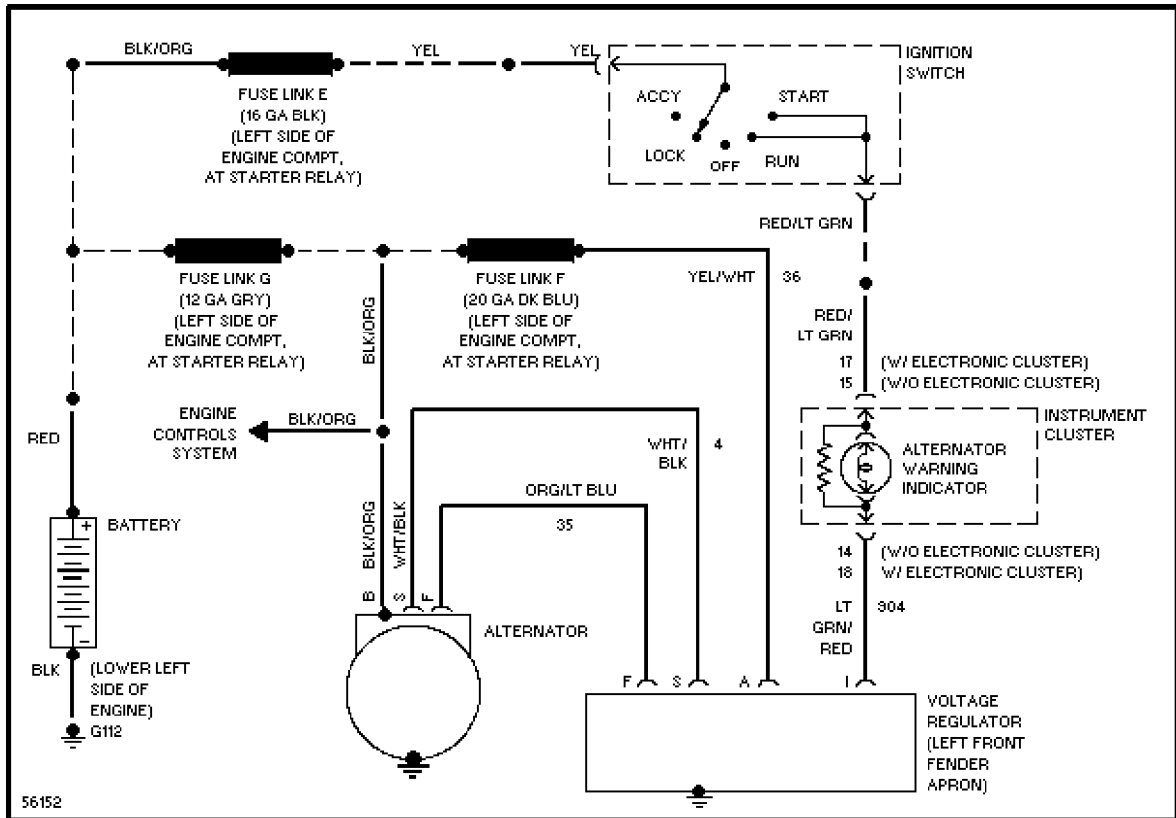
Selected Block (p. 9)

1990 Ford Taurus

For <http://www.mitchell.narod.ru/>

Copyright © 1997 Mitchell International

Friday, March 02, 2001 02:19PM



3.0L, Charging Circuit, W/O Heated Windshield

SYSTEM WIRING DIAGRAMS

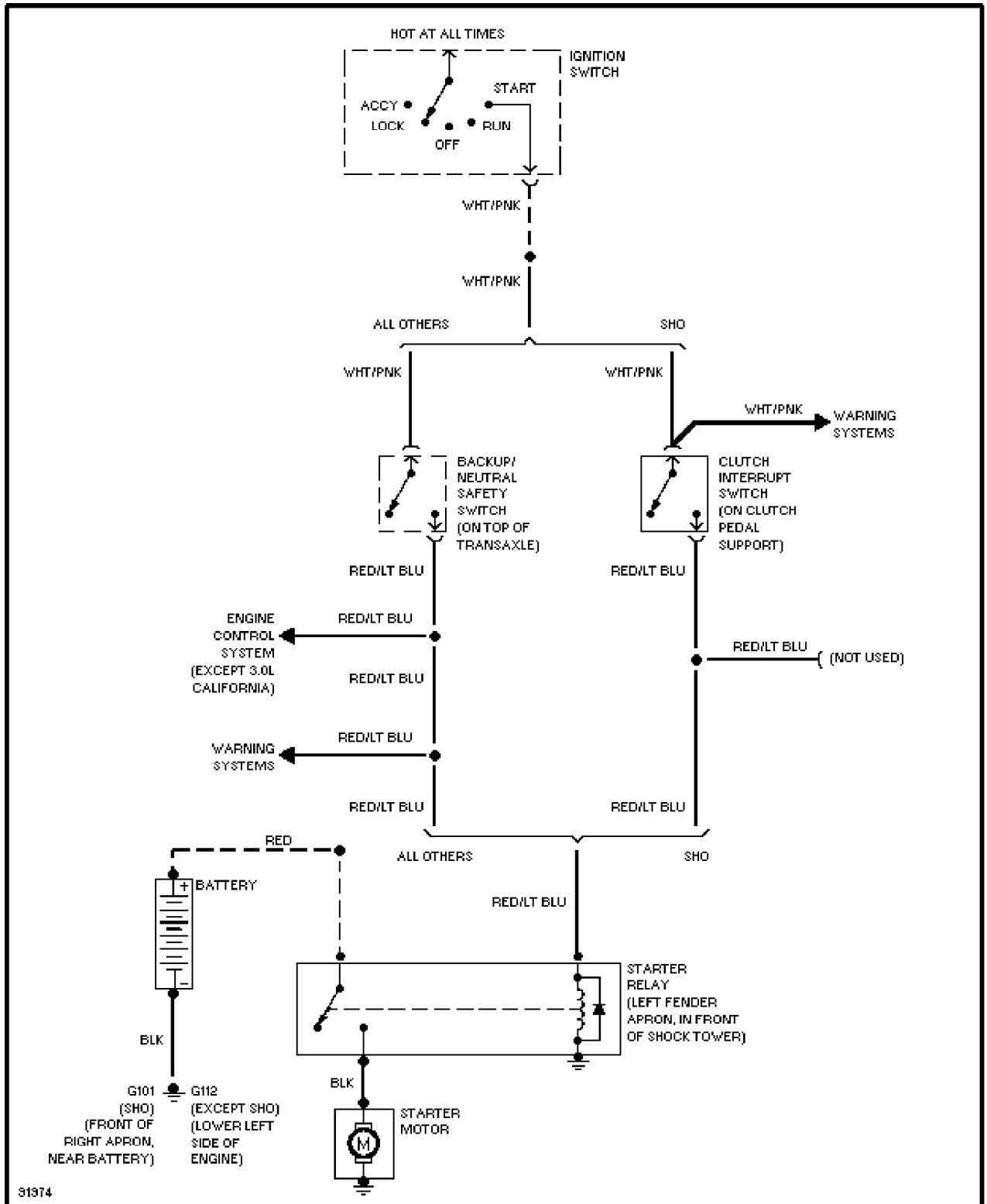
Selected Block (p. 10)

1990 Ford Taurus

For <http://www.mitchell.narod.ru/>

Copyright © 1997 Mitchell International

Friday, March 02, 2001 02:19PM



Starting Circuit

SYSTEM WIRING DIAGRAMS

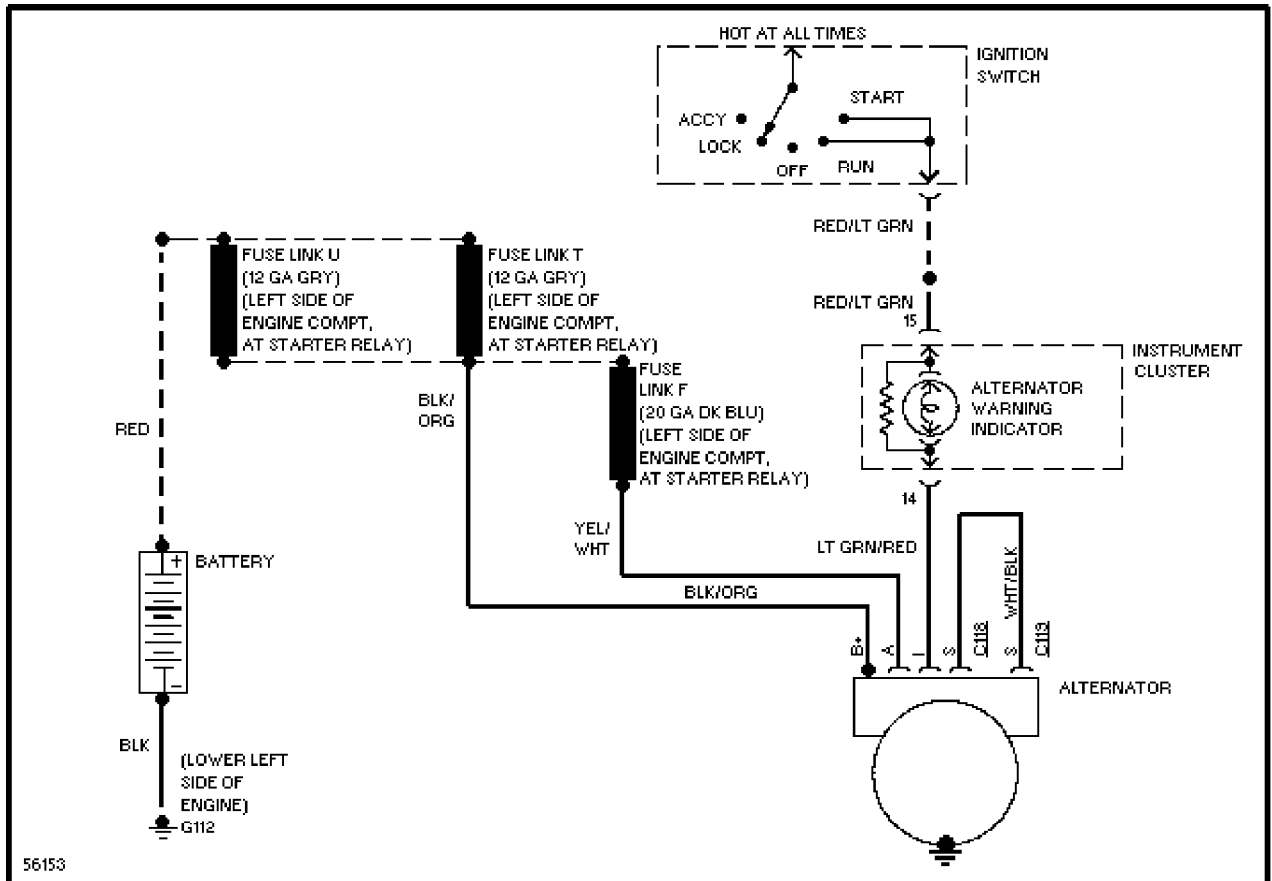
Selected Block (p. 11)

1990 Ford Taurus

For <http://www.mitchell.narod.ru/>

Copyright © 1997 Mitchell International

Friday, March 02, 2001 02:19PM



3.8L, Charging Circuit, Police Option

SYSTEM WIRING DIAGRAMS

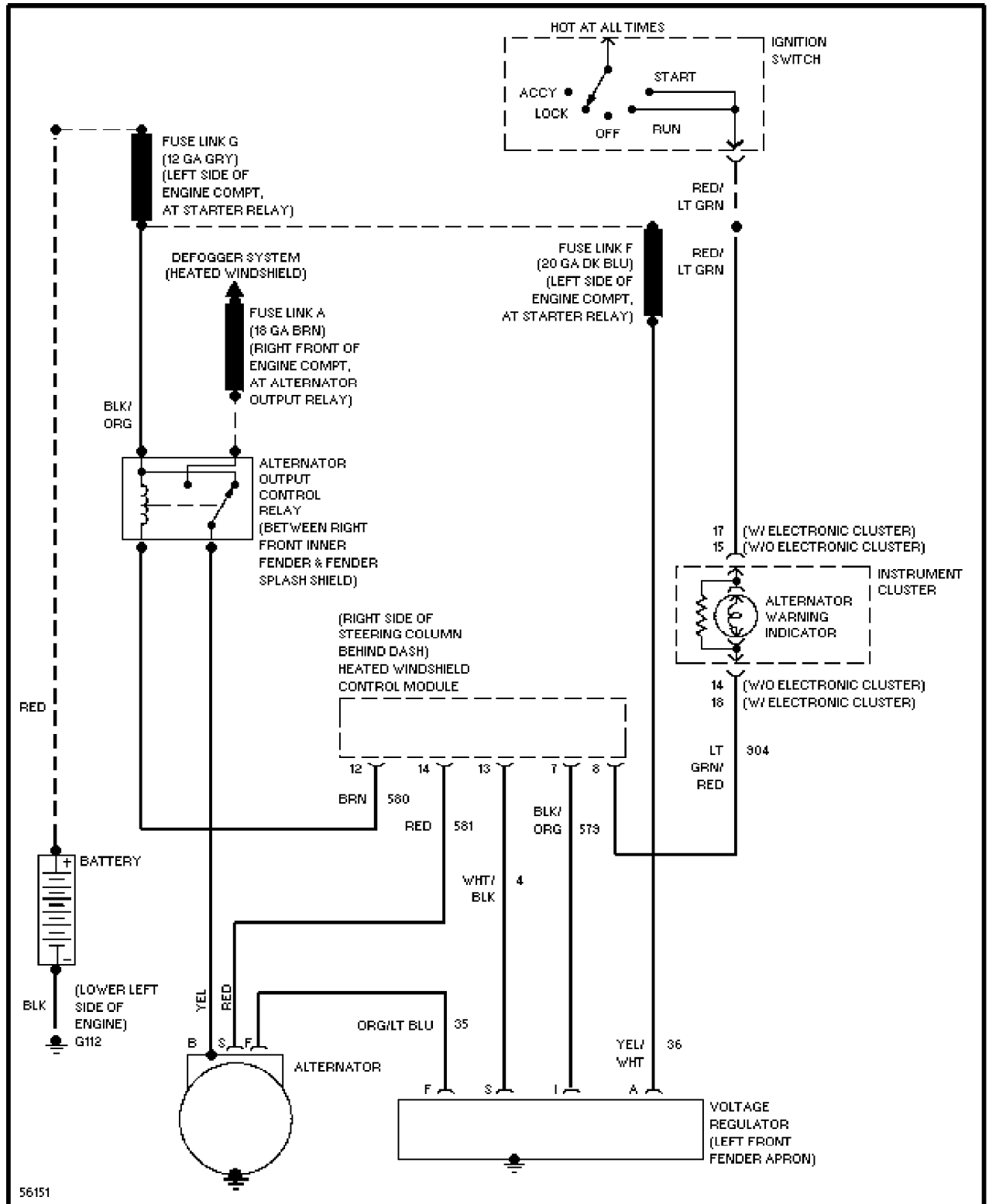
Selected Block (p. 12)

1990 Ford Taurus

For <http://www.mitchell.narod.ru/>

Copyright © 1997 Mitchell International

Friday, March 02, 2001 02:19PM



3.8L, Charging Circuit, W/ Heated Windshield

SYSTEM WIRING DIAGRAMS

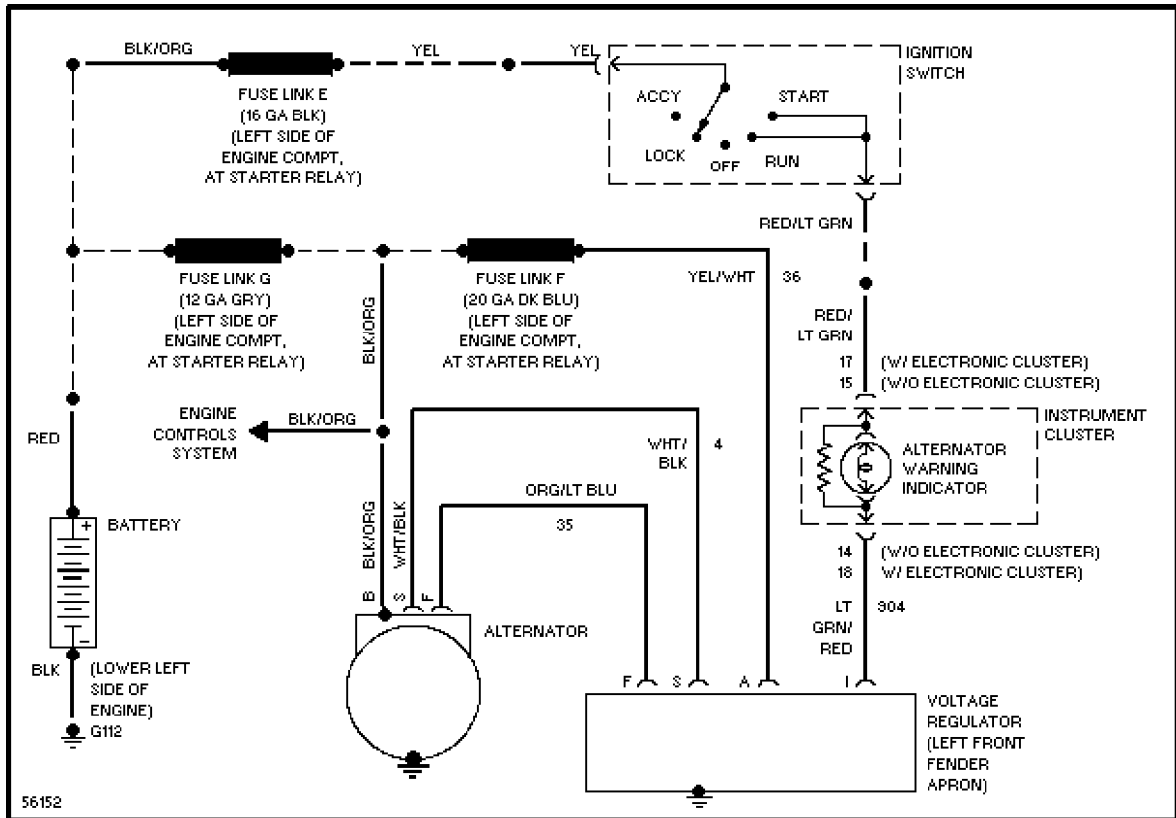
Selected Block (p. 13)

1990 Ford Taurus

For <http://www.mitchell.narod.ru/>

Copyright © 1997 Mitchell International

Friday, March 02, 2001 02:19PM



3.8L, Charging Circuit, W/O Heated Windshield

SYSTEM WIRING DIAGRAMS

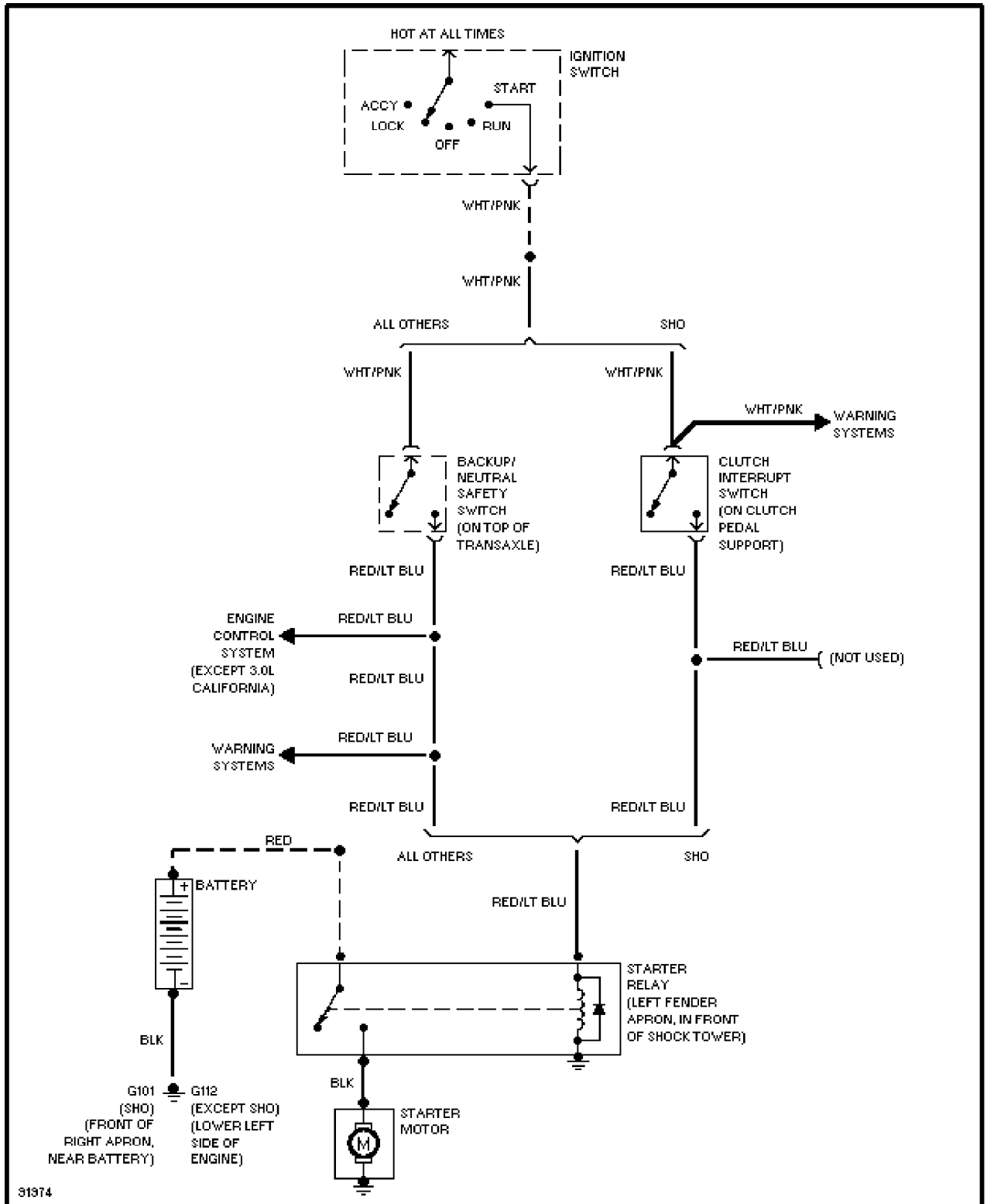
Selected Block (p. 14)

1990 Ford Taurus

For <http://www.mitchell.narod.ru/>

Copyright © 1997 Mitchell International

Friday, March 02, 2001 02:19PM



Starting Circuit