

SYSTEM WIRING DIAGRAMS

Selected Block

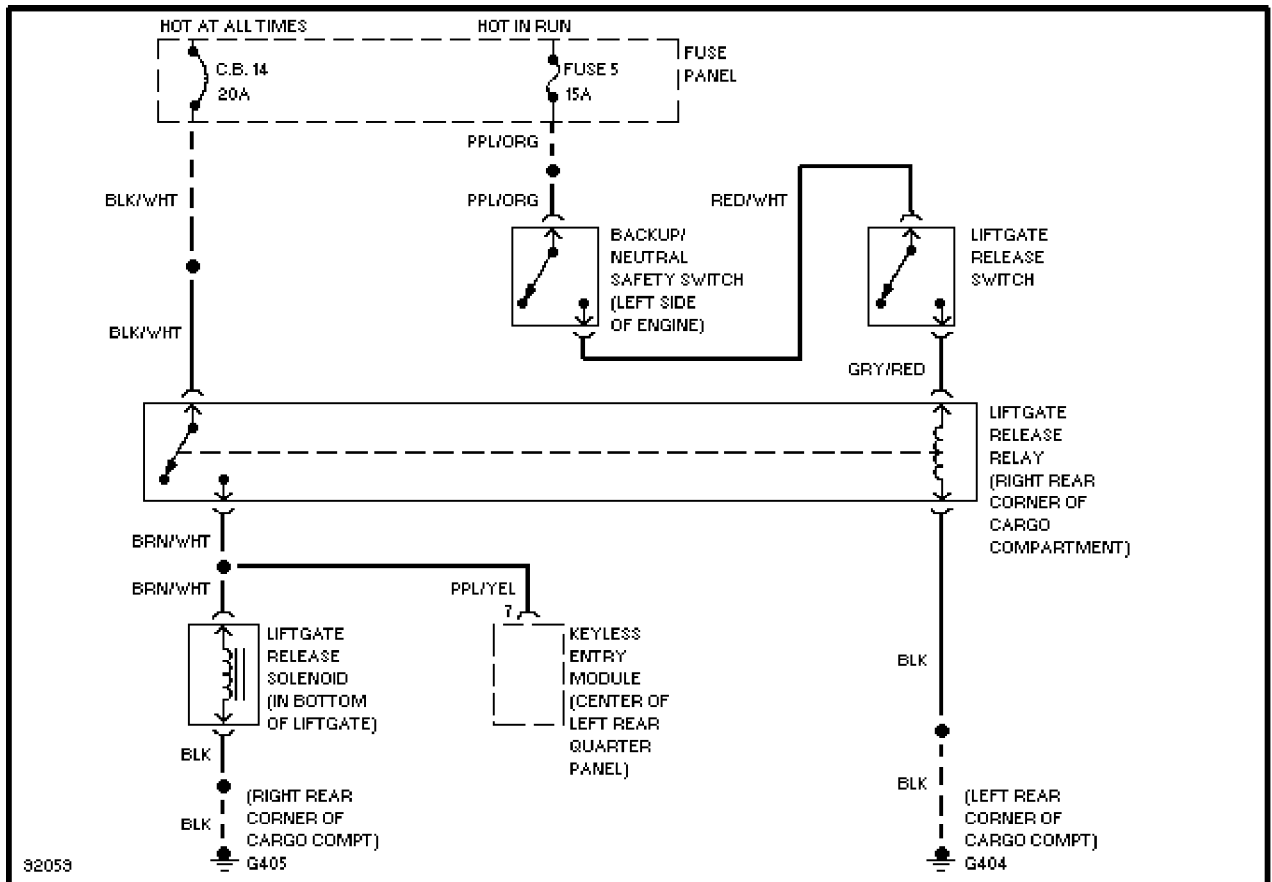
1990 Ford Taurus

For <http://www.mitchell.narod.ru/>

Copyright © 1997 Mitchell International

Friday, March 02, 2001 02:19PM

TRUNK, TAILGATE, FUEL DOOR



Tailgate Release Circuit

SYSTEM WIRING DIAGRAMS

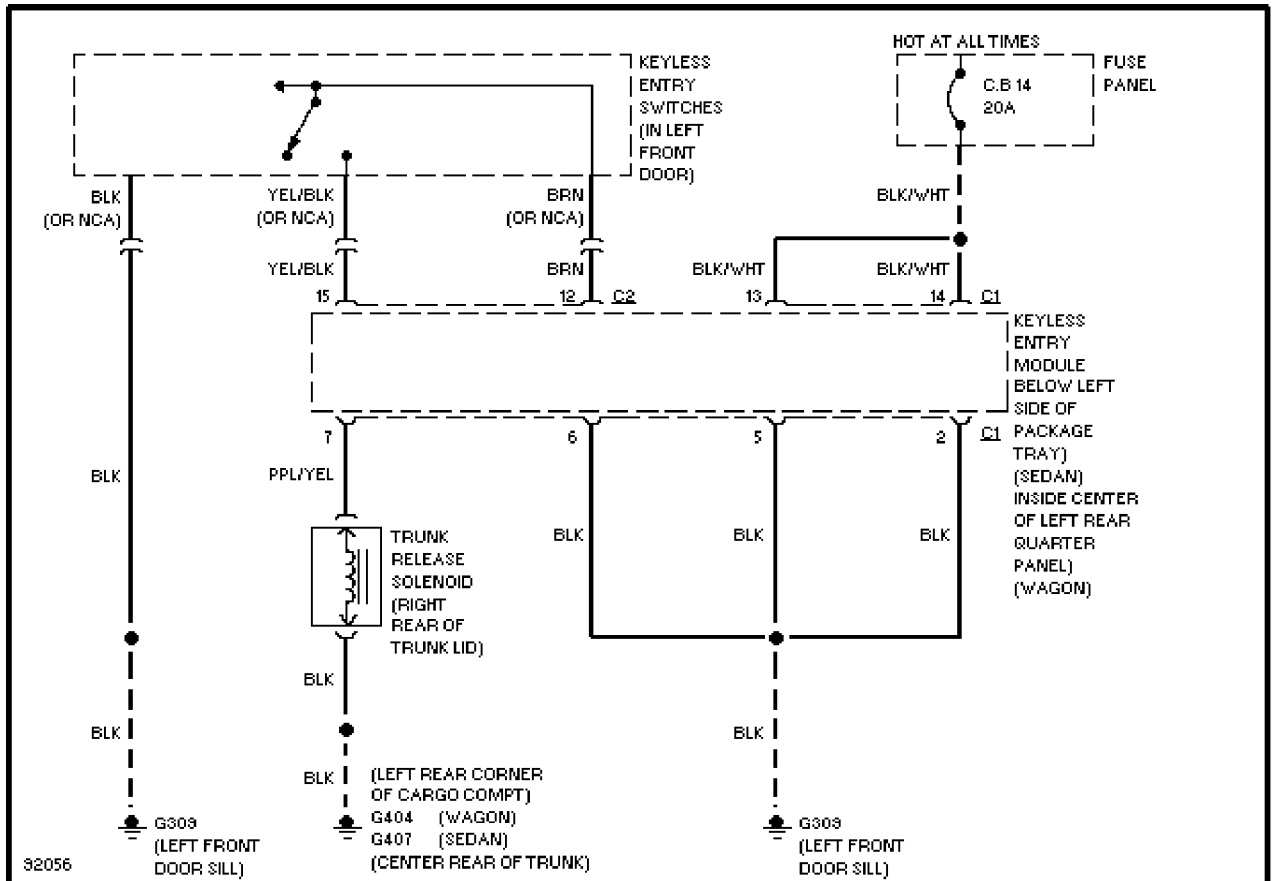
Selected Block (p. 2)

1990 Ford Taurus

For <http://www.mitchell.narod.ru/>

Copyright © 1997 Mitchell International

Friday, March 02, 2001 02:19PM



Trunk Release Circuit

WIPER/WASHER

SYSTEM WIRING DIAGRAMS

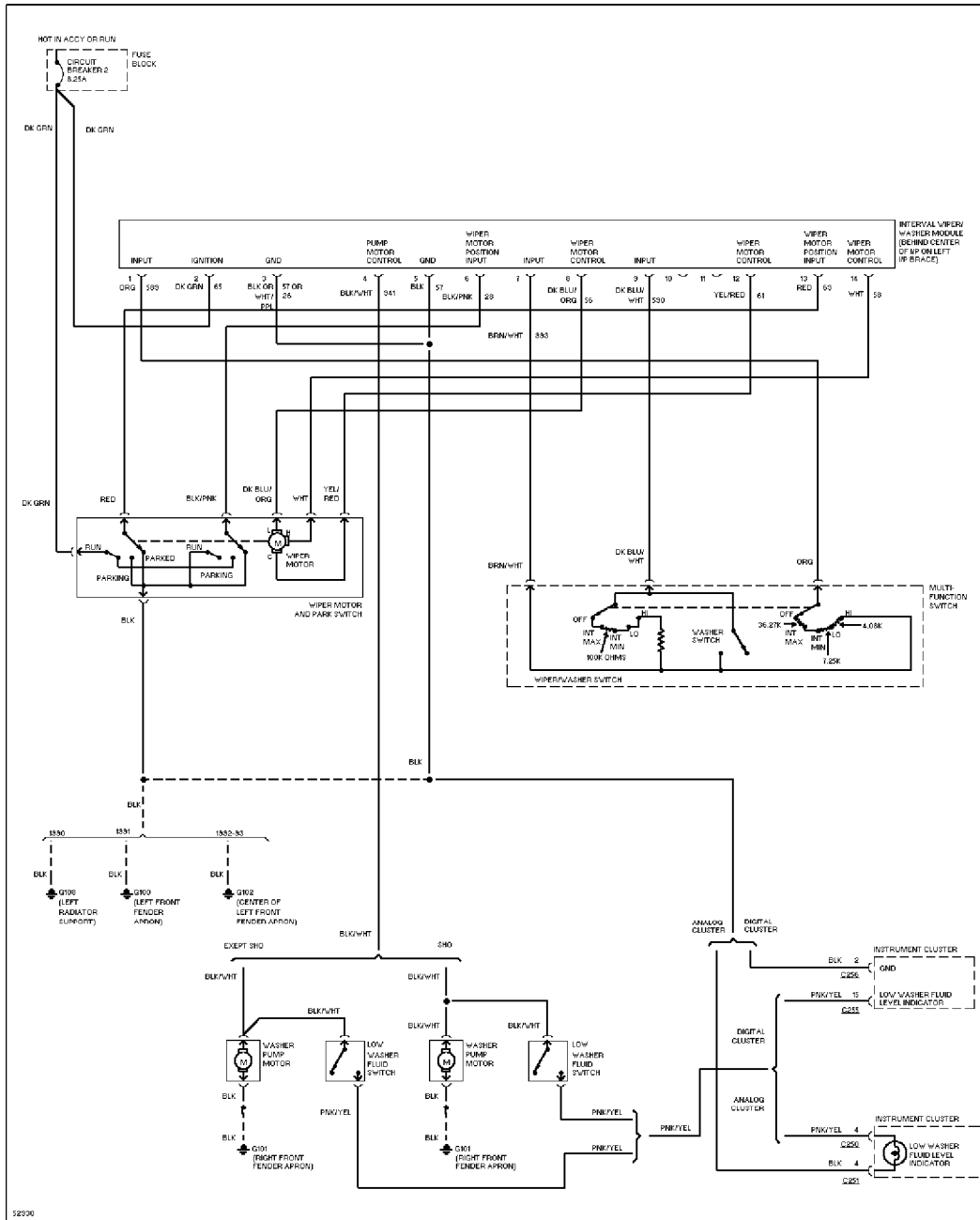
Selected Block (p. 3)

1990 Ford Taurus

For <http://www.mitchell.narod.ru/>

Copyright © 1997 Mitchell International

Friday, March 02, 2001 02:19PM



Interval Wiper/Washer Circuit

SYSTEM WIRING DIAGRAMS

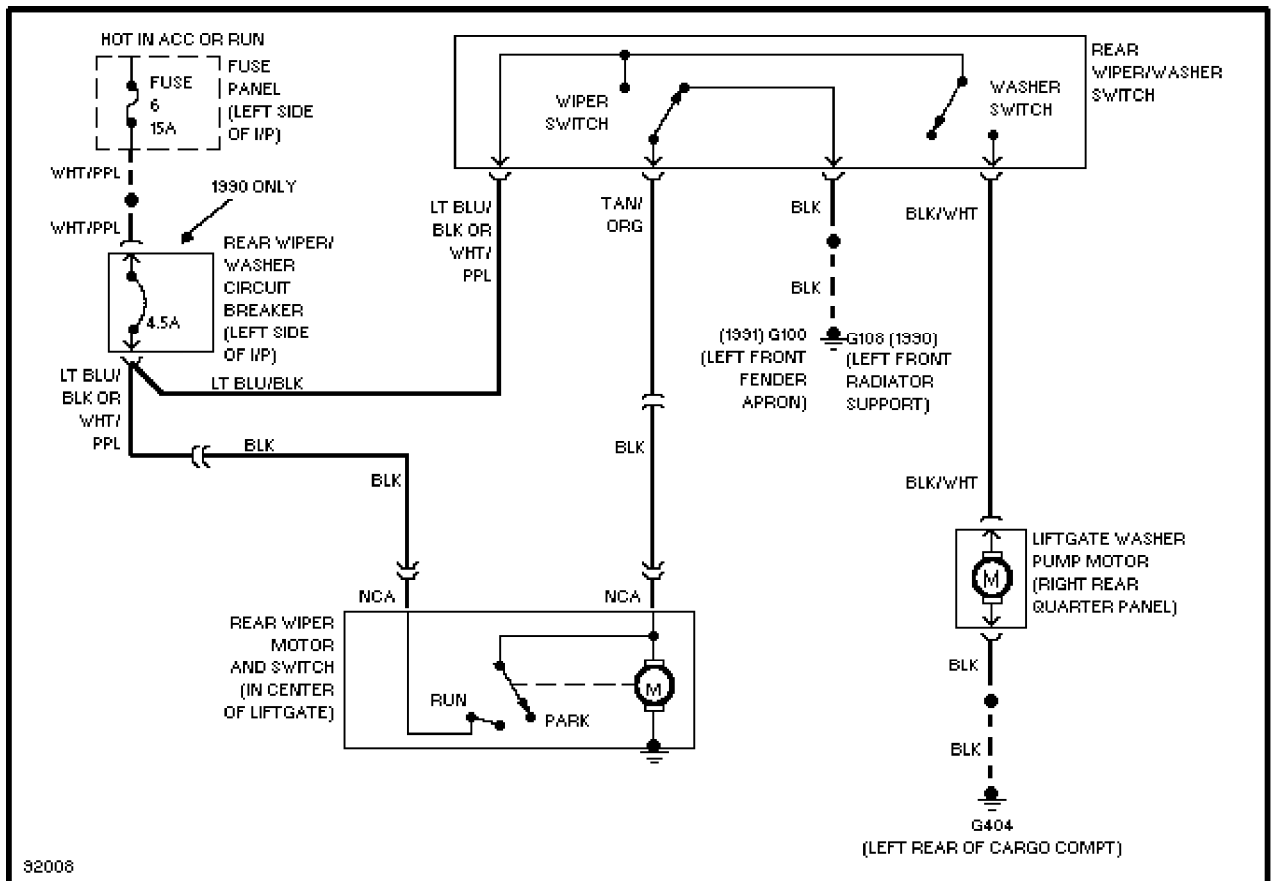
Selected Block (p. 4)

1990 Ford Taurus

For <http://www.mitchell.narod.ru/>

Copyright © 1997 Mitchell International

Friday, March 02, 2001 02:19PM



Rear Wiper/Washer Circuit

END OF ARTICLE