

WIRING DIAGRAMS

Selected Block

1990 Ford Taurus

For <http://www.mitchell.narod.ru/>

Copyright © 1997 Mitchell International

Friday, March 02, 2001 02:19PM

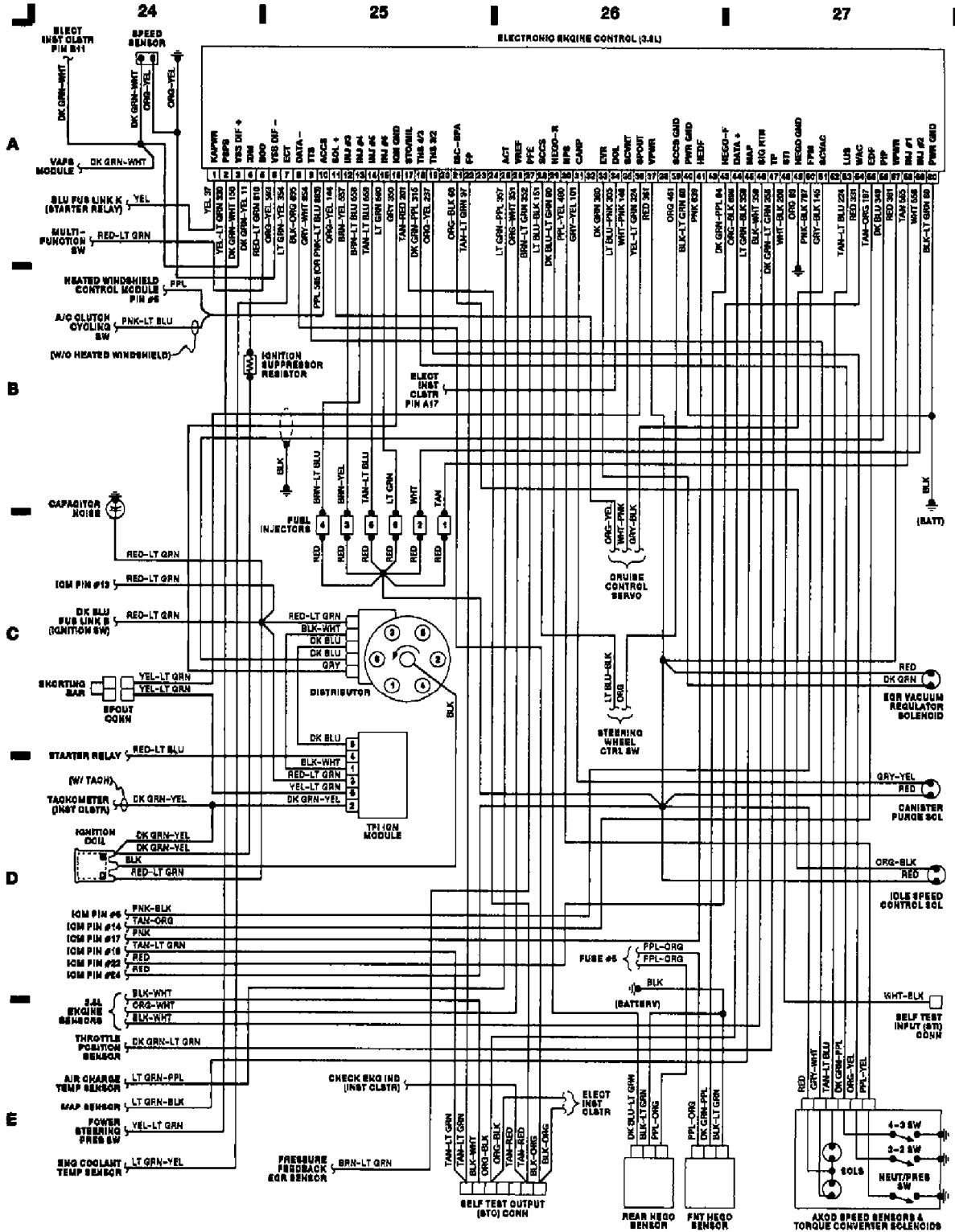


Fig. 7: Electronic Engine Control (3.8L) (Grid 24-27)

WIRING DIAGRAMS

Selected Block (p. 2)

1990 Ford Taurus

For <http://www.mitchell.narod.ru/>

Copyright © 1997 Mitchell International

Friday, March 02, 2001 02:20PM

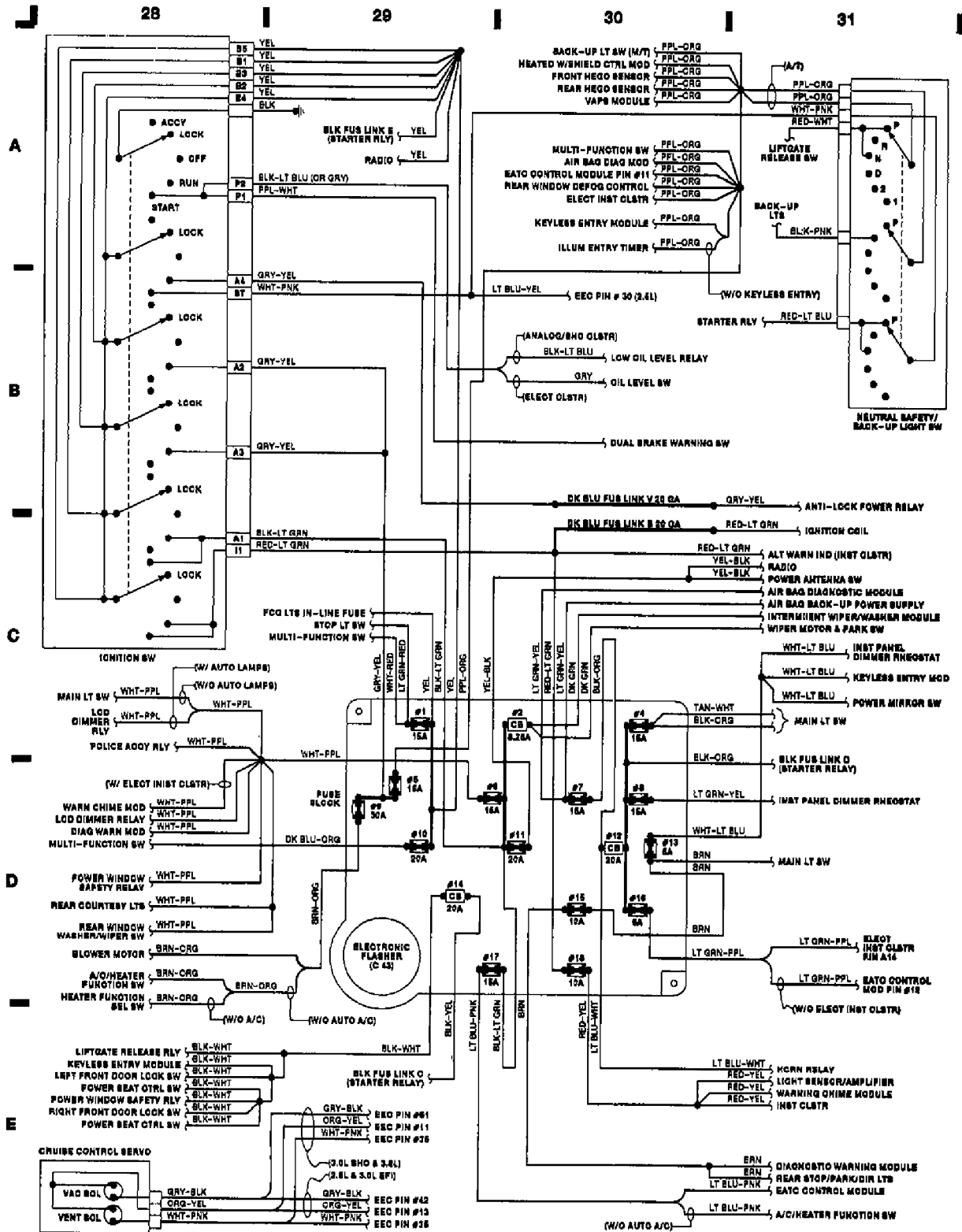


Fig. 8: Fuse Block (Grid 28-31)

WIRING DIAGRAMS

Selected Block (p. 3)

1990 Ford Taurus

For <http://www.mitchell.narod.ru/>

Copyright © 1997 Mitchell International

Friday, March 02, 2001 02:20PM

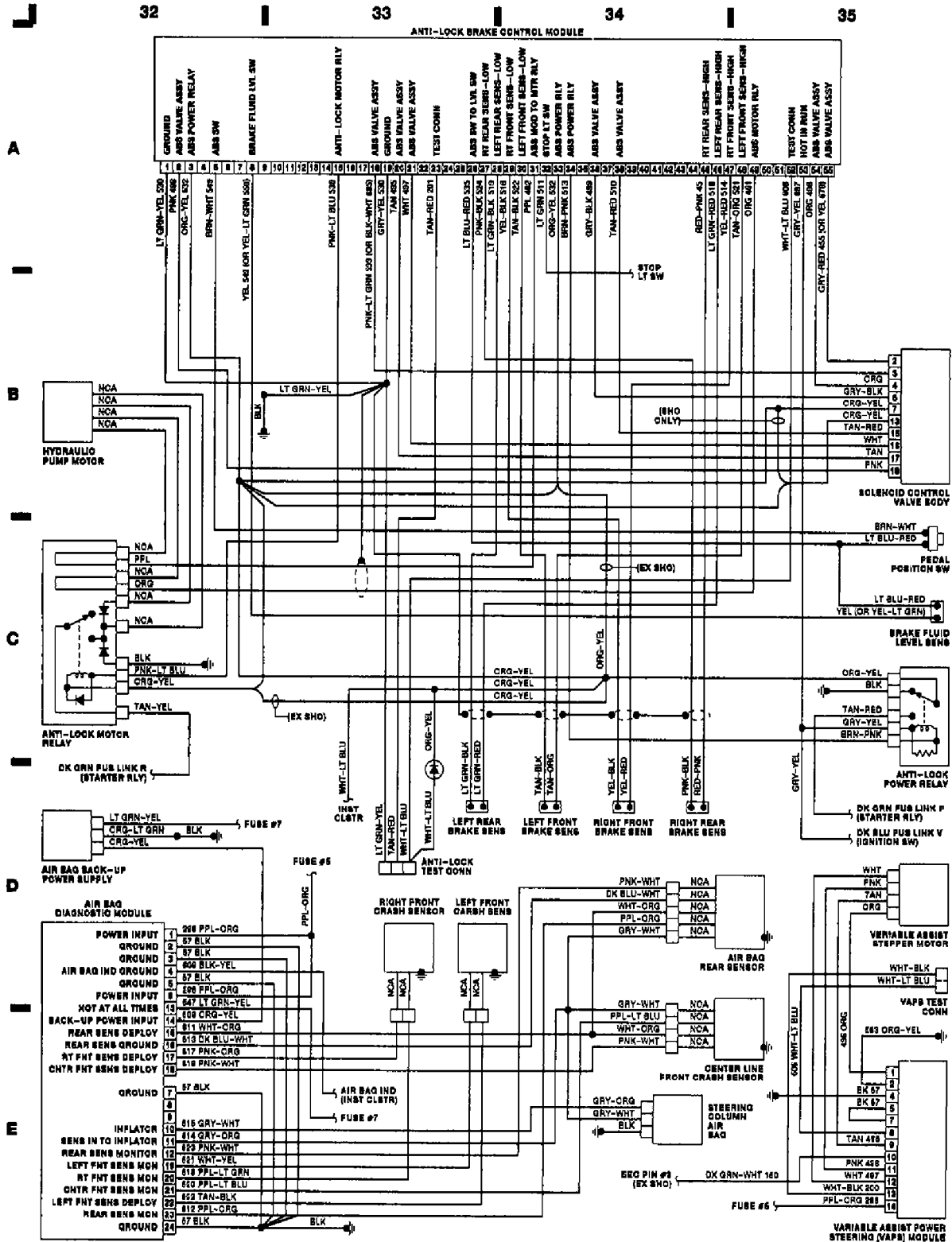


Fig. 9: ABS Air Control Mod, Variable Assist P/S (Grid 32-35)

WIRING DIAGRAMS

Selected Block (p. 4)

1990 Ford Taurus

For <http://www.mitchell.narod.ru/>

Copyright © 1997 Mitchell International

Friday, March 02, 2001 02:20PM

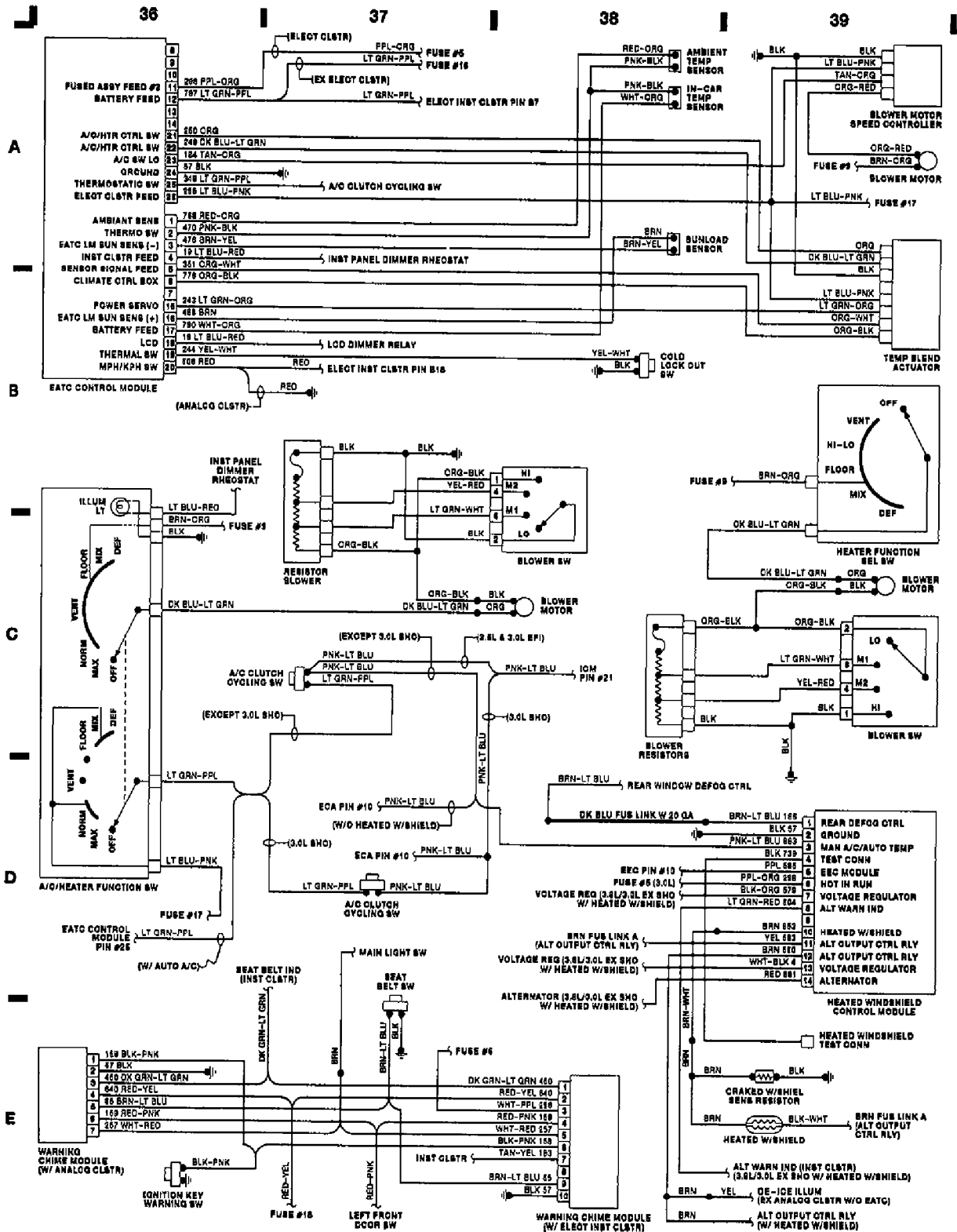


Fig. 10: EATC Control Module (Grid 36-39)

WIRING DIAGRAMS

Selected Block (p. 5)

1990 Ford Taurus

For <http://www.mitchell.narod.ru/>

Copyright © 1997 Mitchell International

Friday, March 02, 2001 02:20PM

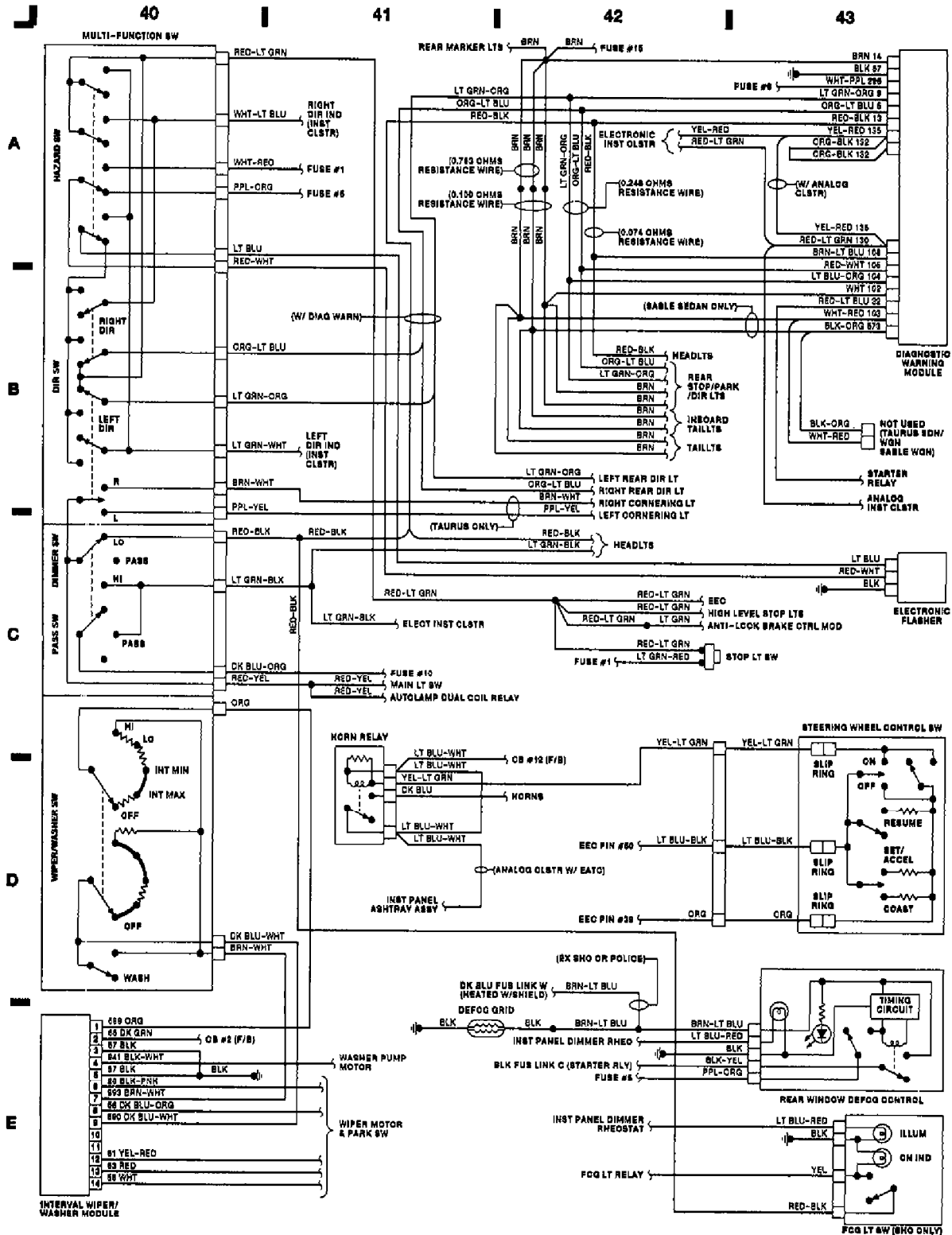


Fig. 11: Multi-Function Switch (Grid 40-43)

WIRING DIAGRAMS

Selected Block (p. 6)

1990 Ford Taurus

For <http://www.mitchell.narod.ru/>

Copyright © 1997 Mitchell International

Friday, March 02, 2001 02:20PM

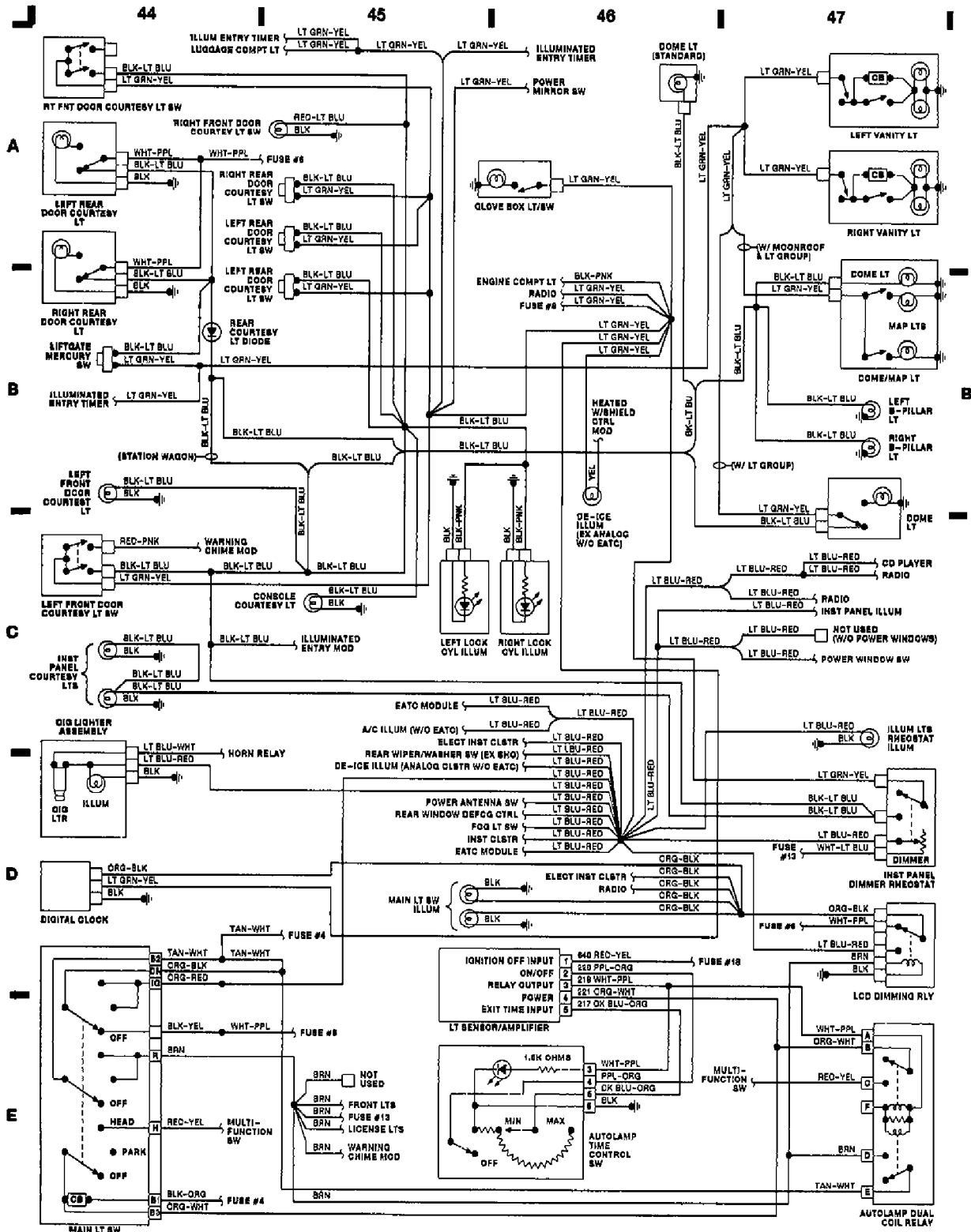


Fig. 12: Passenger Compartment (Grid 44-47)

WIRING DIAGRAMS

Selected Block (p. 7)

1990 Ford Taurus

For <http://www.mitchell.narod.ru/>

Copyright © 1997 Mitchell International

Friday, March 02, 2001 02:20PM

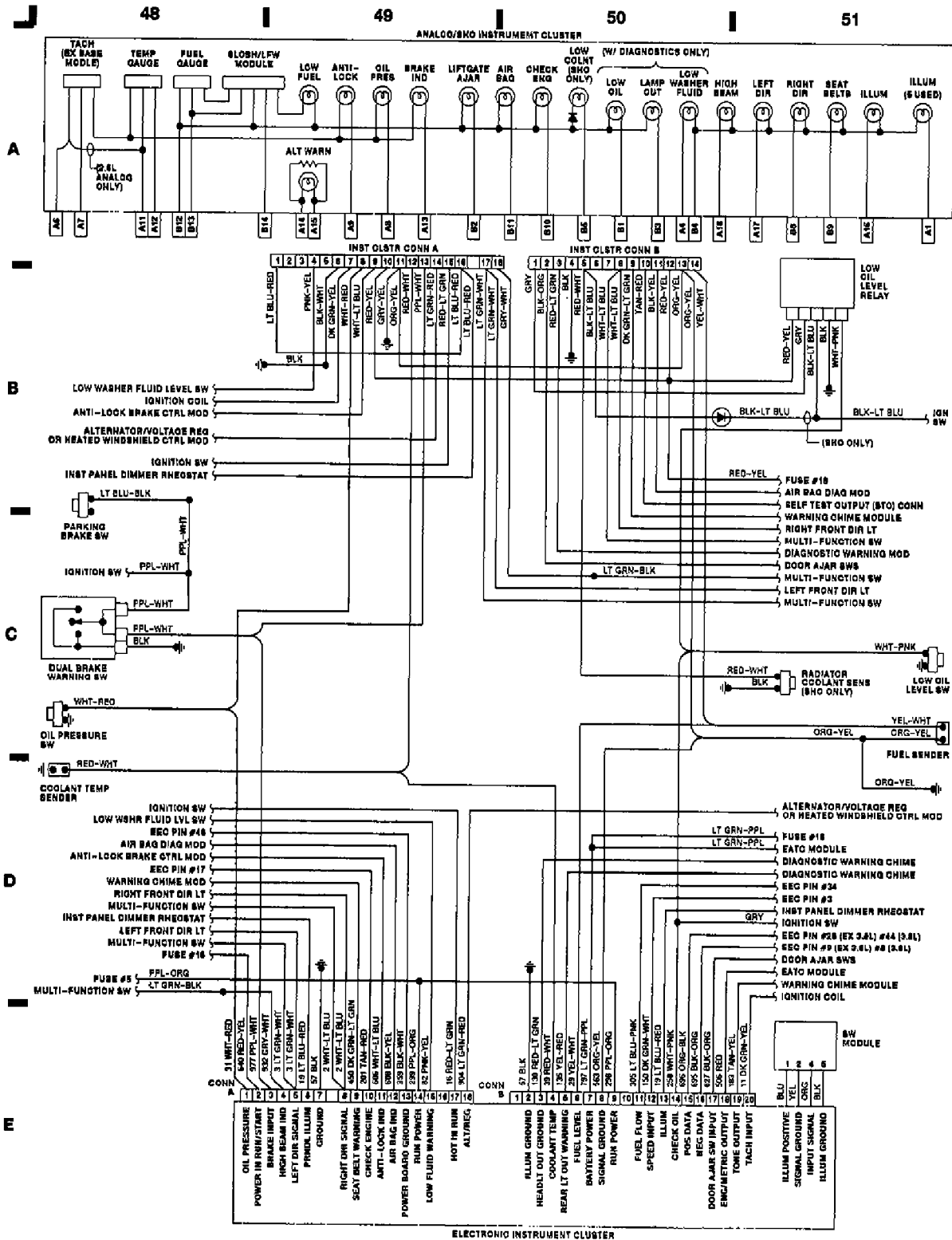


Fig. 13: Instrument Clusters (Grid 48-51)

WIRING DIAGRAMS

Selected Block (p. 8)

1990 Ford Taurus

For <http://www.mitchell.narod.ru/>

Copyright © 1997 Mitchell International

Friday, March 02, 2001 02:20PM

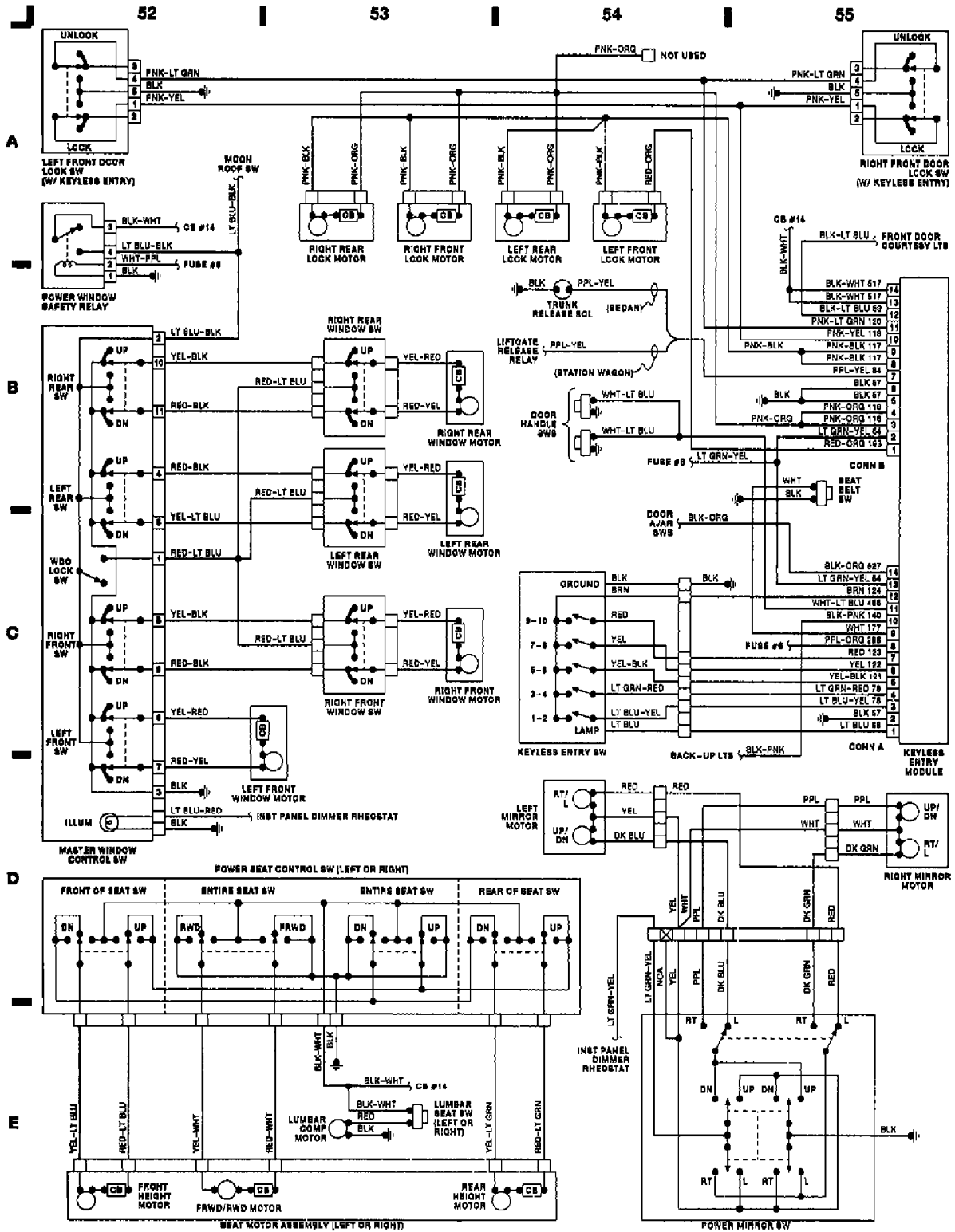


Fig. 14: Keyless Entry Module & Power Seats (Grid 52-55)

WIRING DIAGRAMS

Selected Block (p. 9)

1990 Ford Taurus

For <http://www.mitchell.narod.ru/>

Copyright © 1997 Mitchell International

Friday, March 02, 2001 02:20PM

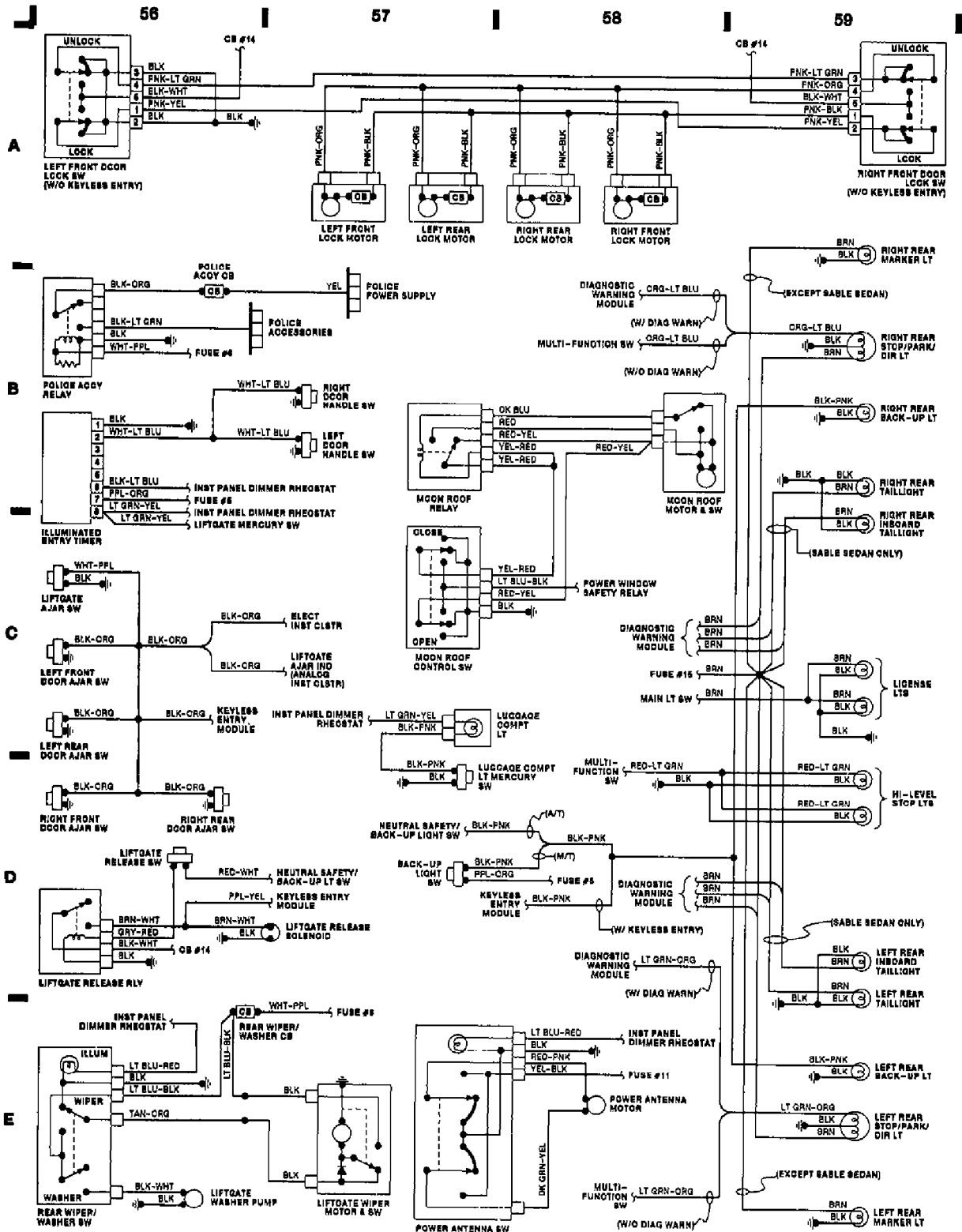


Fig. 15: Passenger Compartment & Taillights (Grid 56-59)