

# SYSTEM WIRING DIAGRAMS

## Selected Block

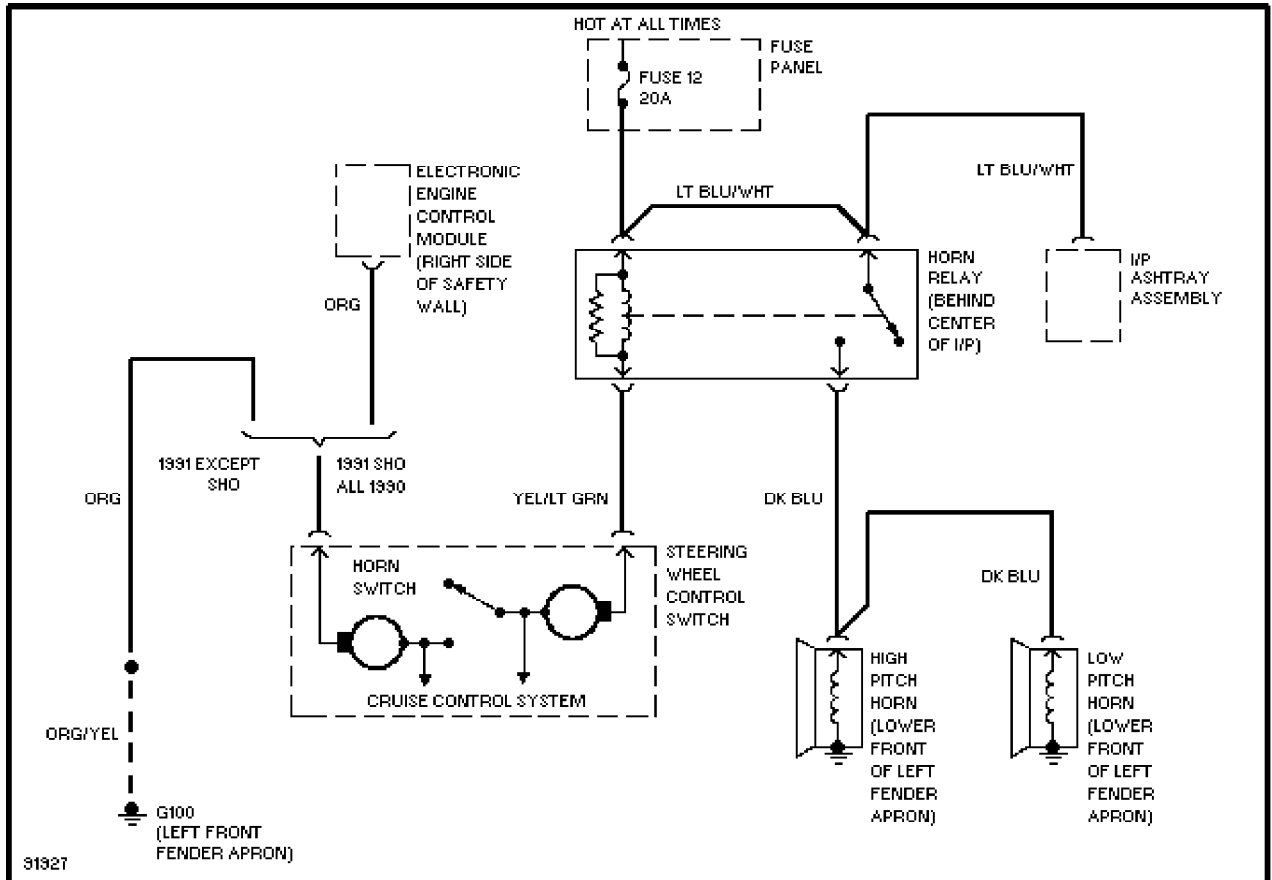
1991 Ford Taurus

For <http://www.mitchell.narod.ru/>

Copyright © 1997 Mitchell International

Friday, March 02, 2001 02:21PM

### HORN



Horn Circuit

### POWER ANTENNA

# SYSTEM WIRING DIAGRAMS

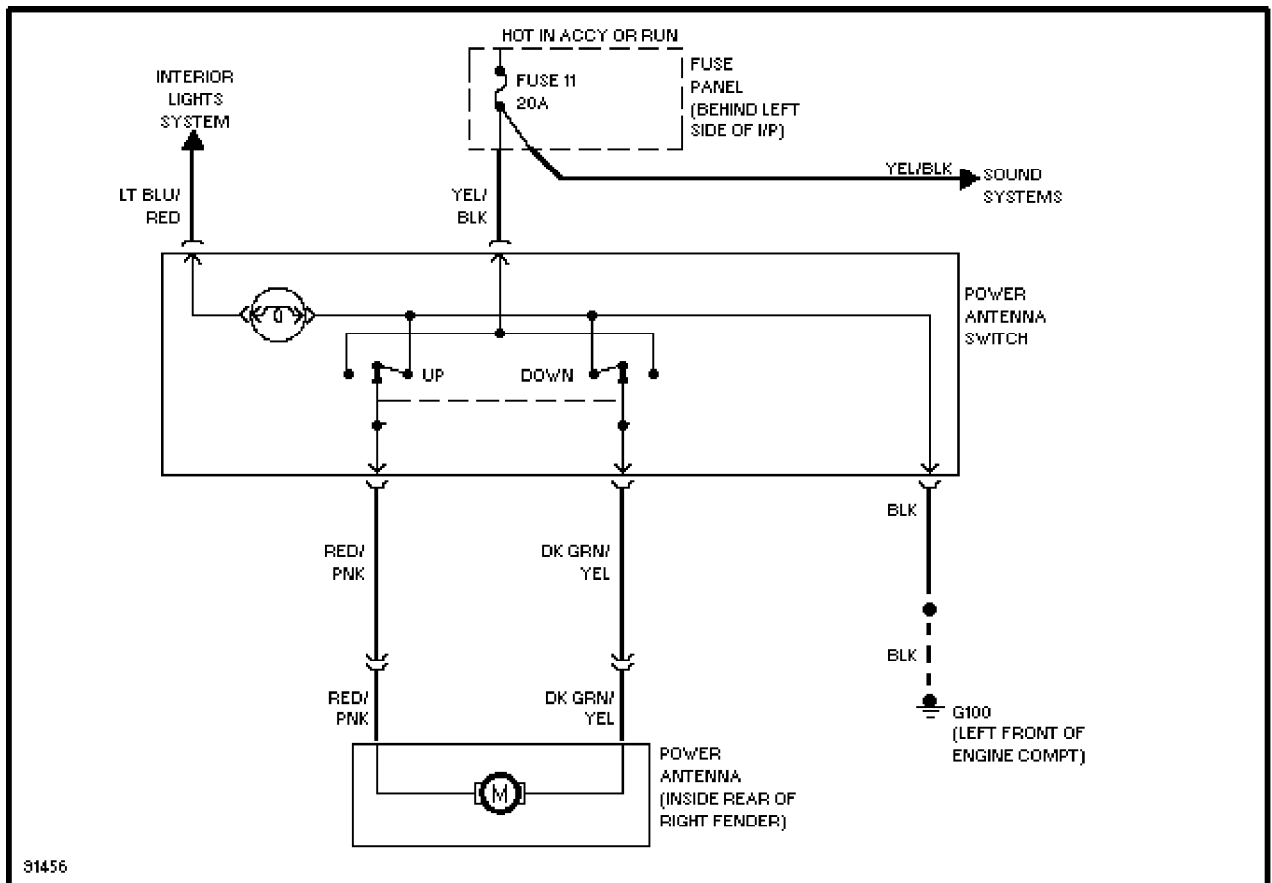
## Selected Block (p. 2)

1991 Ford Taurus

For <http://www.mitchell.narod.ru/>

Copyright © 1997 Mitchell International

Friday, March 02, 2001 02:21PM



Power Antenna Circuit

## POWER DOOR LOCKS

# SYSTEM WIRING DIAGRAMS

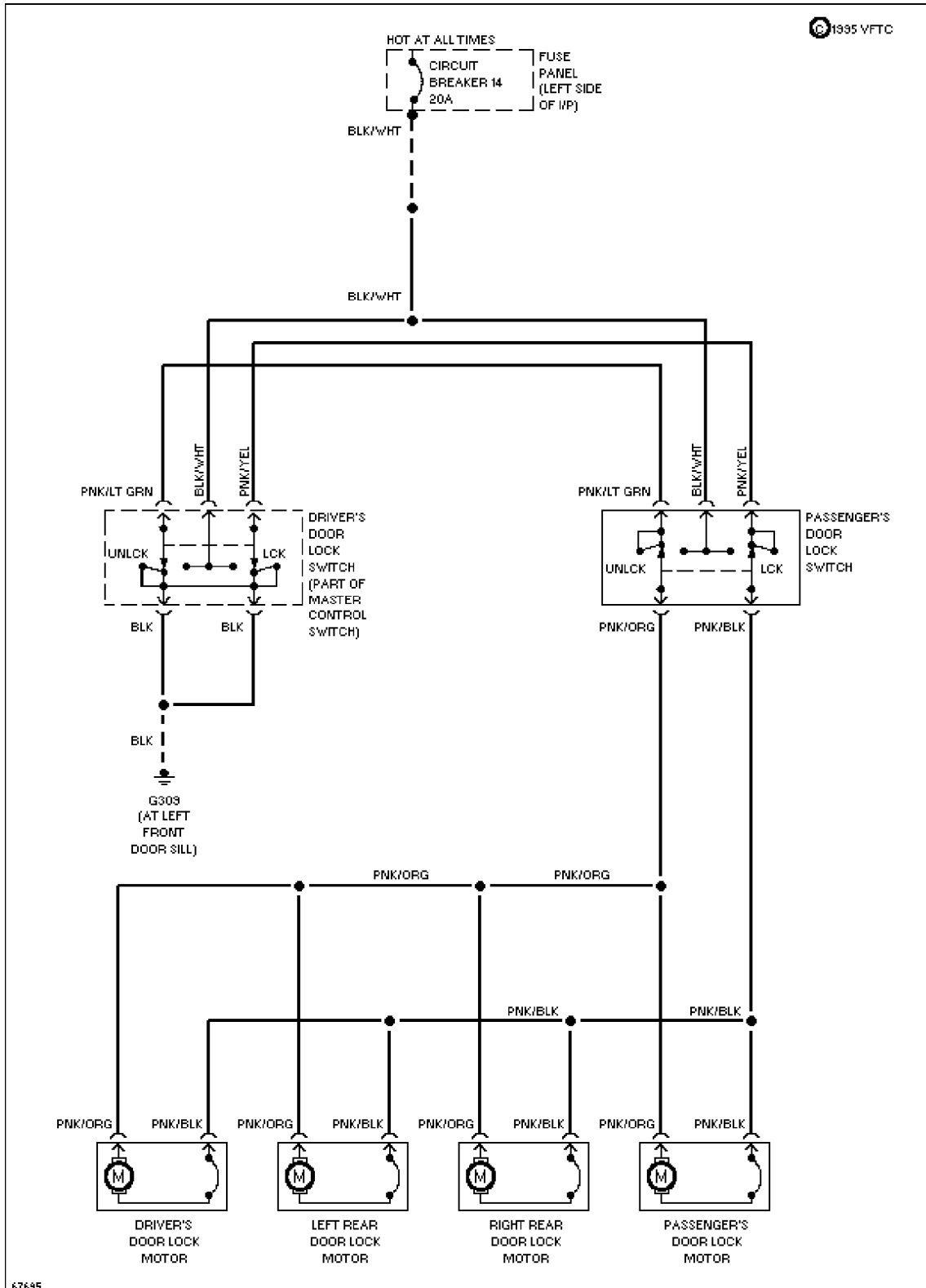
## Selected Block (p. 3)

1991 Ford Taurus

For <http://www.mitchell.narod.ru/>

Copyright © 1997 Mitchell International

Friday, March 02, 2001 02:21PM



Door Lock Circuit

# SYSTEM WIRING DIAGRAMS

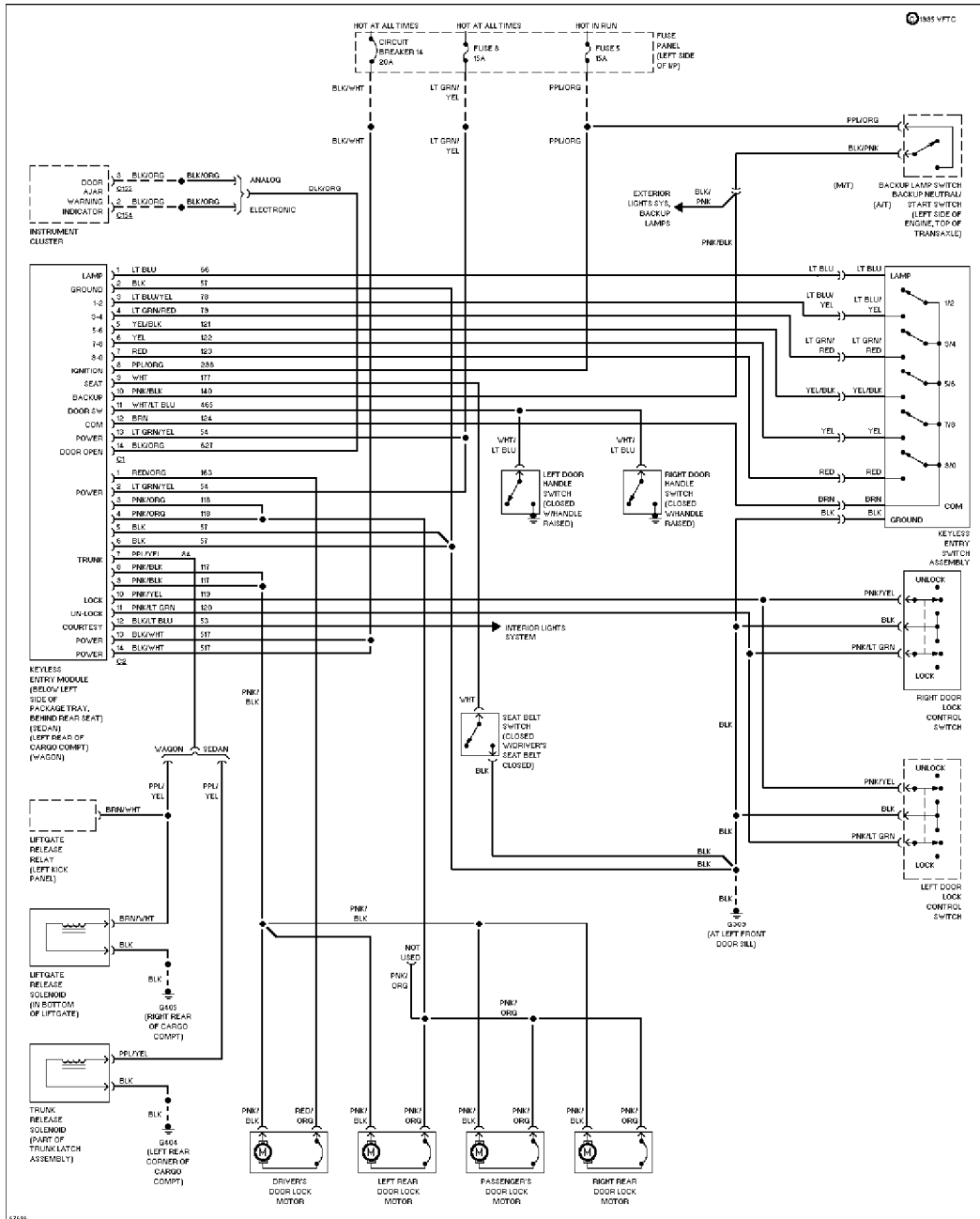
## Selected Block (p. 4)

1991 Ford Taurus

For <http://www.mitchell.narod.ru/>

Copyright © 1997 Mitchell International

Friday, March 02, 2001 02:21PM



Keyless Entry Circuit

## POWER MIRRORS

# SYSTEM WIRING DIAGRAMS

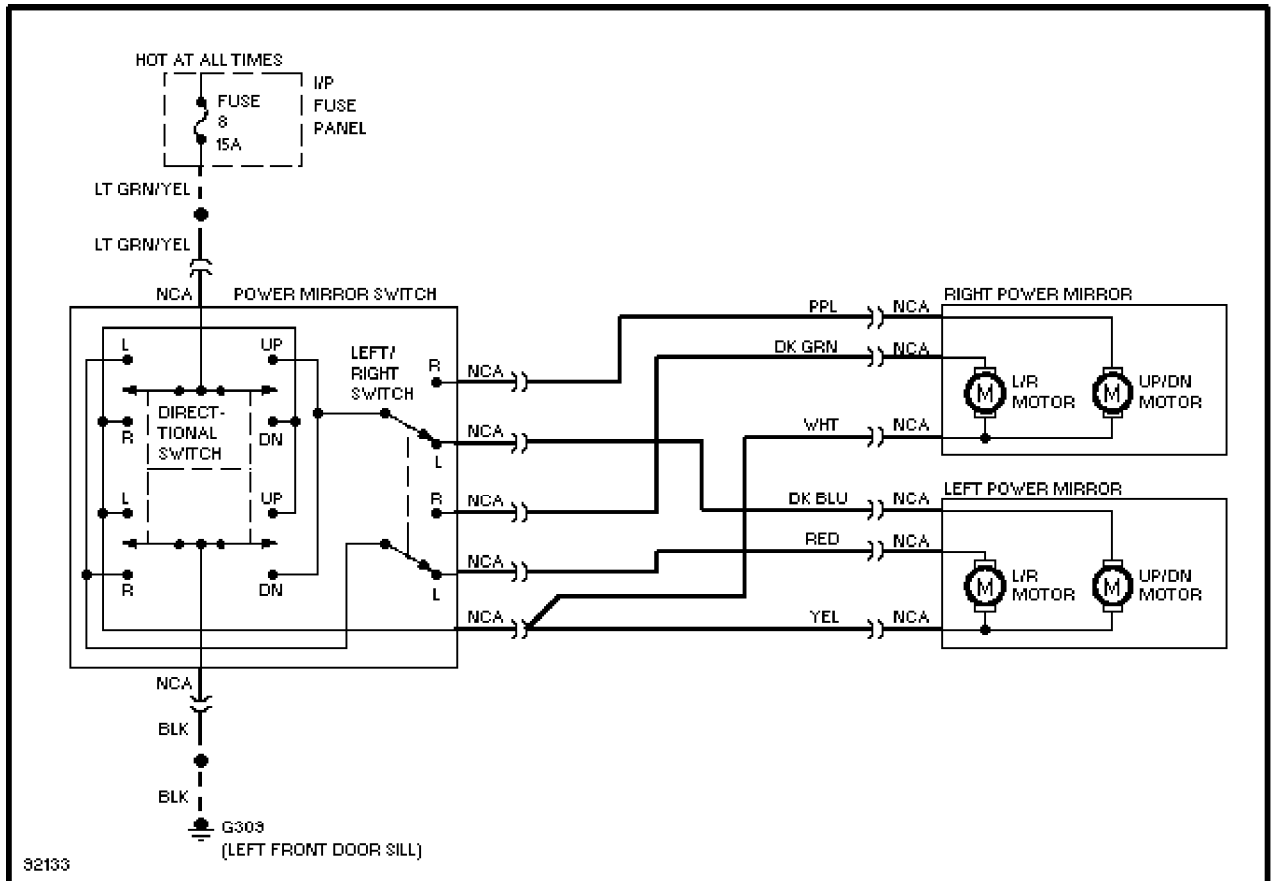
## Selected Block (p. 5)

1991 Ford Taurus

For <http://www.mitchell.narod.ru/>

Copyright © 1997 Mitchell International

Friday, March 02, 2001 02:21PM



Power Mirror Circuit

## POWER SEATS

# SYSTEM WIRING DIAGRAMS

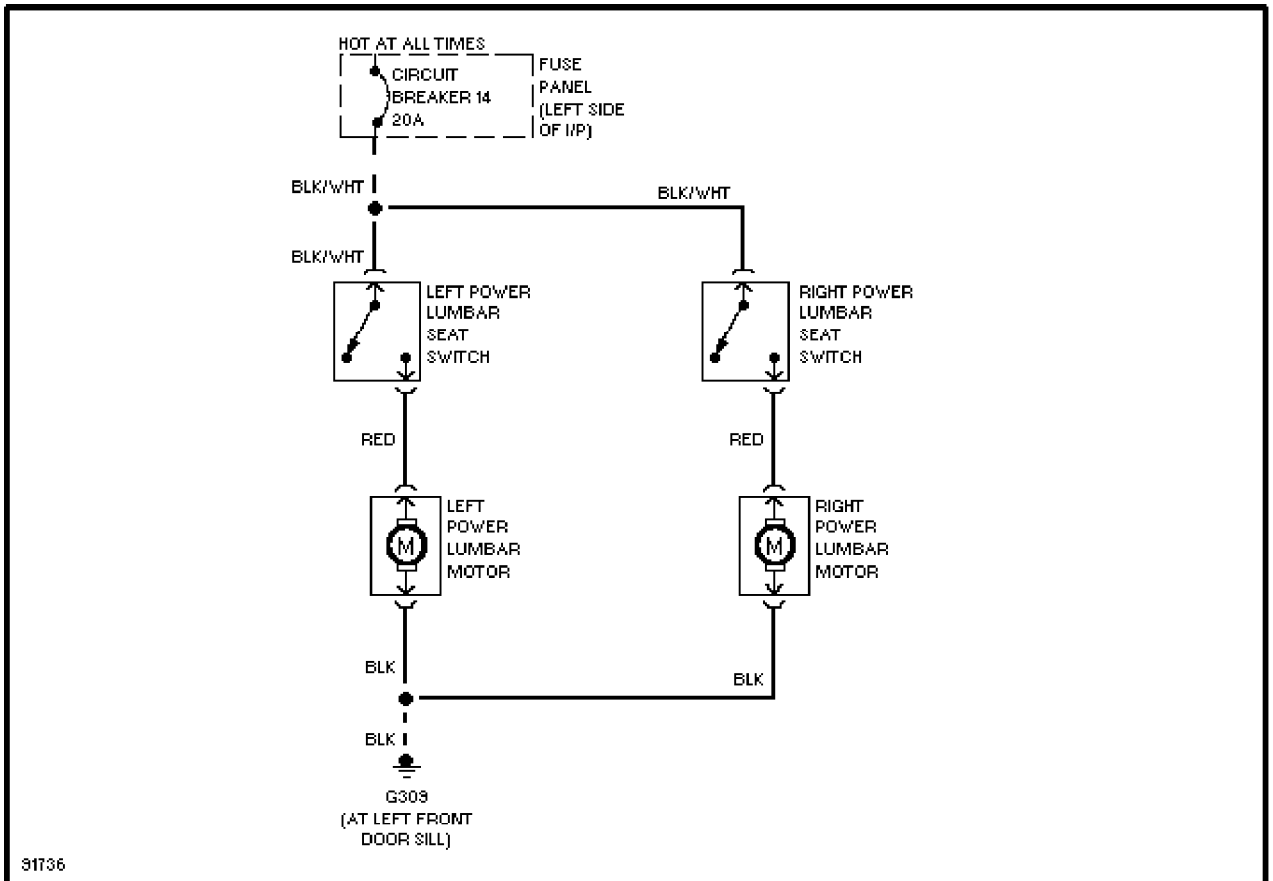
## Selected Block (p. 6)

1991 Ford Taurus

For <http://www.mitchell.narod.ru/>

Copyright © 1997 Mitchell International

Friday, March 02, 2001 02:21PM



Lumbar Circuit

# SYSTEM WIRING DIAGRAMS

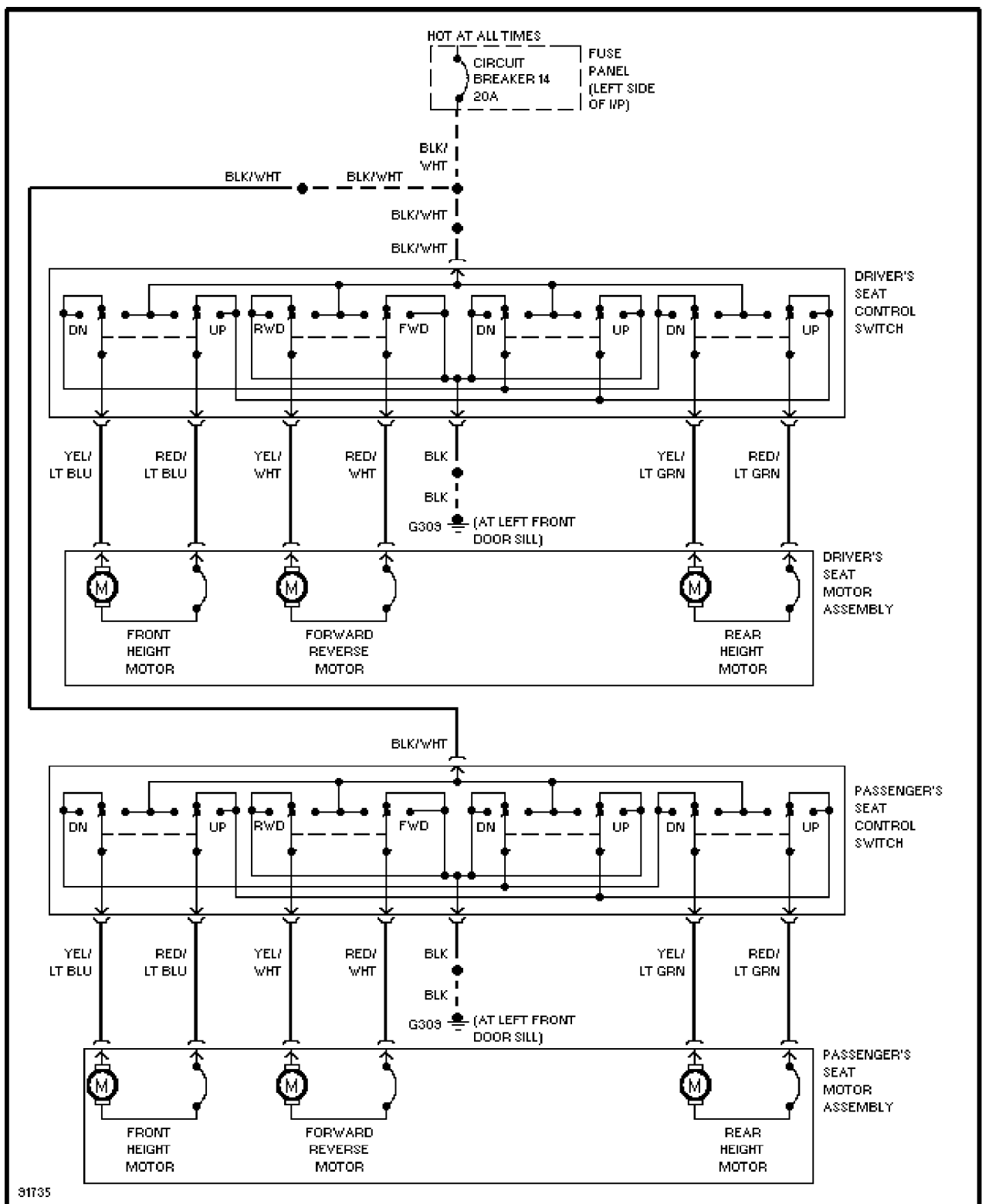
## Selected Block (p. 7)

1991 Ford Taurus

For <http://www.mitchell.narod.ru/>

Copyright © 1997 Mitchell International

Friday, March 02, 2001 02:21PM



Power Seat Circuit