

# WIRING DIAGRAMS

## Selected Block

### 1991 Ford Taurus

For <http://www.mitchell.narod.ru/>  
 Copyright © 1997 Mitchell International  
 Friday, March 02, 2001 02:23PM

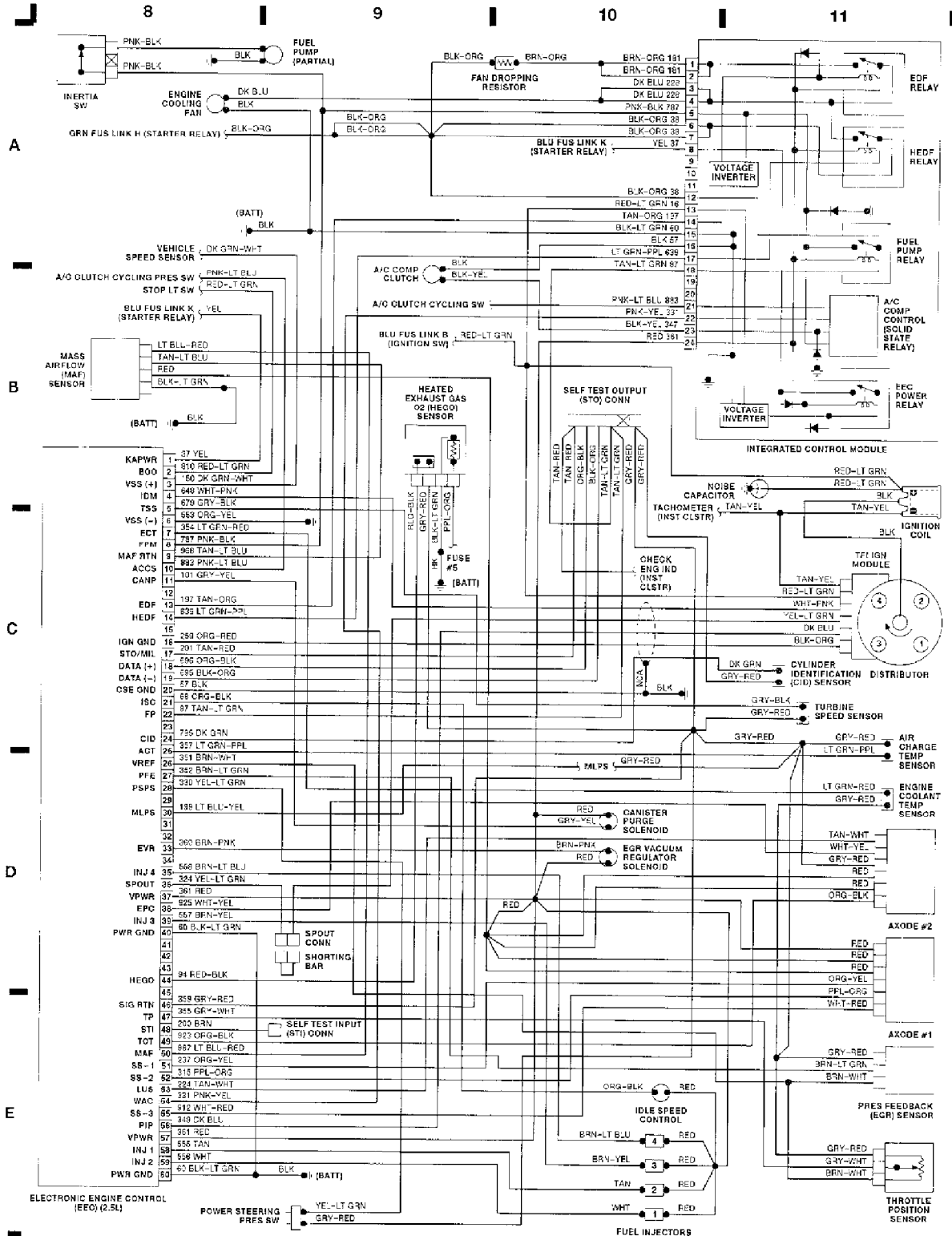


Fig. 3: Elect Engine Control (2.5L) (Grid 8-11)

# WIRING DIAGRAMS

## Selected Block (p. 2)

1991 Ford Taurus

For <http://www.mitchell.narod.ru/>

Copyright © 1997 Mitchell International

Friday, March 02, 2001 02:23PM

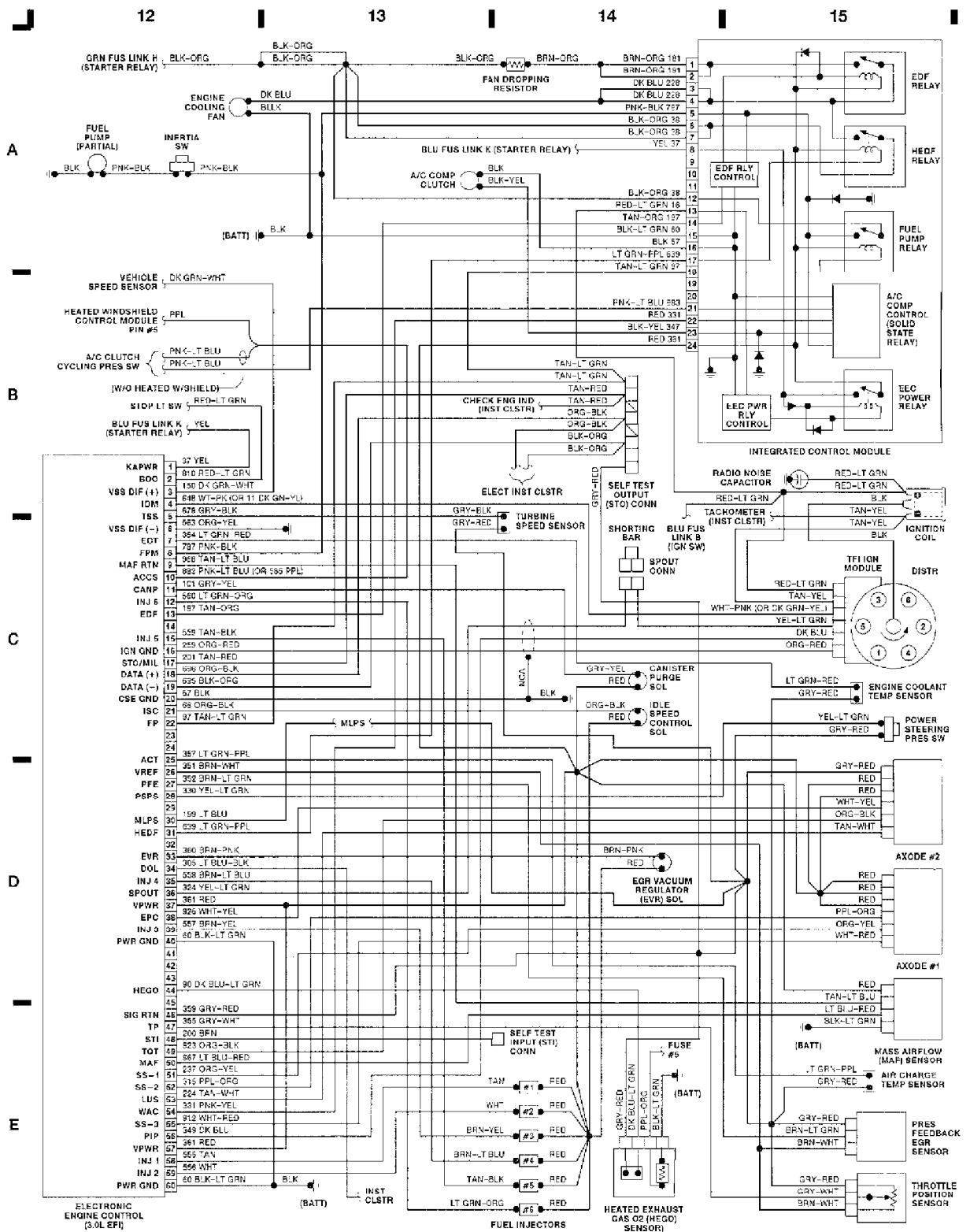


Fig. 4: Elect Engine Control (3.0L EFI) (Grid 12-15)

# WIRING DIAGRAMS

## Selected Block (p. 3)

1991 Ford Taurus

For <http://www.mitchell.narod.ru/>

Copyright © 1997 Mitchell International

Friday, March 02, 2001 02:23PM

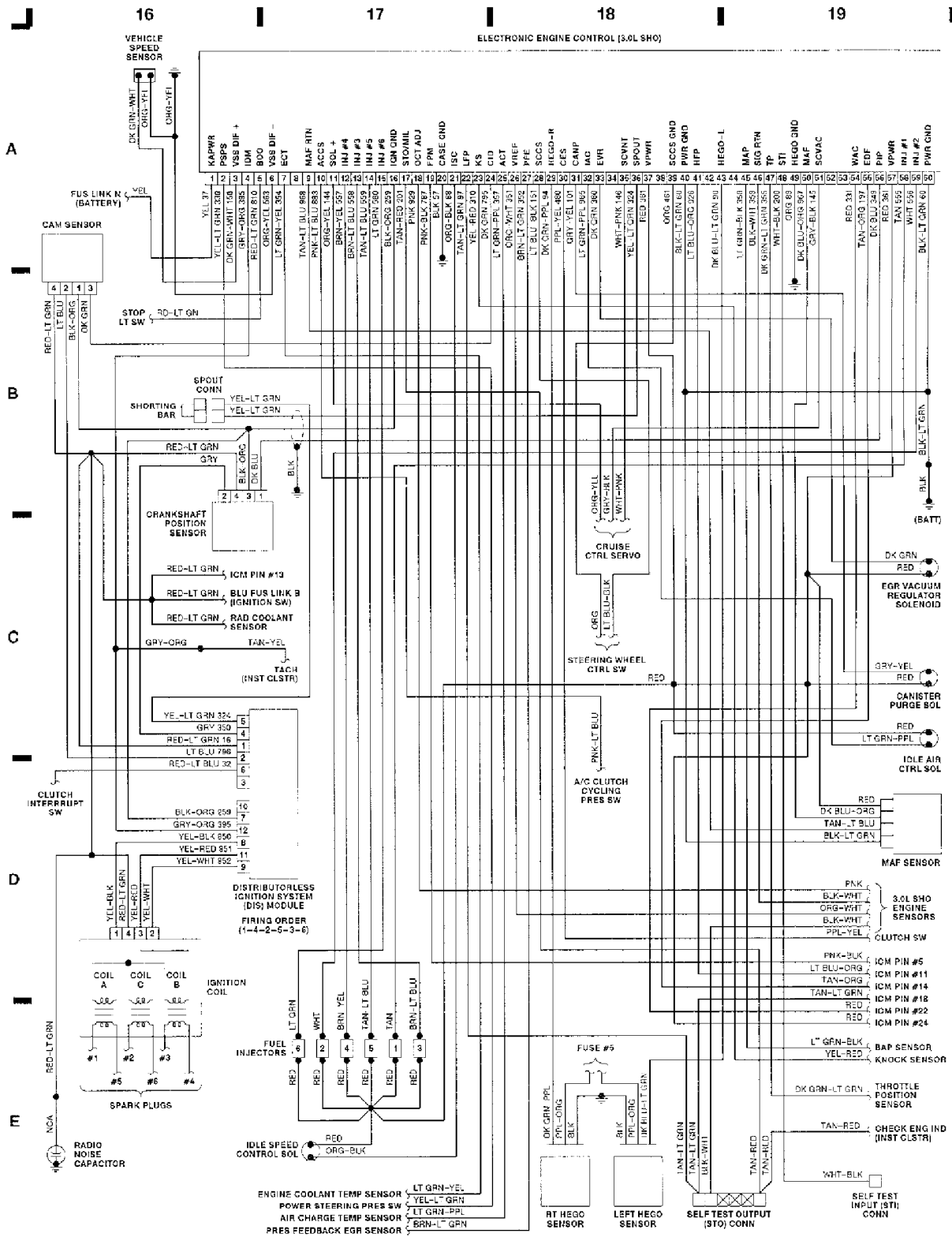


Fig. 5: Elect Engine Control (3.0L SHO) (Grid 16-19)

# WIRING DIAGRAMS

## Selected Block (p. 4)

1991 Ford Taurus

For <http://www.mitchell.narod.ru/>

Copyright © 1997 Mitchell International

Friday, March 02, 2001 02:23PM

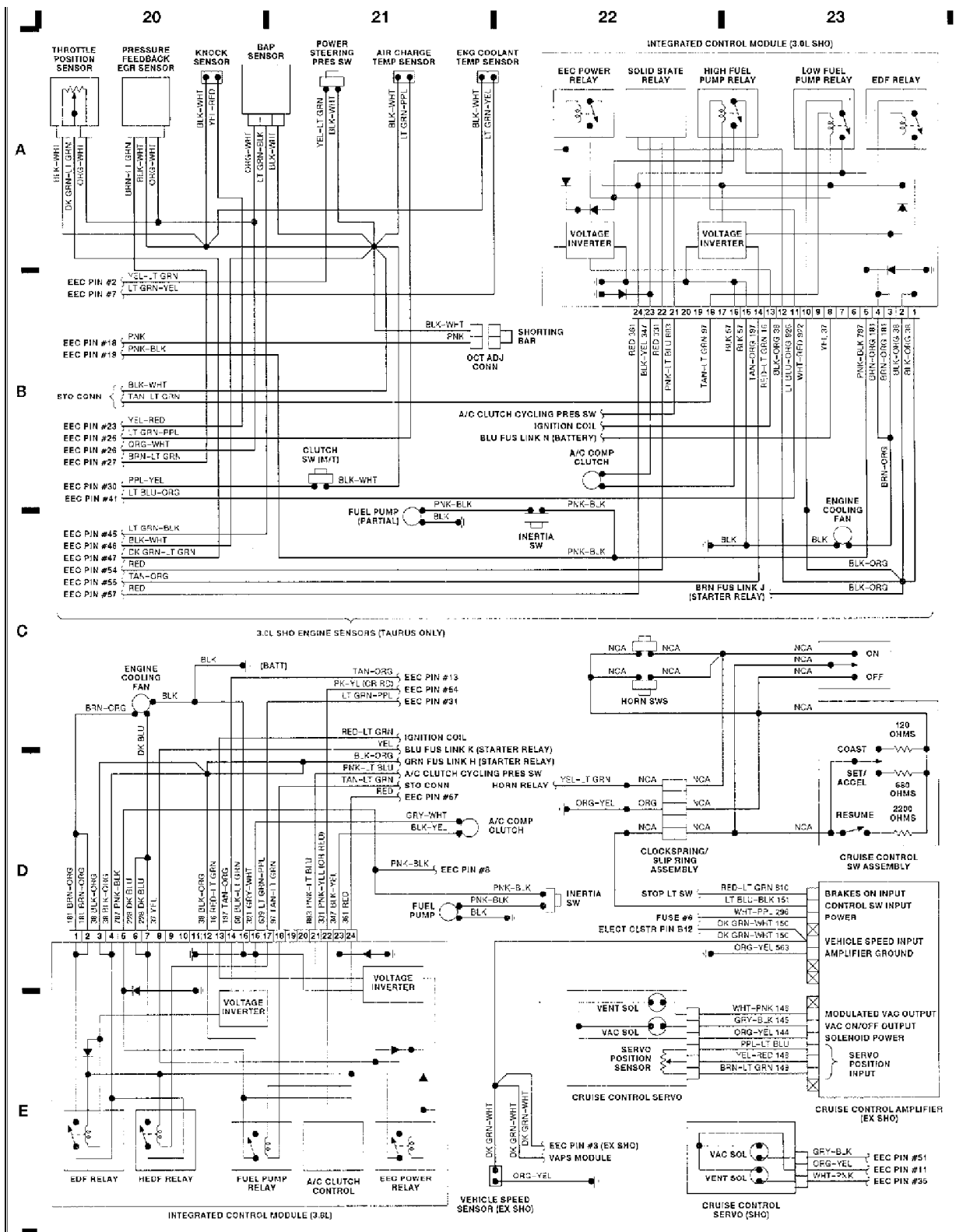


Fig. 6: Cruise Control, ICM (3.0L SHO/3.8L) (Grid 20-23)