

WIRING DIAGRAMS

Selected Block

1991 Ford Taurus

For <http://www.mitchell.narod.ru/>
 Copyright © 1997 Mitchell International
 Friday, March 02, 2001 02:23PM

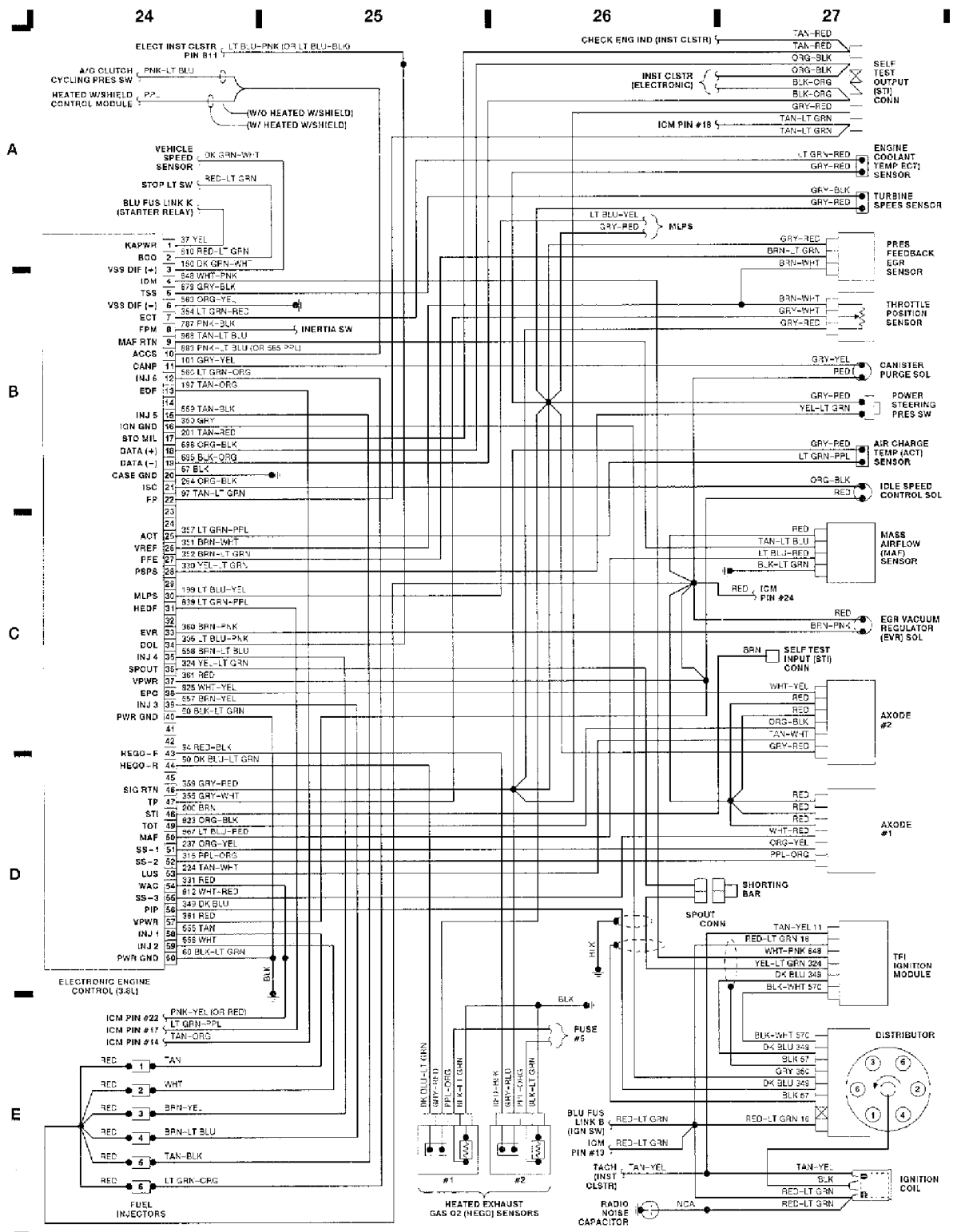


Fig. 7: Elect Engine Control (3.8L) (Grid 24-27)

WIRING DIAGRAMS

Selected Block (p. 3)

1991 Ford Taurus

For <http://www.mitchell.narod.ru/>

Copyright © 1997 Mitchell International

Friday, March 02, 2001 02:23PM

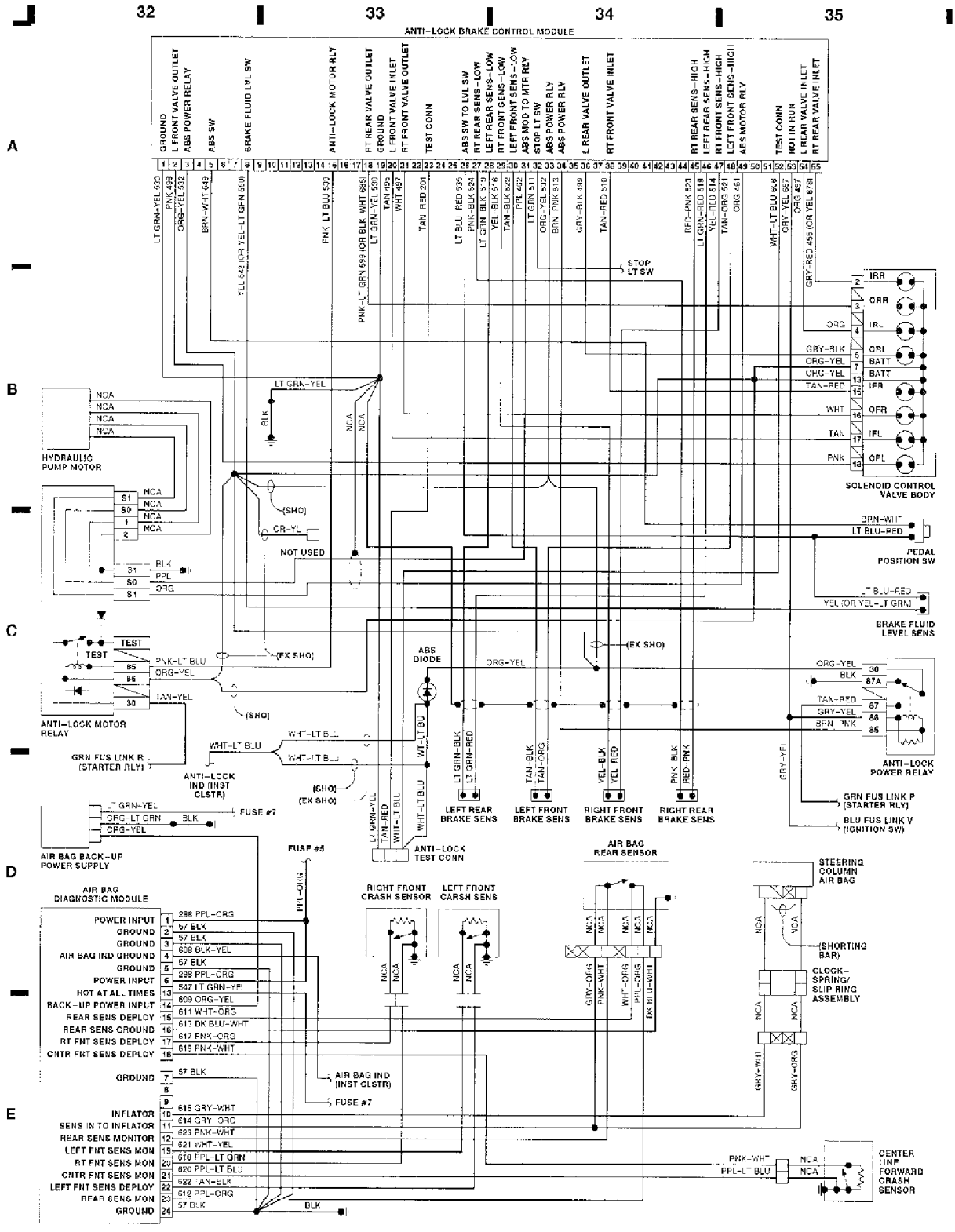


Fig. 9: ABS, Air Bag (Grid 32-35)

