

# WIRING DIAGRAMS

## Selected Block

### 1991 Ford Taurus

For <http://www.mitchell.narod.ru/>  
 Copyright © 1997 Mitchell International  
 Friday, March 02, 2001 02:23PM

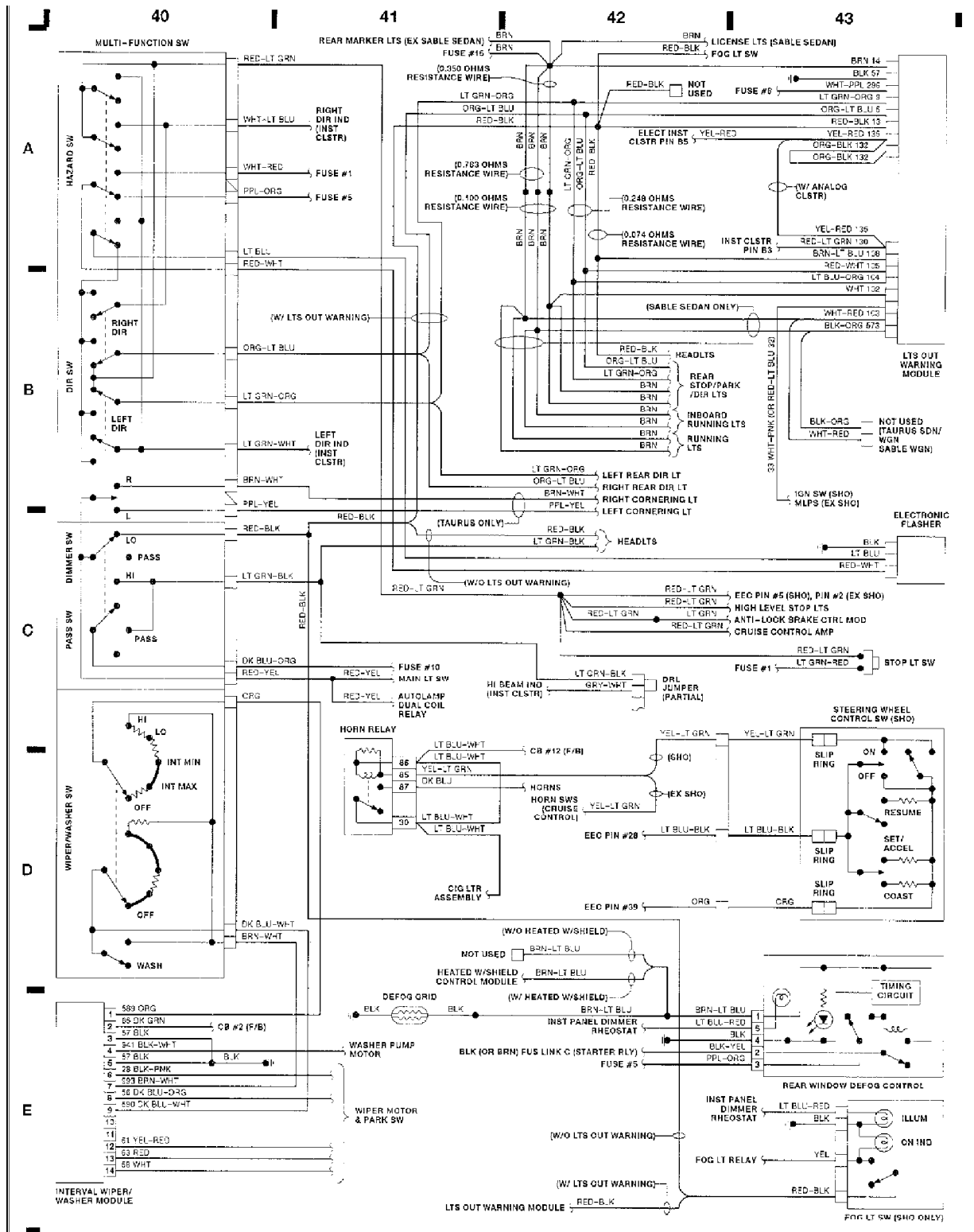


Fig. 11: Multi-Function Sw, Steering Wheel Ctrl Sw (Grid 40-43)

# WIRING DIAGRAMS

## Selected Block (p. 2)

1991 Ford Taurus

For <http://www.mitchell.narod.ru/>

Copyright © 1997 Mitchell International

Friday, March 02, 2001 02:23PM

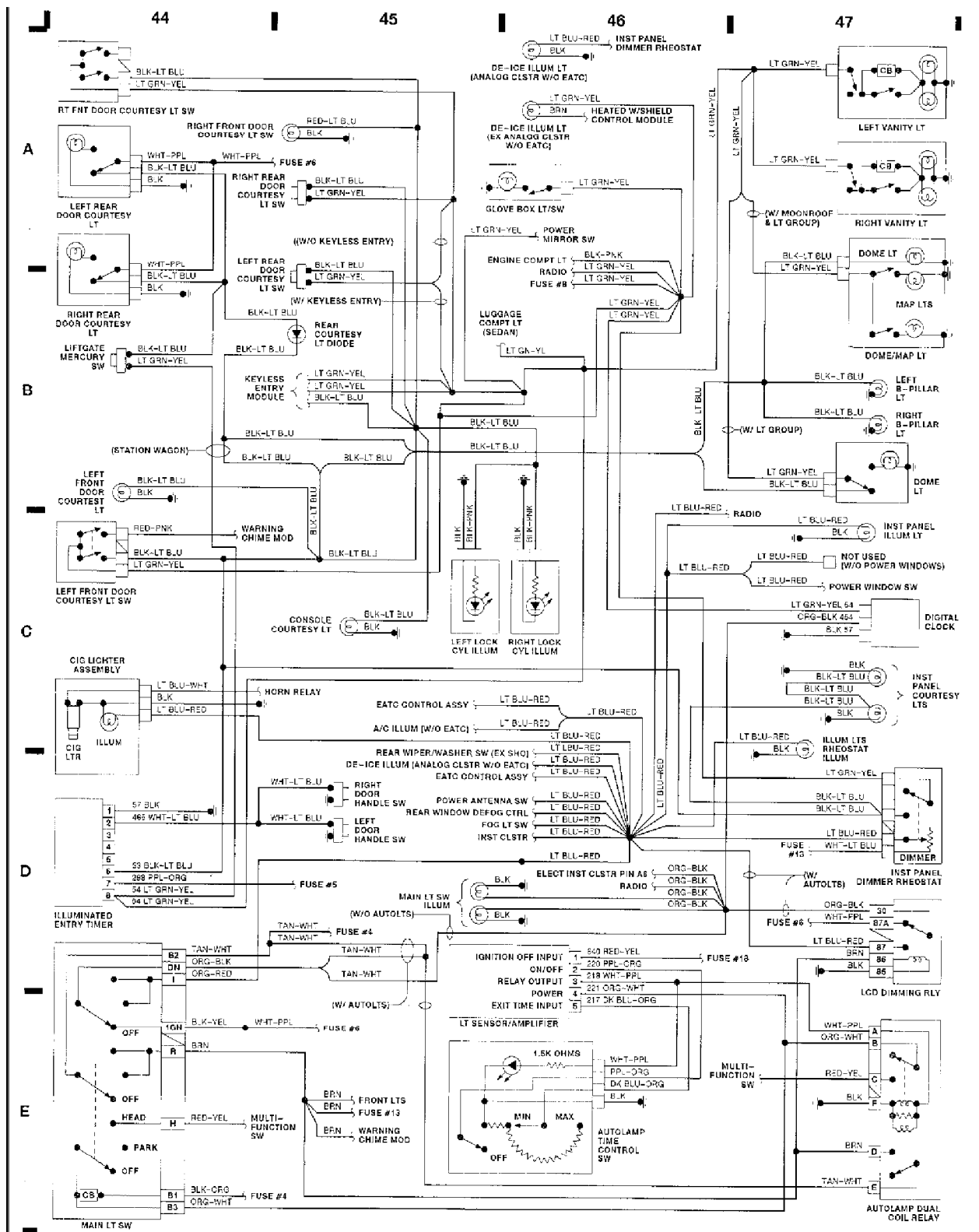


Fig. 12: Interior Lights (Grid 44-47)

# WIRING DIAGRAMS

## Selected Block (p. 3)

1991 Ford Taurus

For <http://www.mitchell.narod.ru/>

Copyright © 1997 Mitchell International

Friday, March 02, 2001 02:23PM

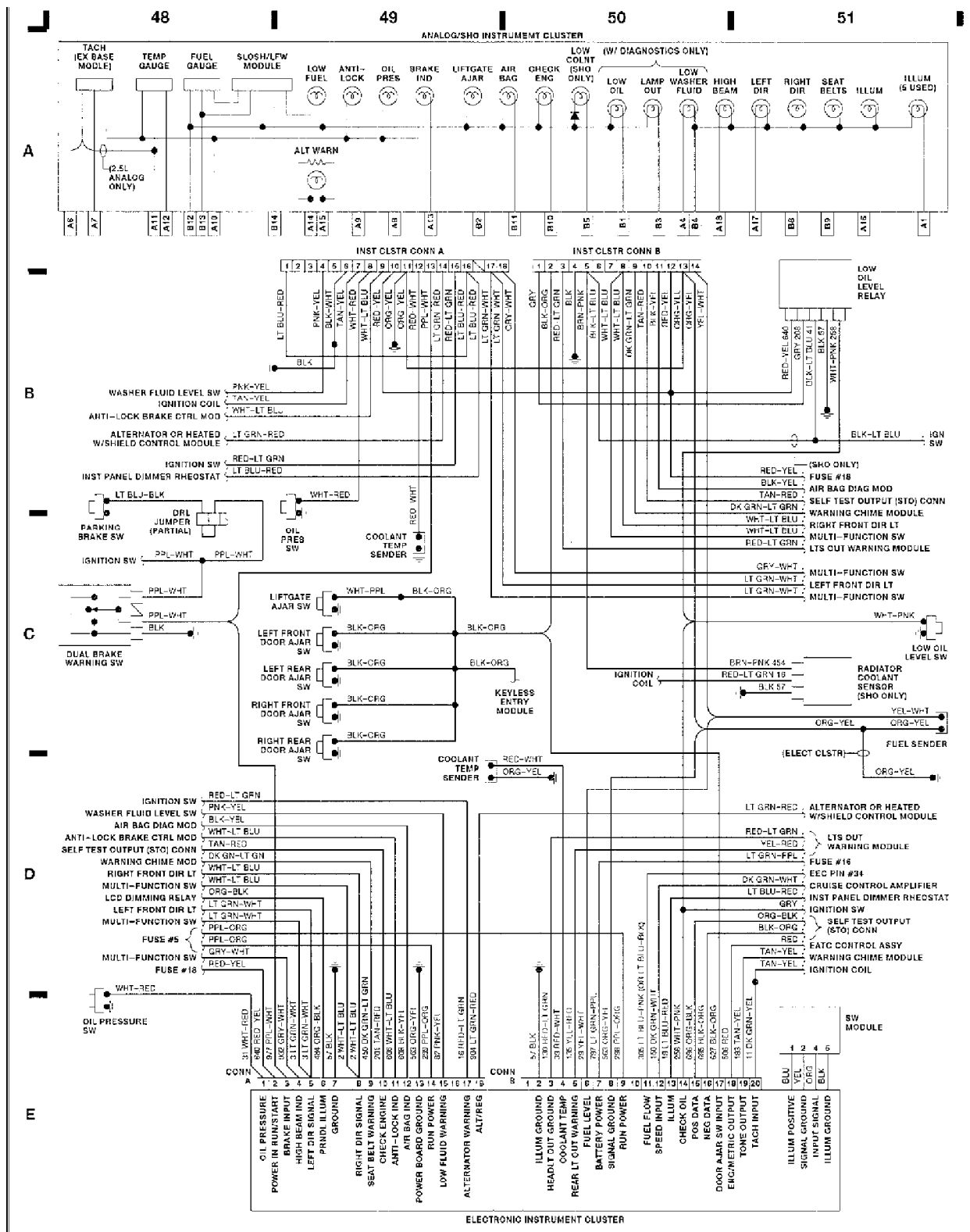


Fig. 13: Instrument Clusters (Grid 48-51)

# WIRING DIAGRAMS

## Selected Block (p. 4)

1991 Ford Taurus

For <http://www.mitchell.narod.ru/>

Copyright © 1997 Mitchell International

Friday, March 02, 2001 02:23PM

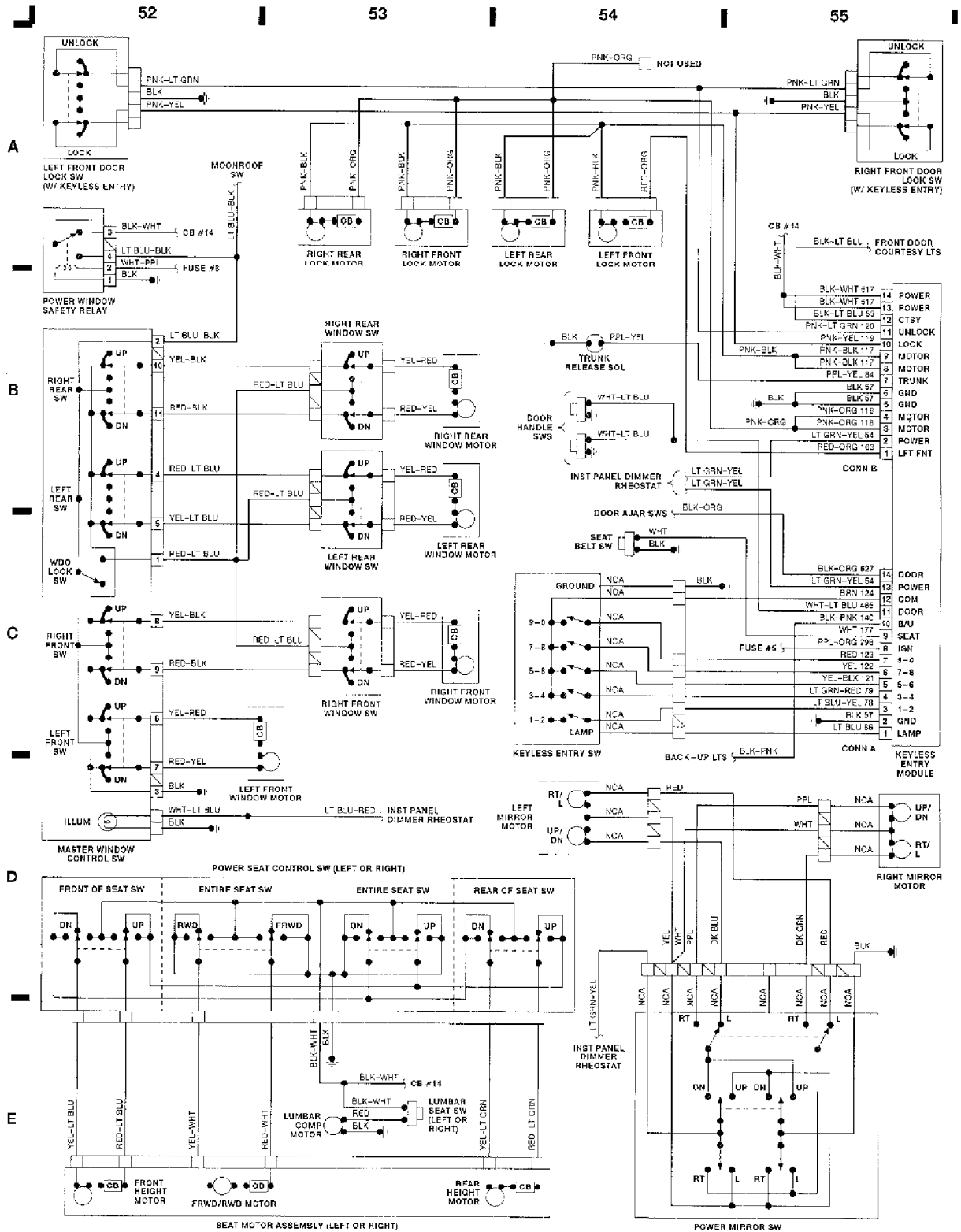


Fig. 14: Keyless Entry, Power Seat/Window (Grid 52-55)