

WIRING DIAGRAMS

Selected Block

1992 Ford Taurus

For <http://www.mitchell.narod.ru/>
 Copyright © 1997 Mitchell International
 Friday, March 02, 2001 02:25PM

WIRING DIAGRAMS

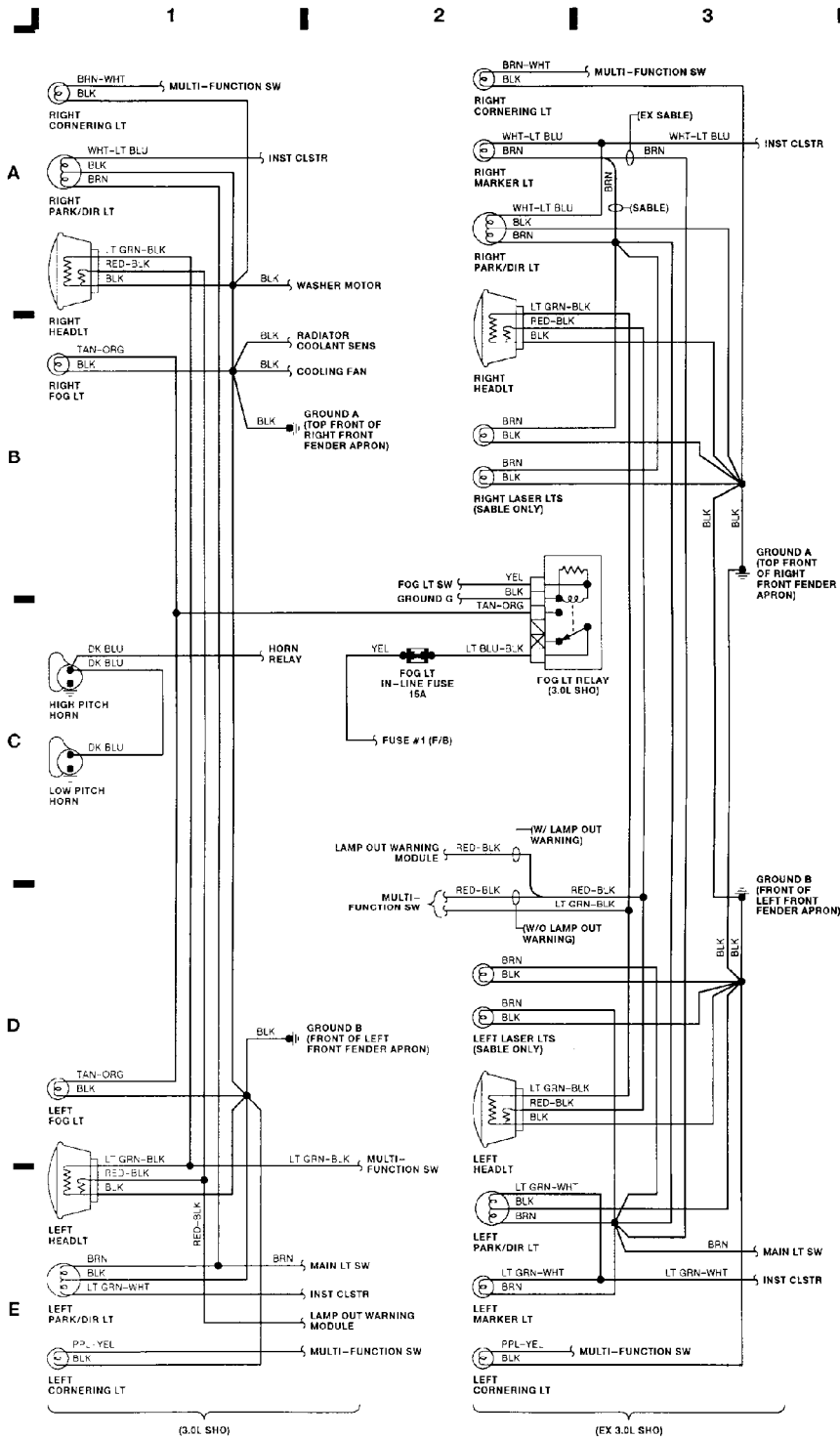


Fig. 1: Headlights (3.0L SHO) & (Except 3.0L SHO) (Grid 1-3)

WIRING DIAGRAMS

Selected Block (p. 2)

1992 Ford Taurus

For <http://www.mitchell.narod.ru/>

Copyright © 1997 Mitchell International

Friday, March 02, 2001 02:25PM

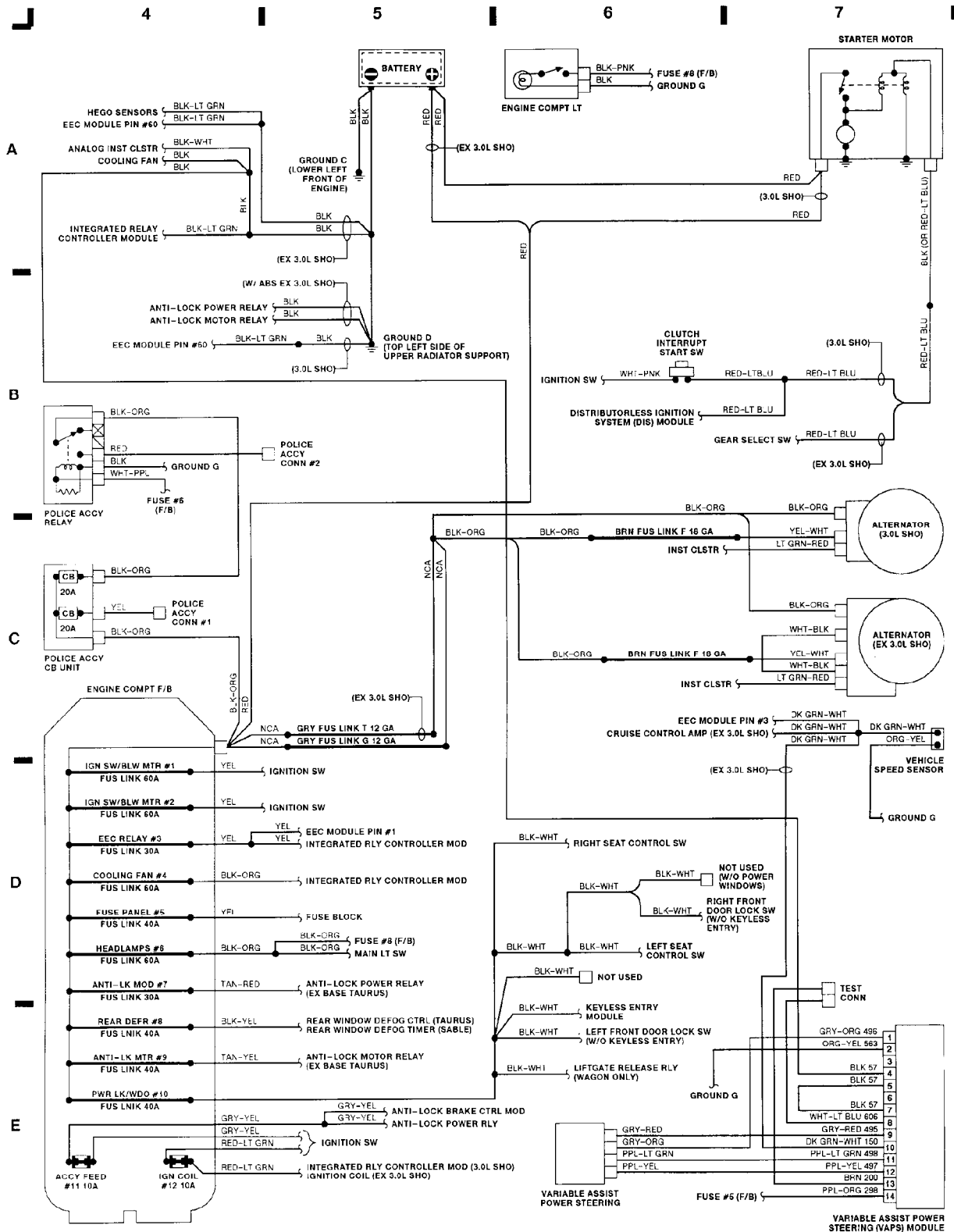


Fig. 2: Engine Compartment, VAPS, Engine Compartment F/B (Grid 4-7)

WIRING DIAGRAMS

Selected Block (p. 3)

1992 Ford Taurus

For <http://www.mitchell.narod.ru/>

Copyright © 1997 Mitchell International

Friday, March 02, 2001 02:25PM

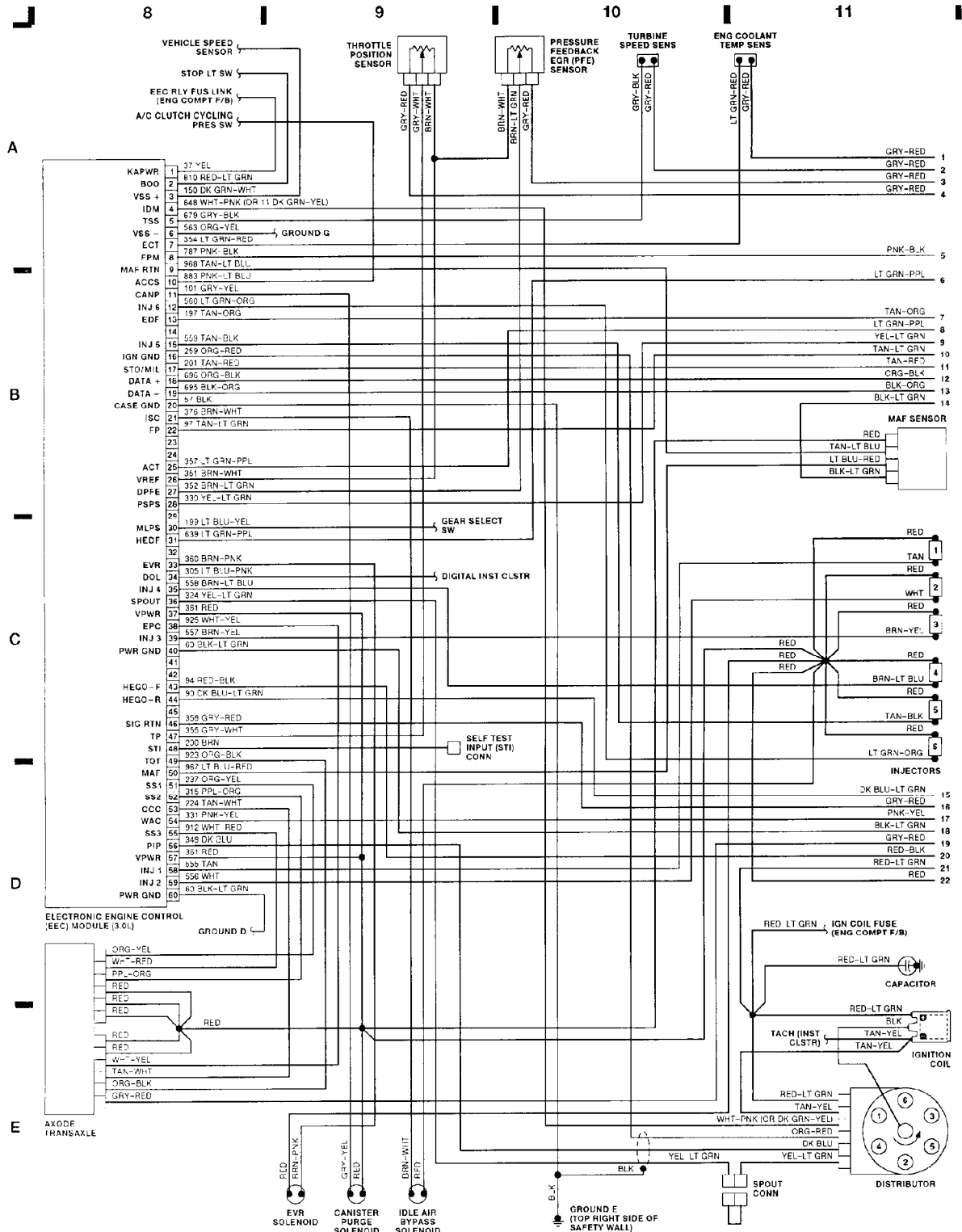


Fig. 3: Electronic Engine Control (3.0L) (Grid 8-11)

WIRING DIAGRAMS

Selected Block (p. 4)

1992 Ford Taurus

For <http://www.mitchell.narod.ru/>

Copyright © 1997 Mitchell International

Friday, March 02, 2001 02:25PM

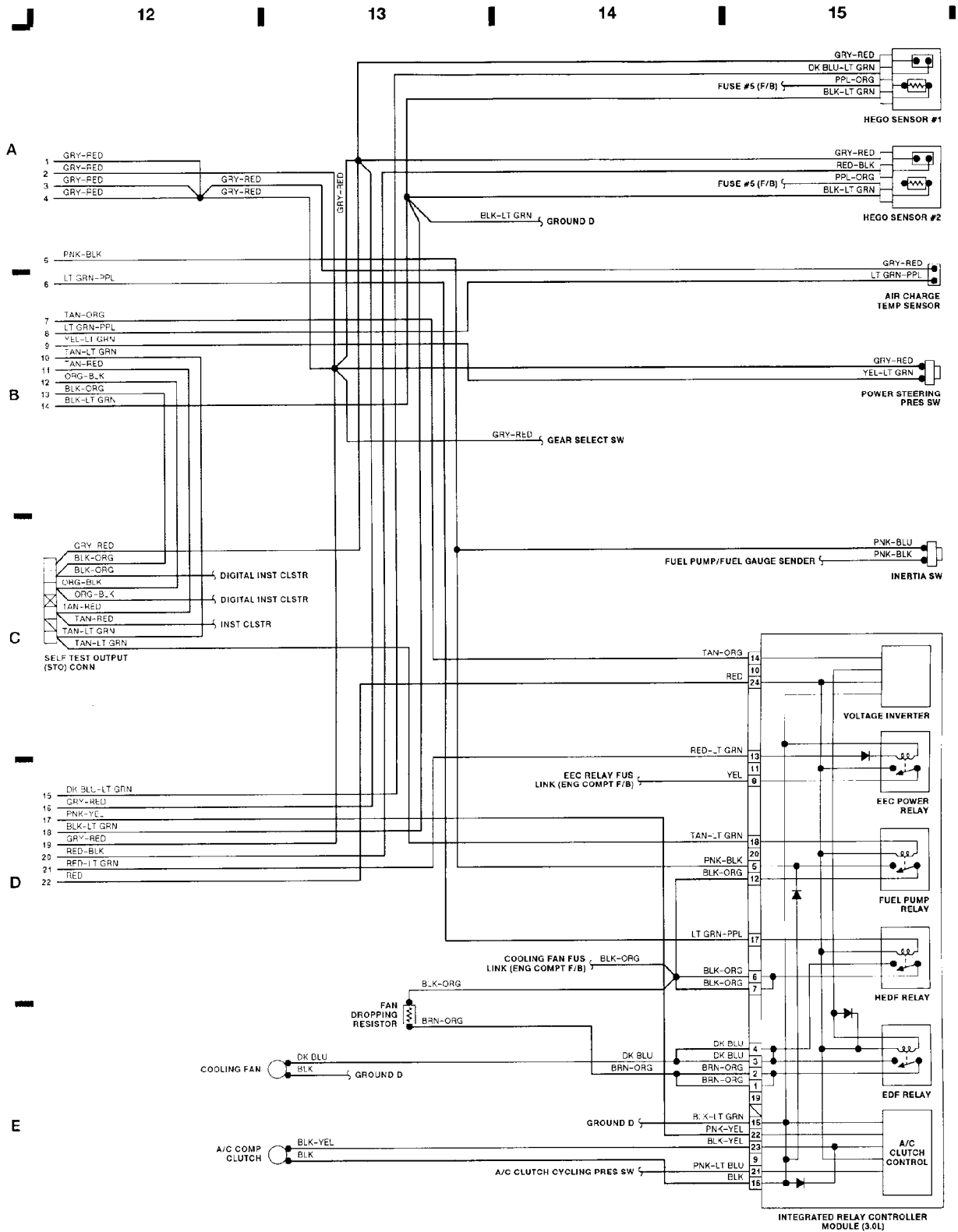


Fig. 4: Integrated Relay Controller Module (3.0L) (Grid 12-15)

WIRING DIAGRAMS

Selected Block (p. 5)

1992 Ford Taurus

For <http://www.mitchell.narod.ru/>

Copyright © 1997 Mitchell International

Friday, March 02, 2001 02:25PM

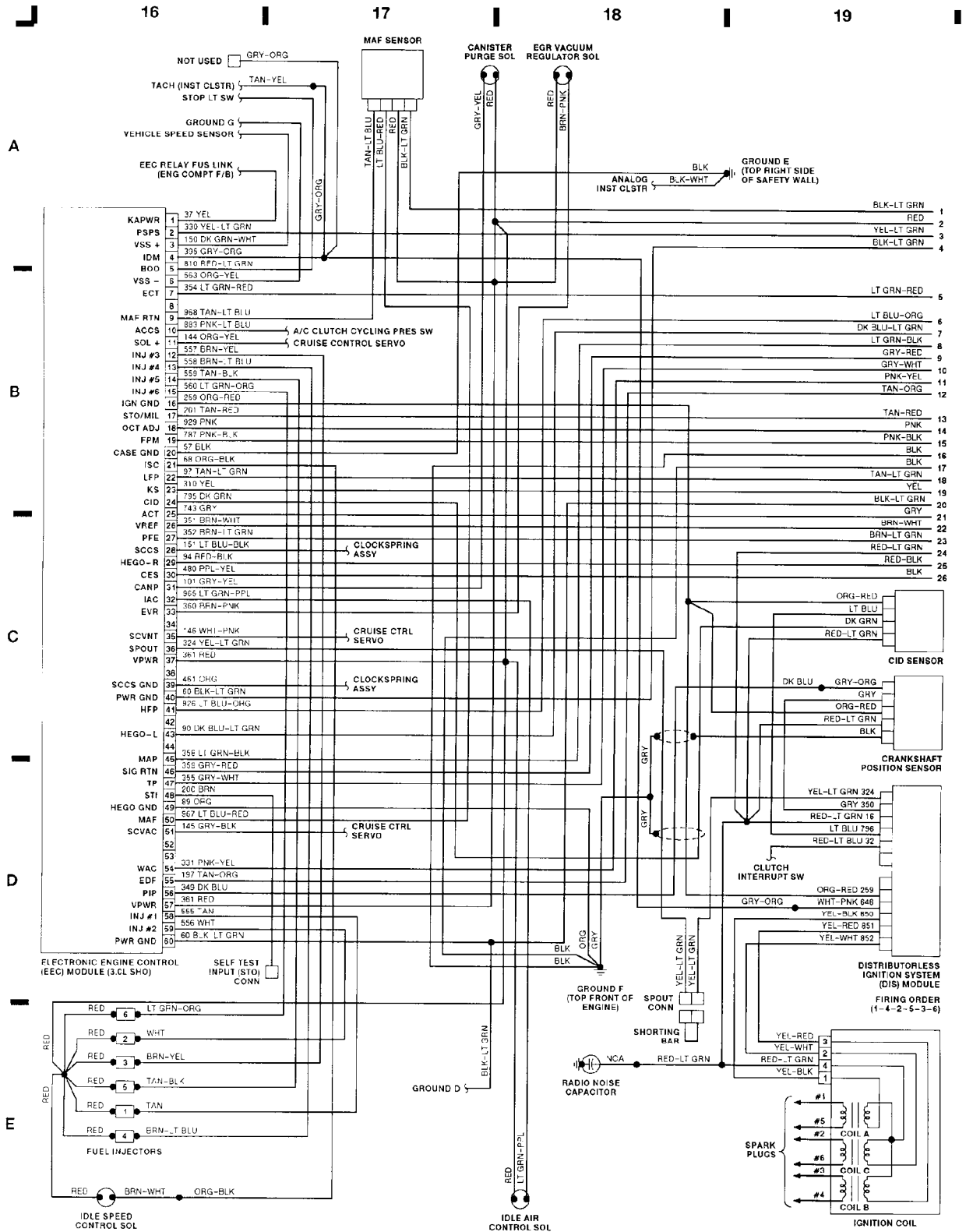


Fig. 5: Electronic Engine Control (3.0L SHO) (Grid 16-19)