

WIRING DIAGRAMS
Selected Block
 1992 Ford Taurus
 For <http://www.mitchell.narod.ru/>
 Copyright © 1997 Mitchell International
 Friday, March 02, 2001 02:25PM

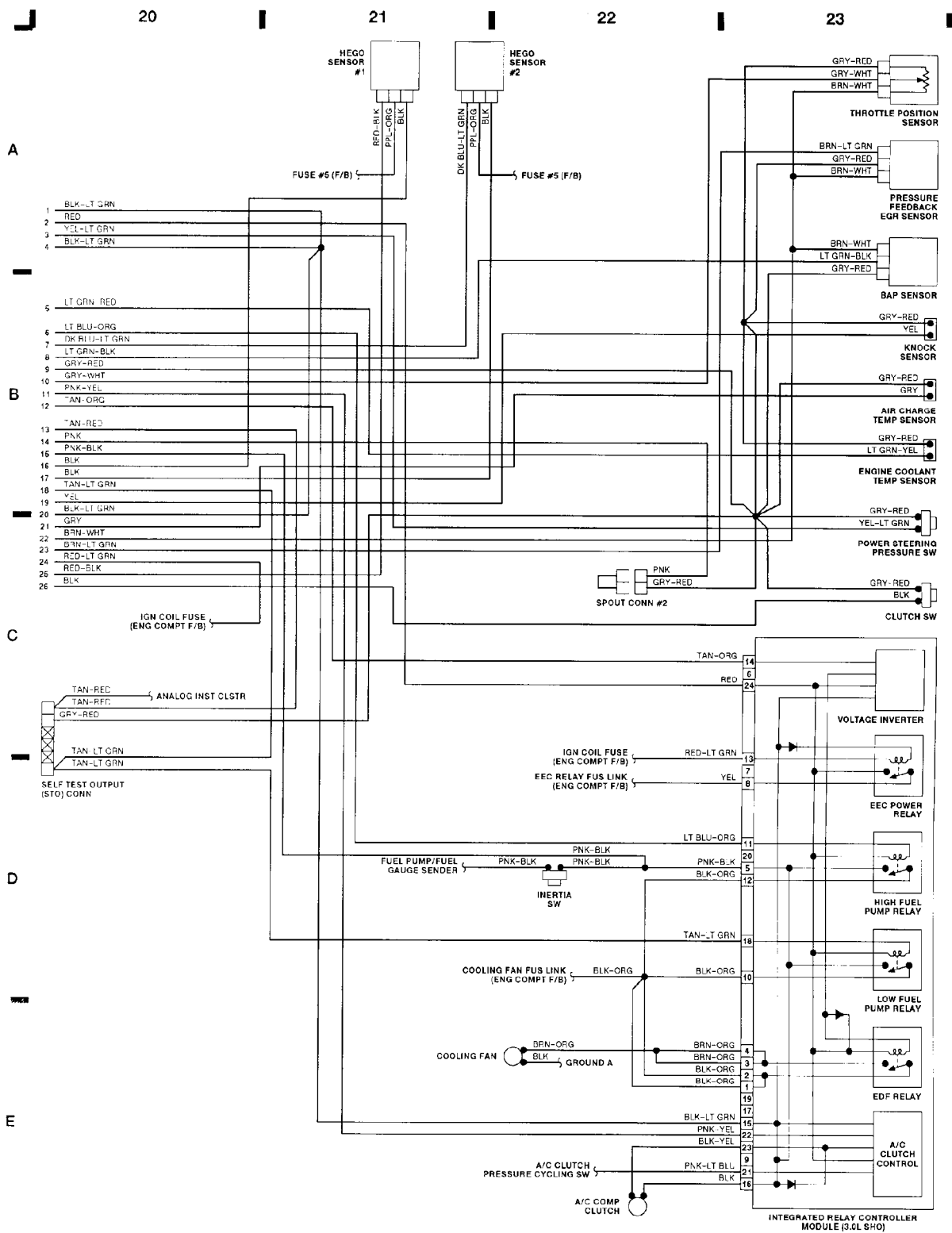


Fig. 6: Integrated Relay Controller Module (3.0L SHO) (Grid 20-23)

WIRING DIAGRAMS

Selected Block (p. 2)

1992 Ford Taurus

For <http://www.mitchell.narod.ru/>

Copyright © 1997 Mitchell International

Friday, March 02, 2001 02:25PM

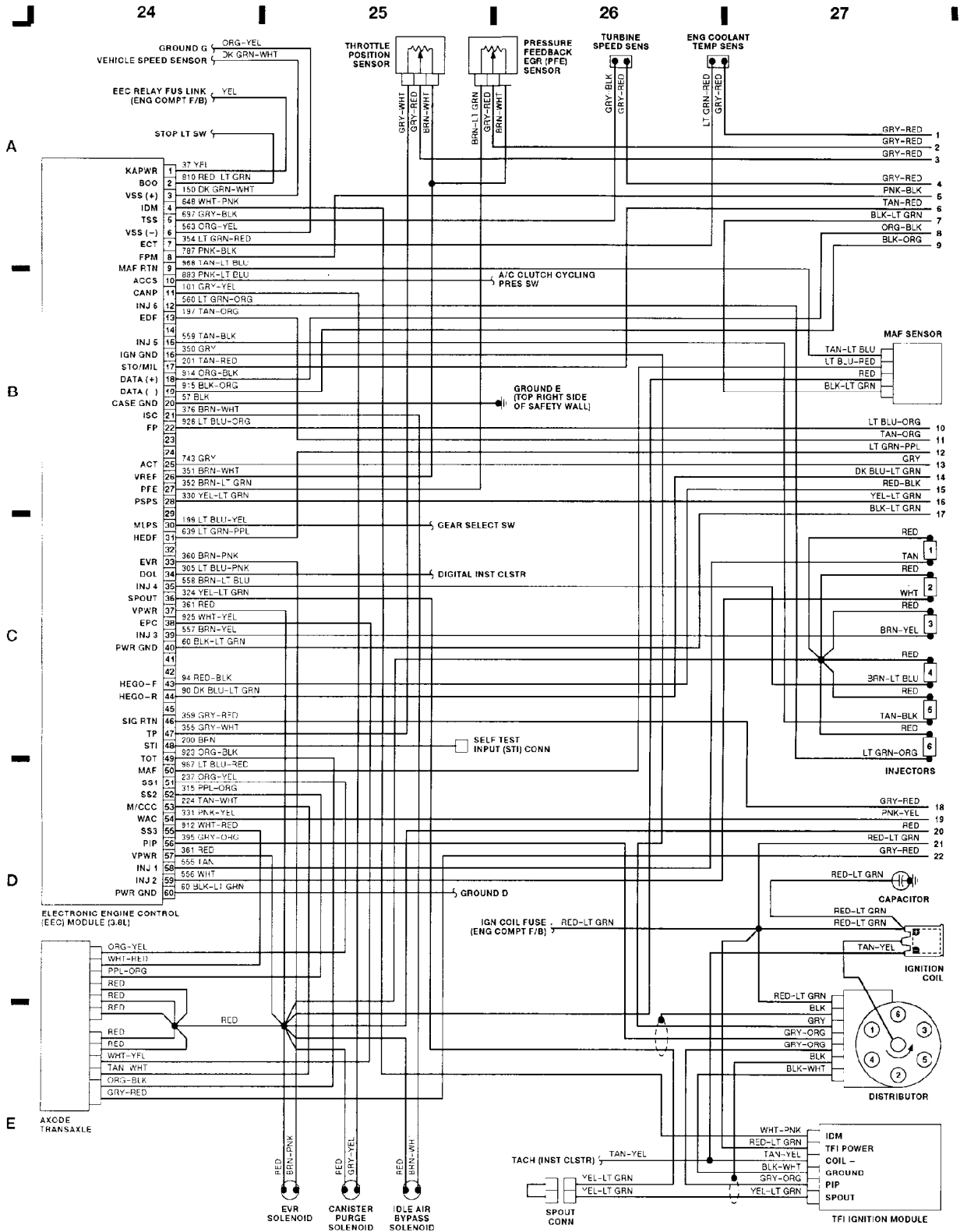


Fig. 7: Electronic Engine Control (3.8L) (Grid 24-27)

WIRING DIAGRAMS

Selected Block (p. 3)

1992 Ford Taurus

For <http://www.mitchell.narod.ru/>

Copyright © 1997 Mitchell International

Friday, March 02, 2001 02:25PM

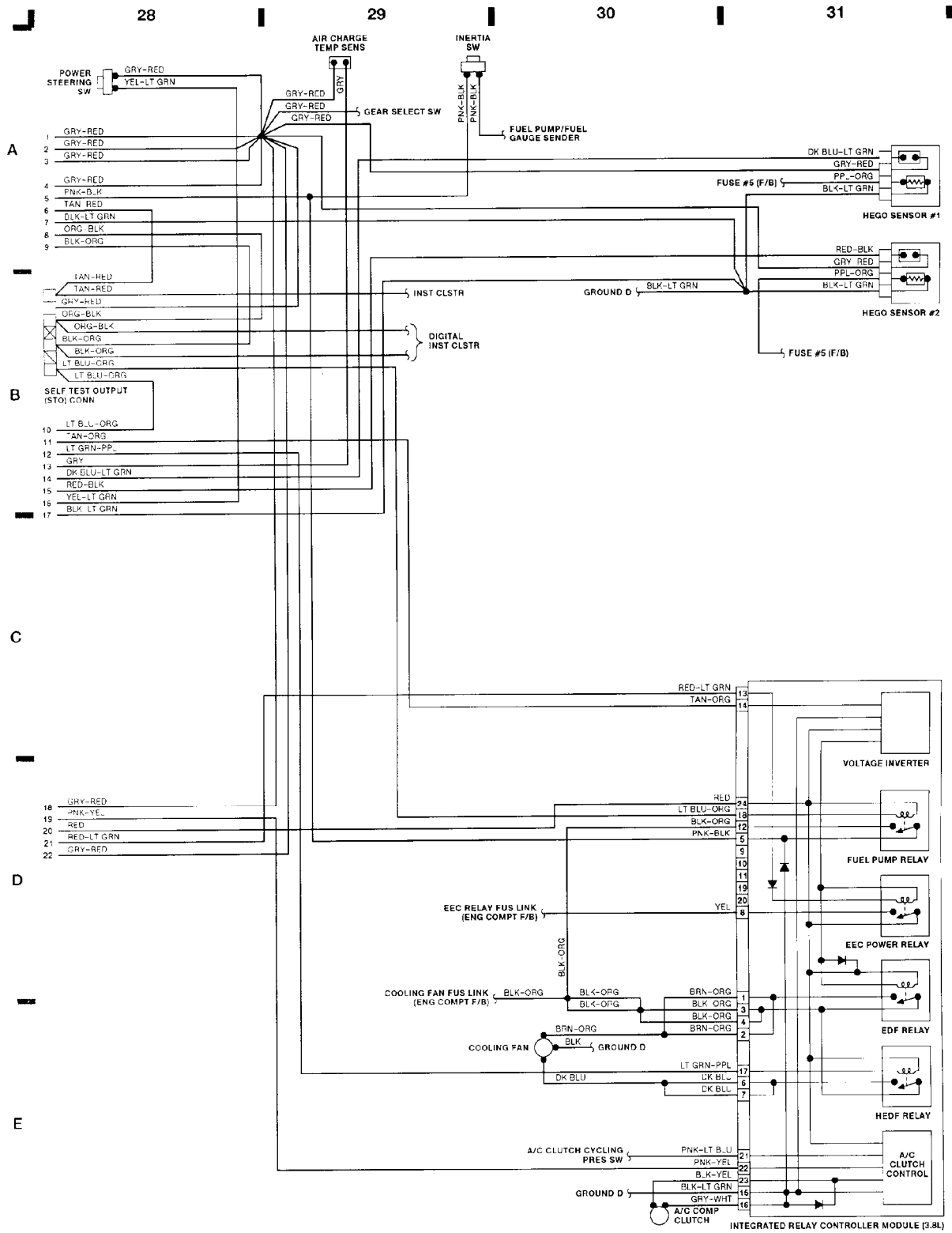


Fig. 8: Integrated Relay Controller Module (3.8L) (Grid 28-31)

WIRING DIAGRAMS

Selected Block (p. 5)

1992 Ford Taurus

For <http://www.mitchell.narod.ru/>

Copyright © 1997 Mitchell International

Friday, March 02, 2001 02:25PM

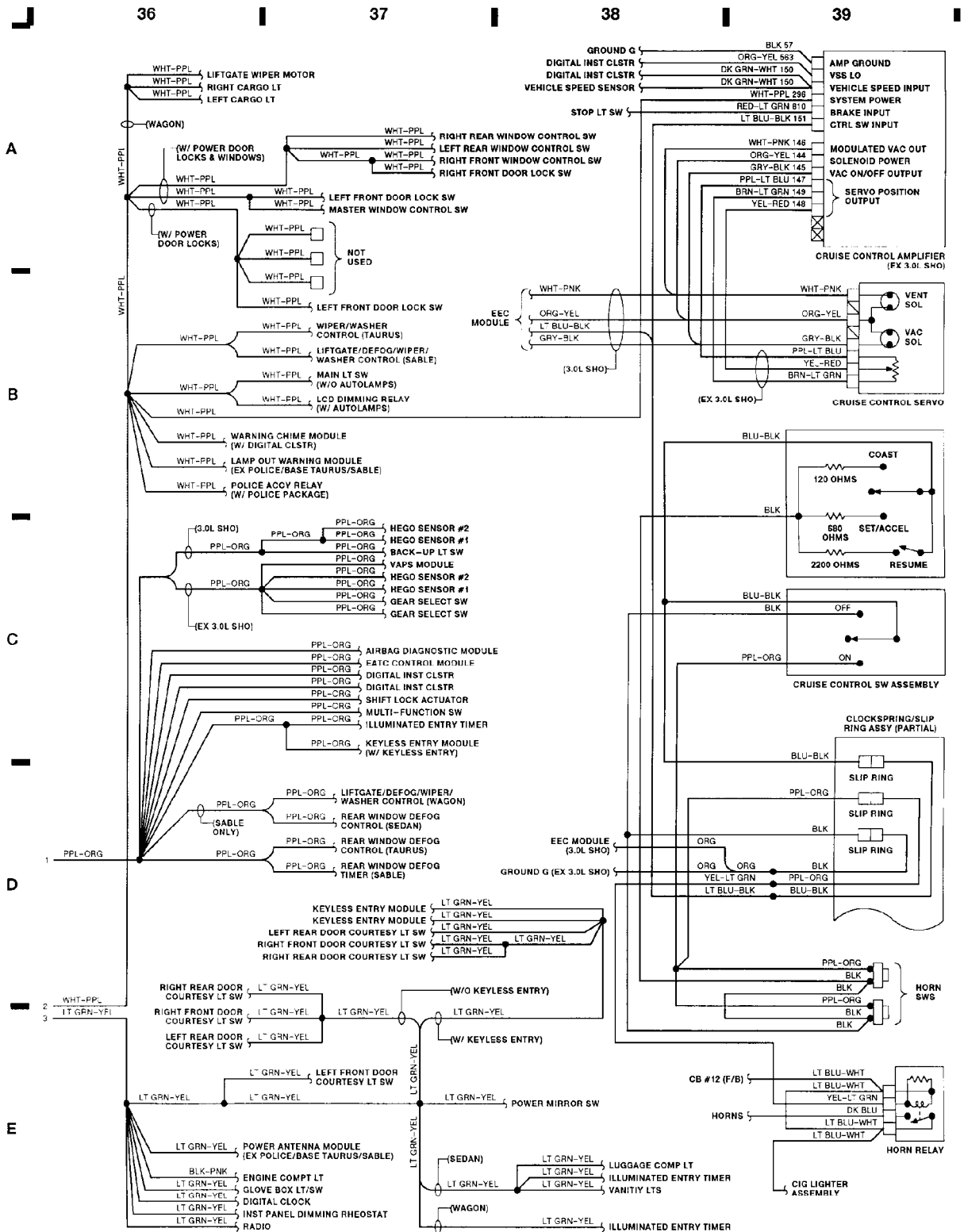


Fig. 10: Cruise Control, Clockspring/Slip Ring Assy (Grid 36-39)