

**WIRING DIAGRAMS**  
**Selected Block**  
 1993 Ford Taurus  
 For <http://www.mitchell.narod.ru/>  
 Copyright © 1997 Mitchell International  
 Friday, March 02, 2001 02:27PM

1993 WIRING DIAGRAMS  
 Ford Motor Co. Power & Ground Distribution  
  
 Ford; Taurus

**DATA LINK CONNECTORS**

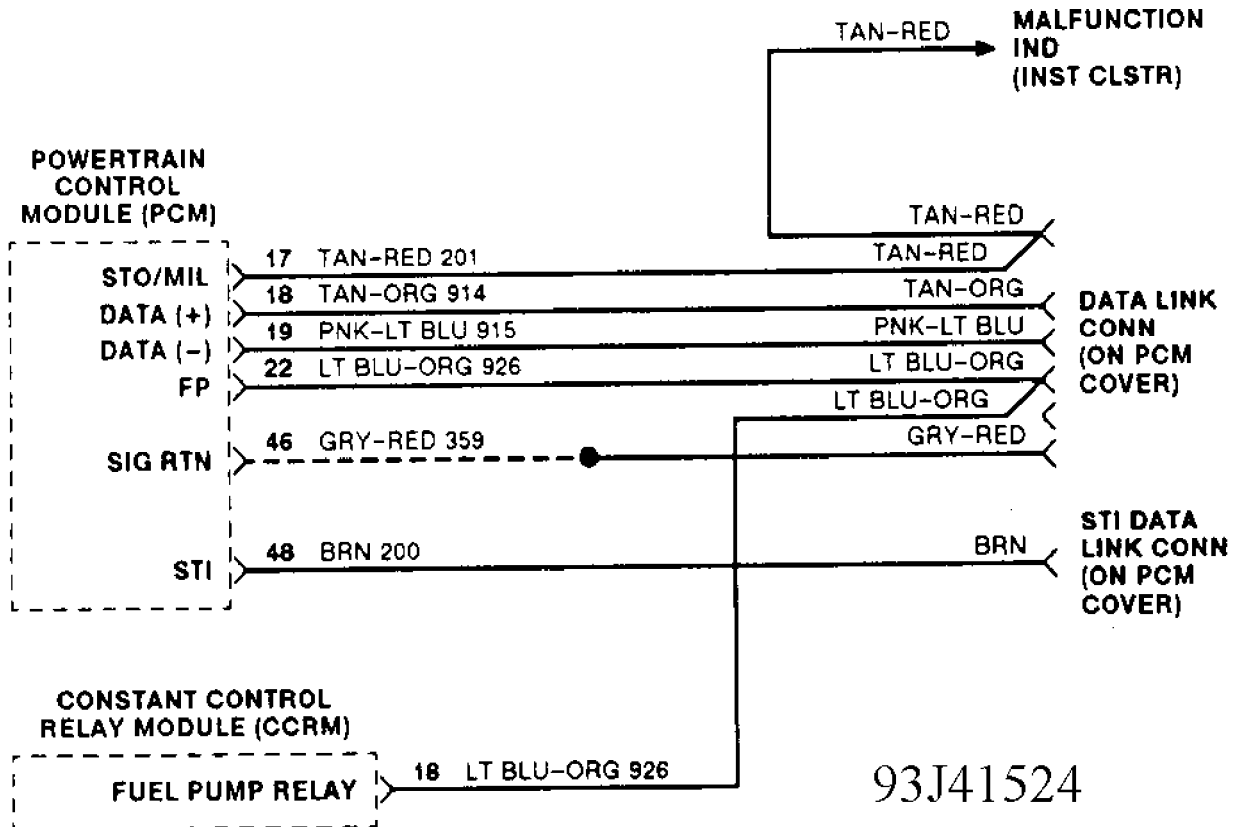


Fig. 1: Data Link Connectors (Except Flex Fuel & SHO 3.0L & 3.8L)

# WIRING DIAGRAMS

## Selected Block (p. 2)

1993 Ford Taurus

For <http://www.mitchell.narod.ru/>

Copyright © 1997 Mitchell International

Friday, March 02, 2001 02:27PM

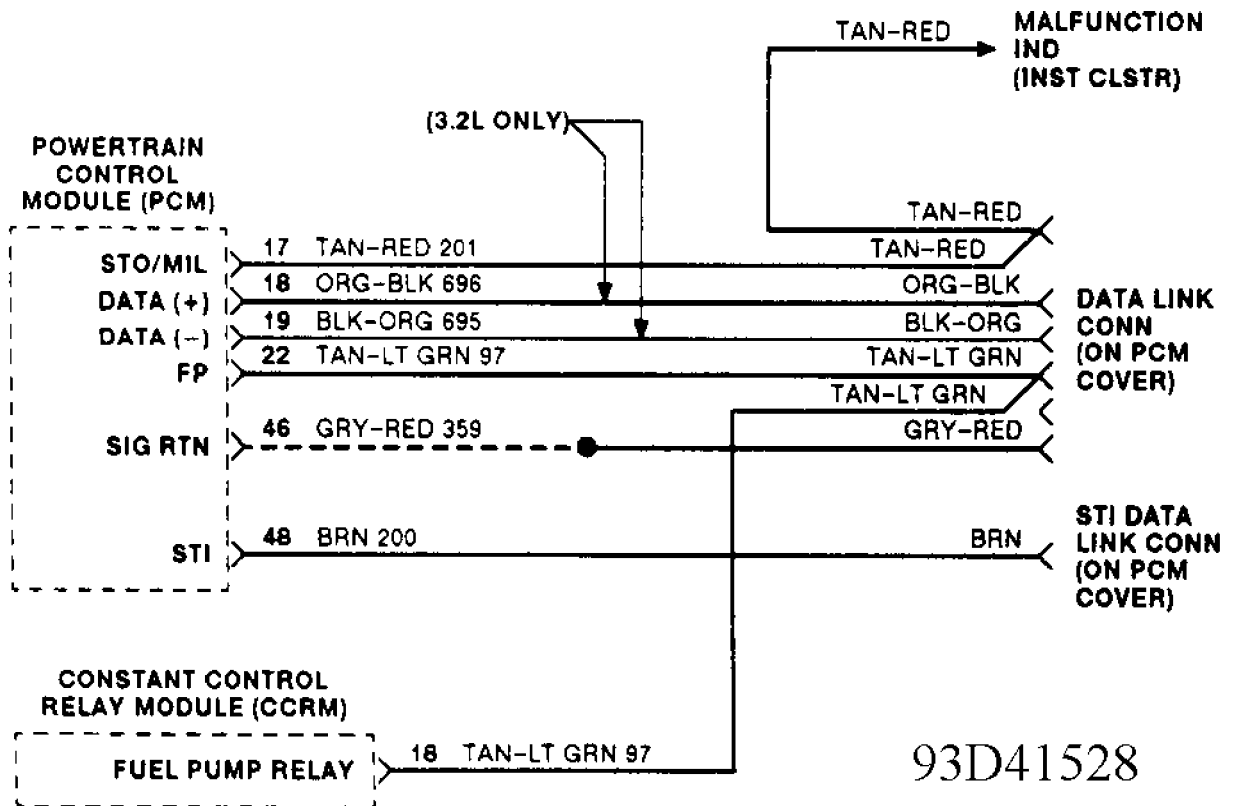


Fig. 2: Data Link Connectors (SHO 3.0L & 3.2L)

# WIRING DIAGRAMS

## Selected Block (p. 3)

1993 Ford Taurus

For <http://www.mitchell.narod.ru/>

Copyright © 1997 Mitchell International

Friday, March 02, 2001 02:27PM

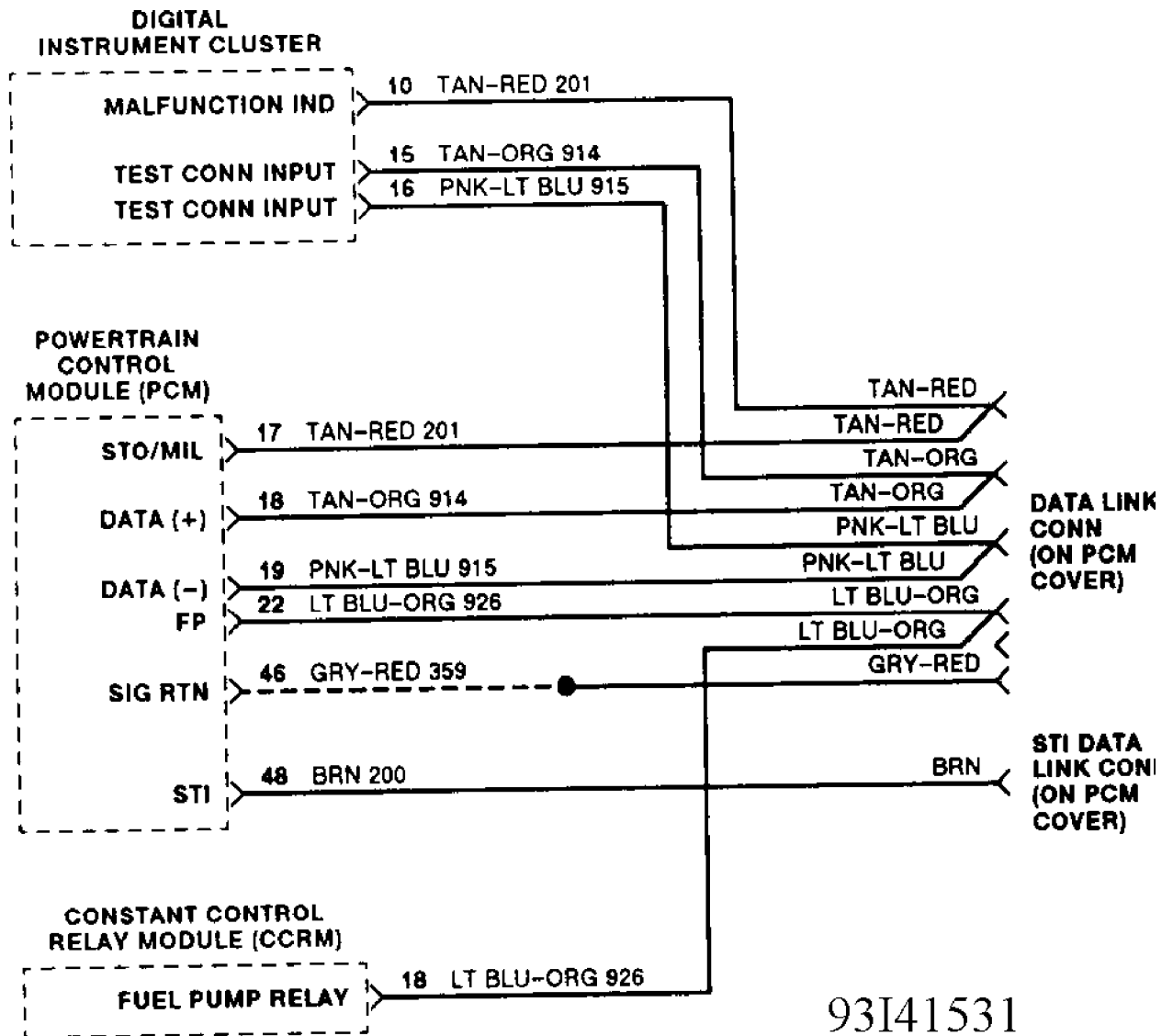


Fig. 3: Data Link Connectors (3.0L Flex Fuel)

93I41531