

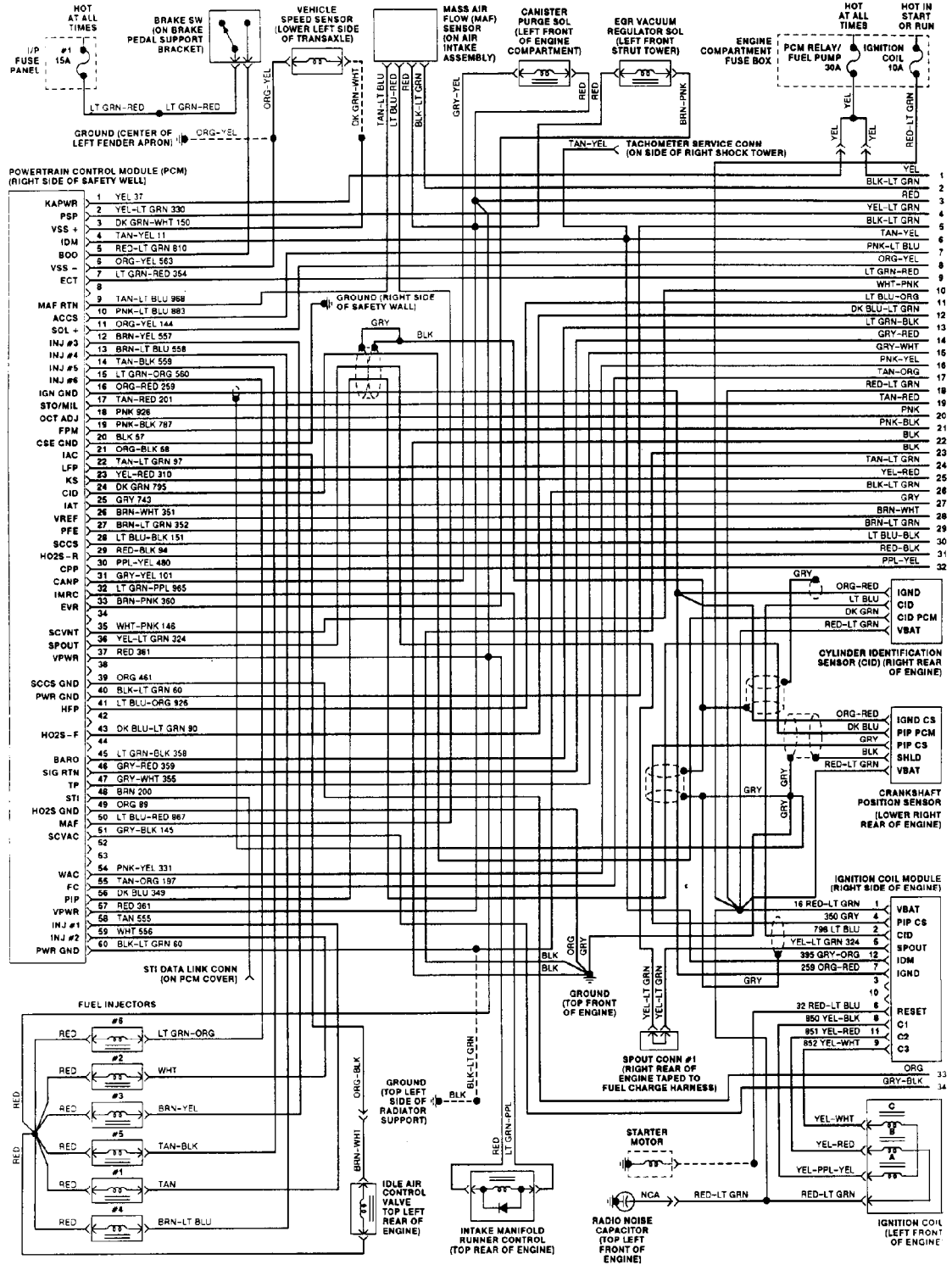
WIRING DIAGRAMS

Selected Block

1993 Ford Taurus

For <http://www.mitchell.narod.ru/>
 Copyright © 1997 Mitchell International
 Friday, March 02, 2001 02:28PM

3.0L TAURUS SHO



93H40664

Fig. 24: EEC-IV Wiring Diagram (3.0L SHO - 1 of 2)

WIRING DIAGRAMS

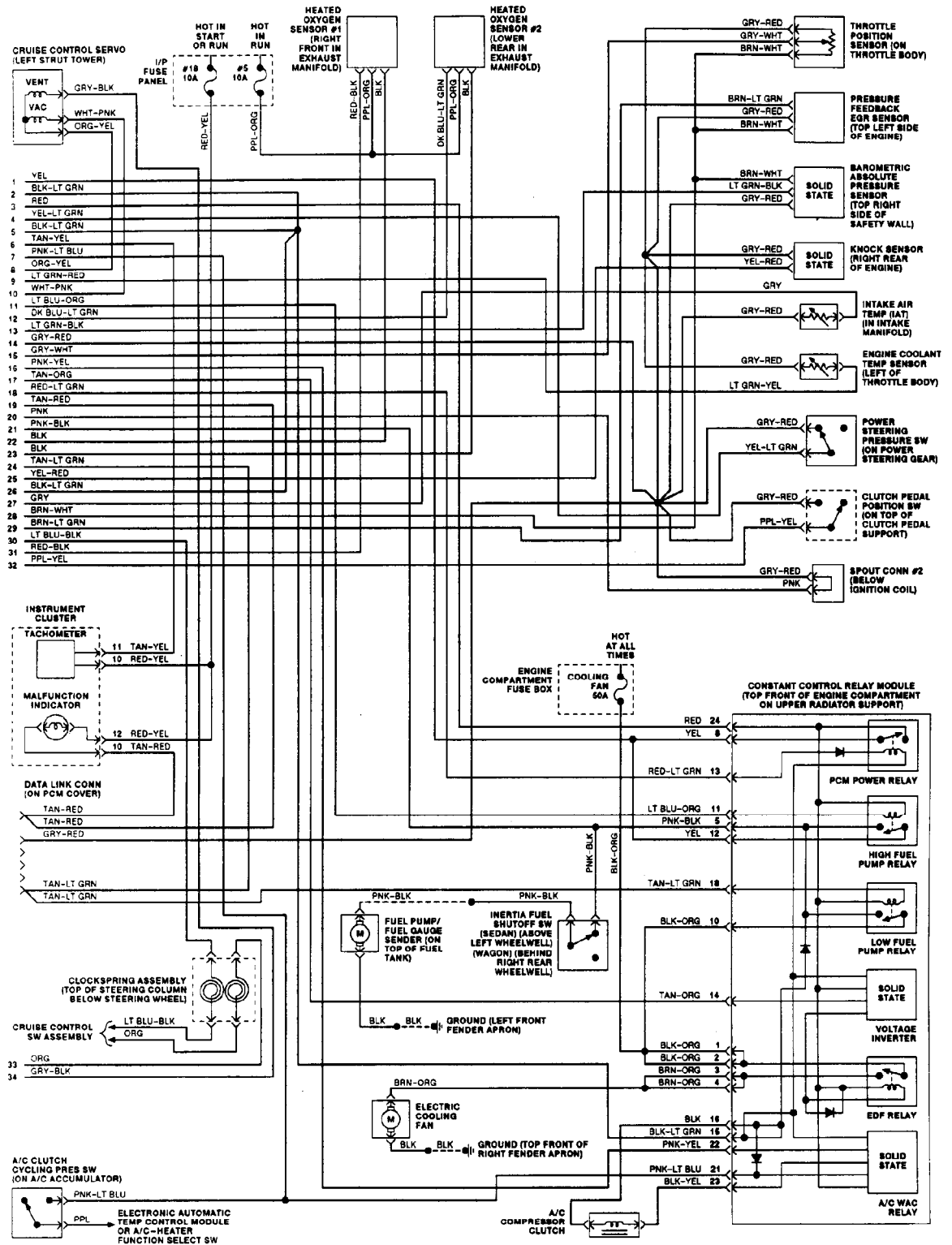
Selected Block (p. 2)

1993 Ford Taurus

For <http://www.mitchell.narod.ru/>

Copyright © 1997 Mitchell International

Friday, March 02, 2001 02:28PM



93I40665

Fig. 25: EEC-IV Wiring Diagram (3.0L SHO - 2 of 2)

WIRING DIAGRAMS

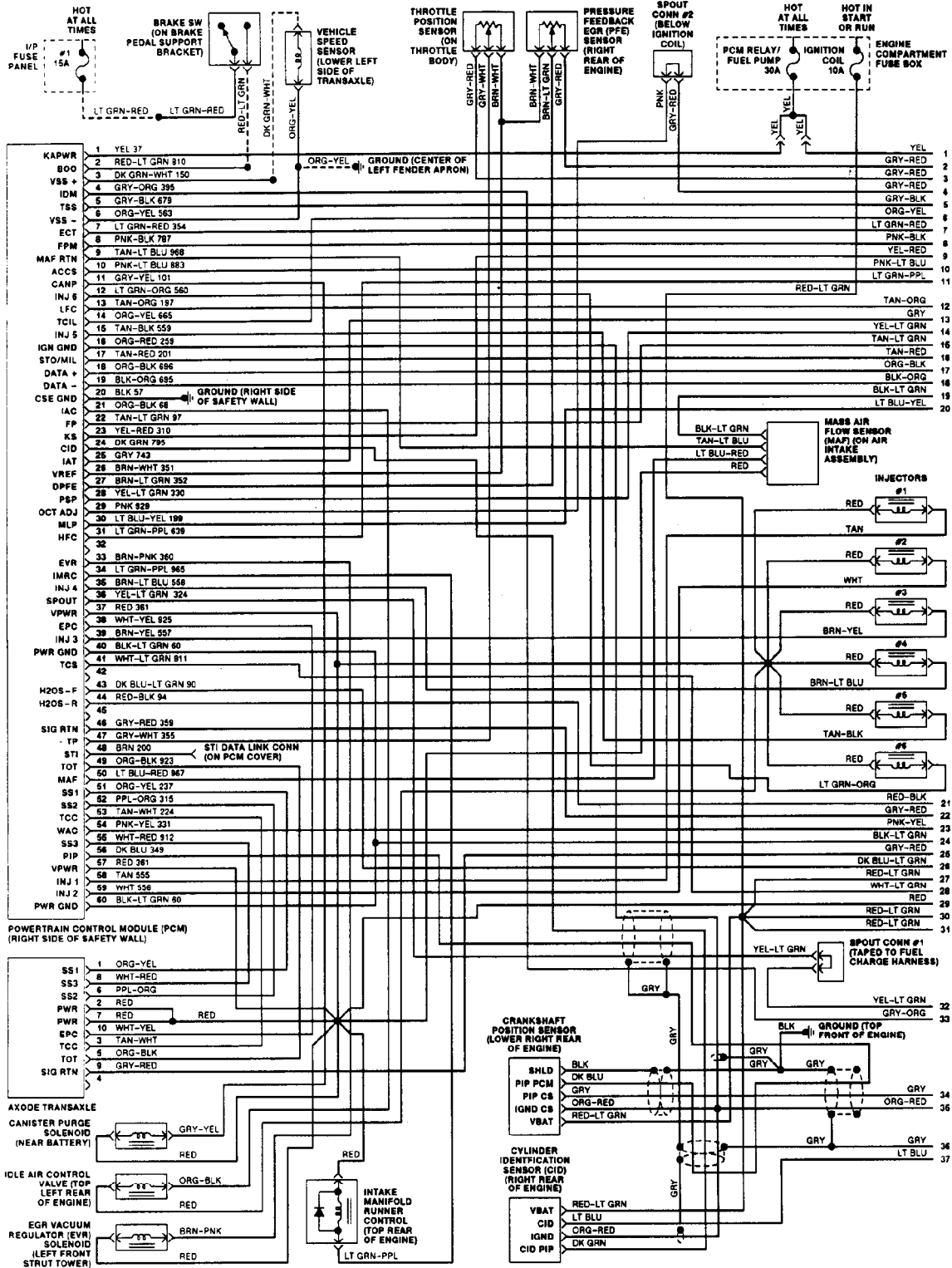
Selected Block (p. 3)

1993 Ford Taurus

For <http://www.mitchell.narod.ru/>

Copyright © 1997 Mitchell International

Friday, March 02, 2001 02:28PM



93J40666

Fig. 26: EEC-IV Wiring Diagram (3.2L SHO - 1 of 2)

WIRING DIAGRAMS

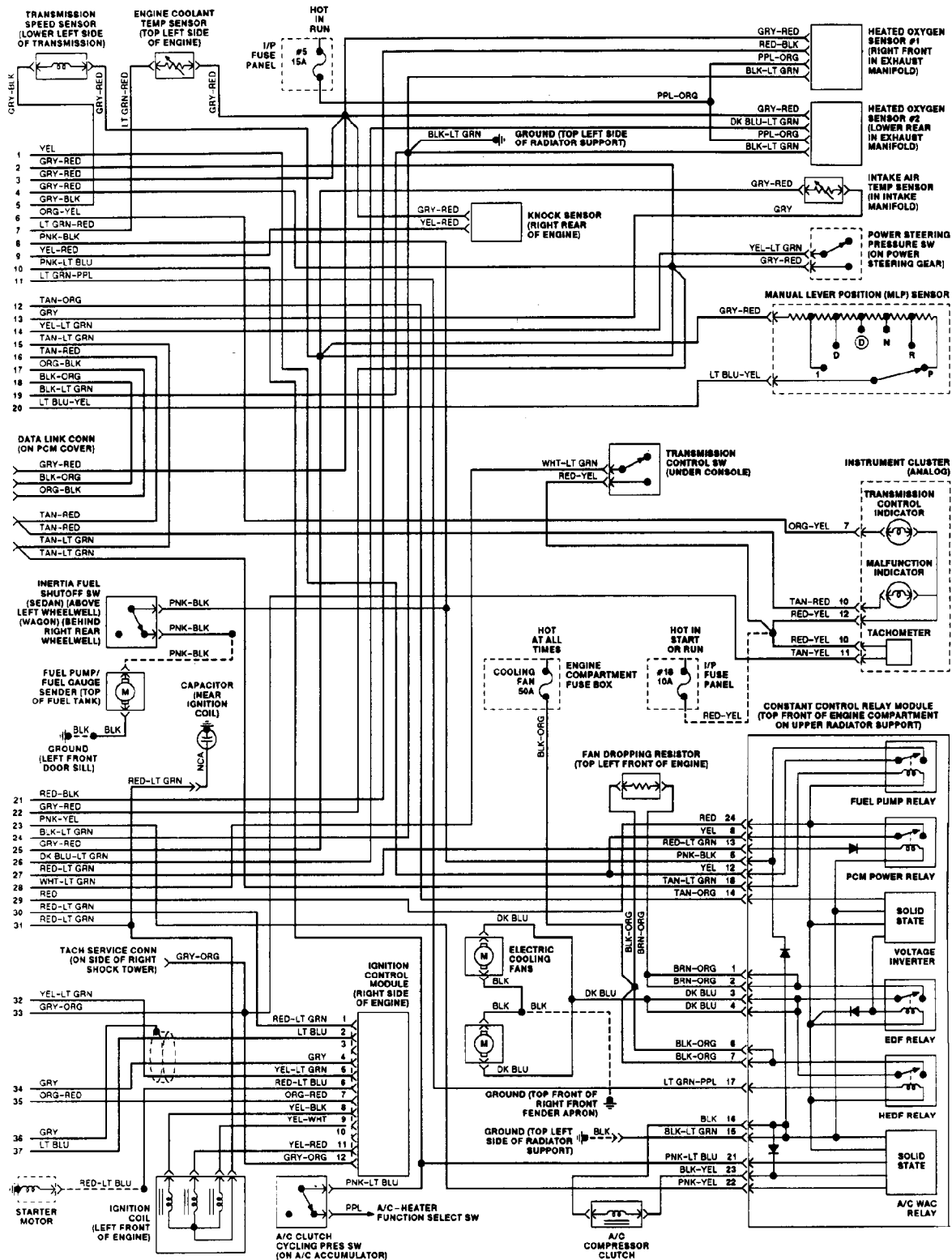
Selected Block (p. 4)

1993 Ford Taurus

For <http://www.mitchell.narod.ru/>

Copyright © 1997 Mitchell International

Friday, March 02, 2001 02:28PM



93A40667

Fig. 27: EEC-IV Wiring Diagram (3.2L SHO - 2 of 2)

AIR BAGS

WIRING DIAGRAMS

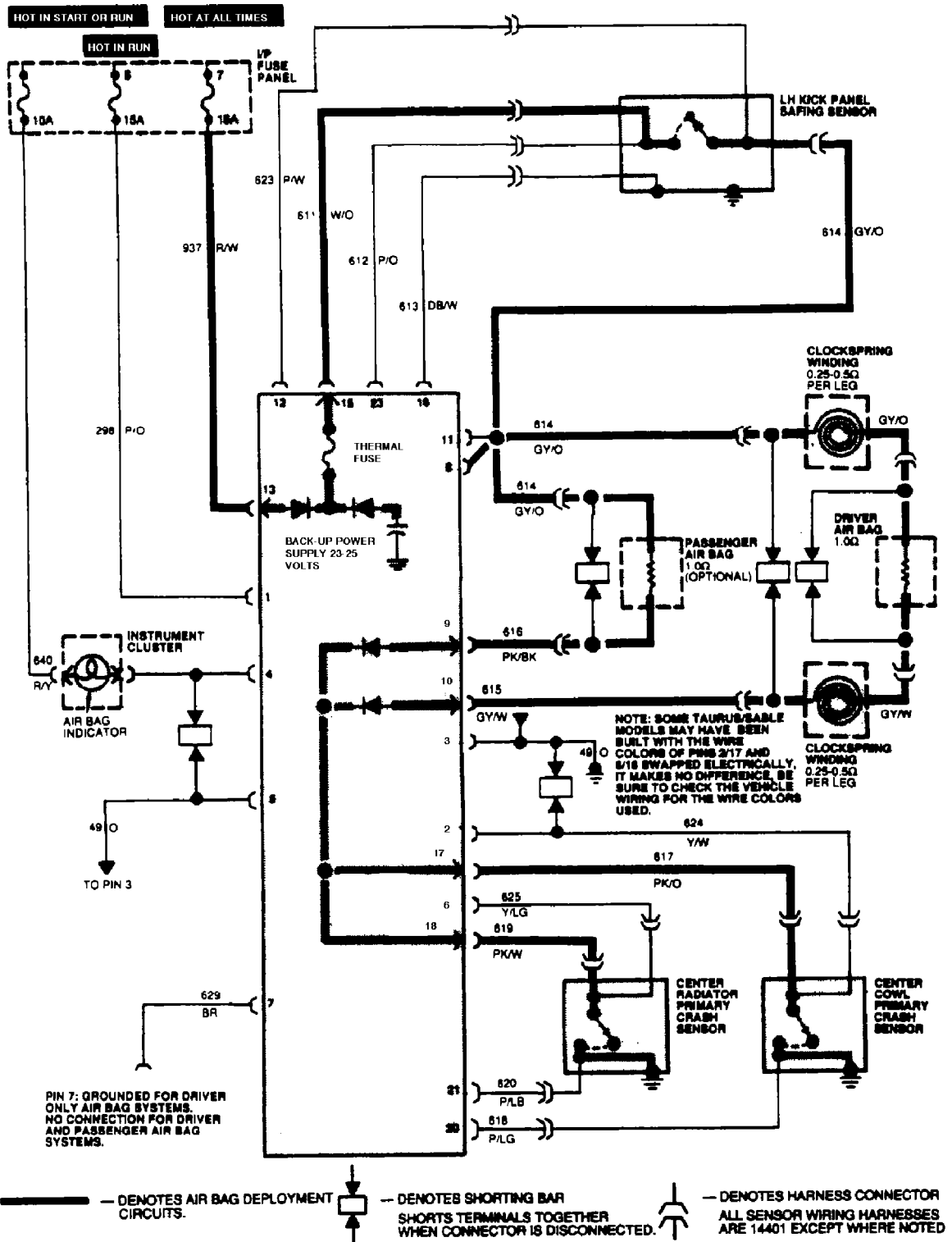
Selected Block (p. 5)

1993 Ford Taurus

For <http://www.mitchell.narod.ru/>

Copyright © 1997 Mitchell International

Friday, March 02, 2001 02:28PM



93A75432
Fig. 28: SRS Wiring Diagram