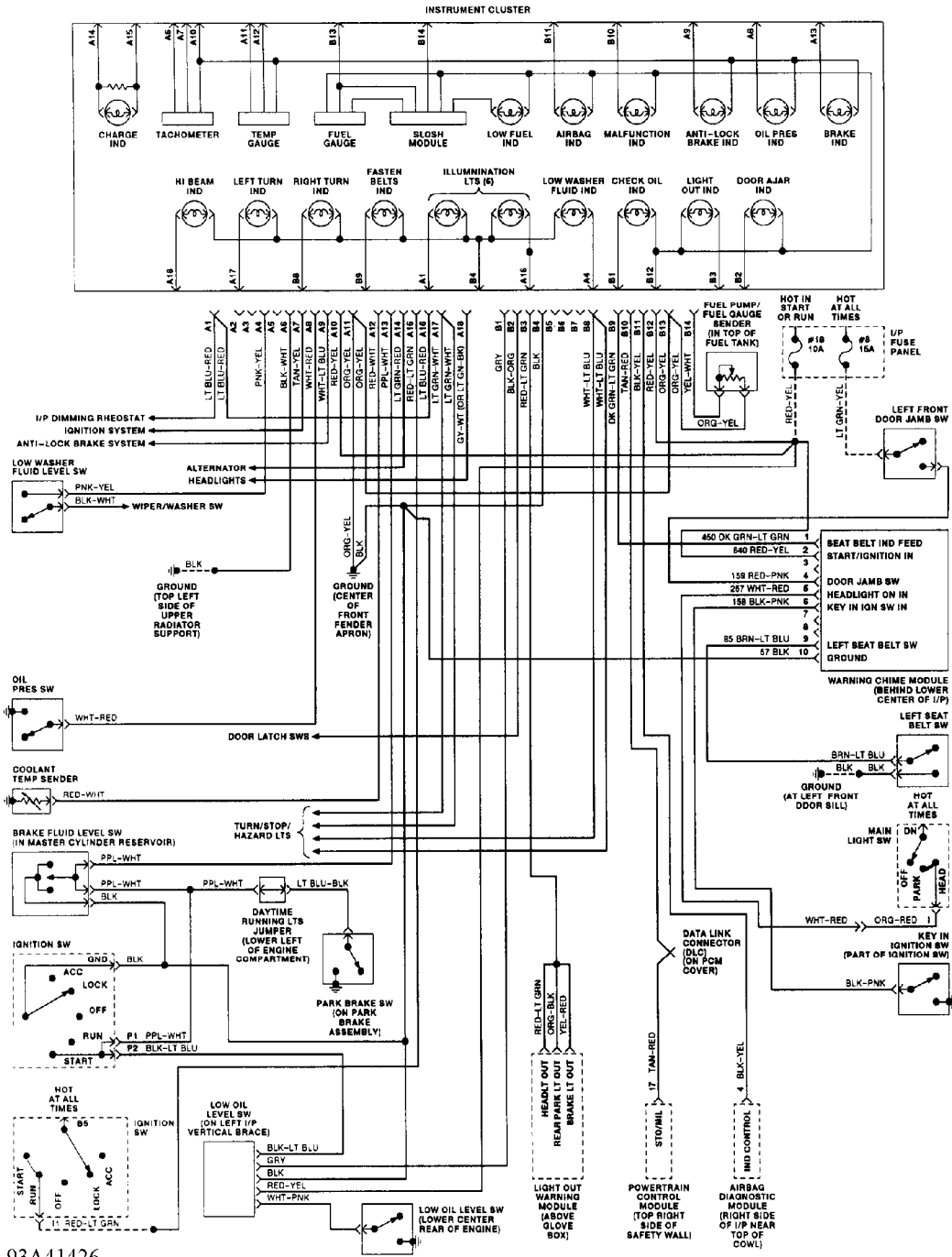


WIRING DIAGRAMS
Selected Block
 1993 Ford Taurus
 For <http://www.mitchell.narod.ru/>
 Copyright © 1997 Mitchell International
 Friday, March 02, 2001 02:29PM

ANALOG INSTRUMENT PANEL



93A41426

Fig. 29: Analog Instrument Cluster Wiring Diagram (Except SHO)

WIRING DIAGRAMS

Selected Block (p. 3)

1993 Ford Taurus

For <http://www.mitchell.narod.ru/>

Copyright © 1997 Mitchell International

Friday, March 02, 2001 02:29PM

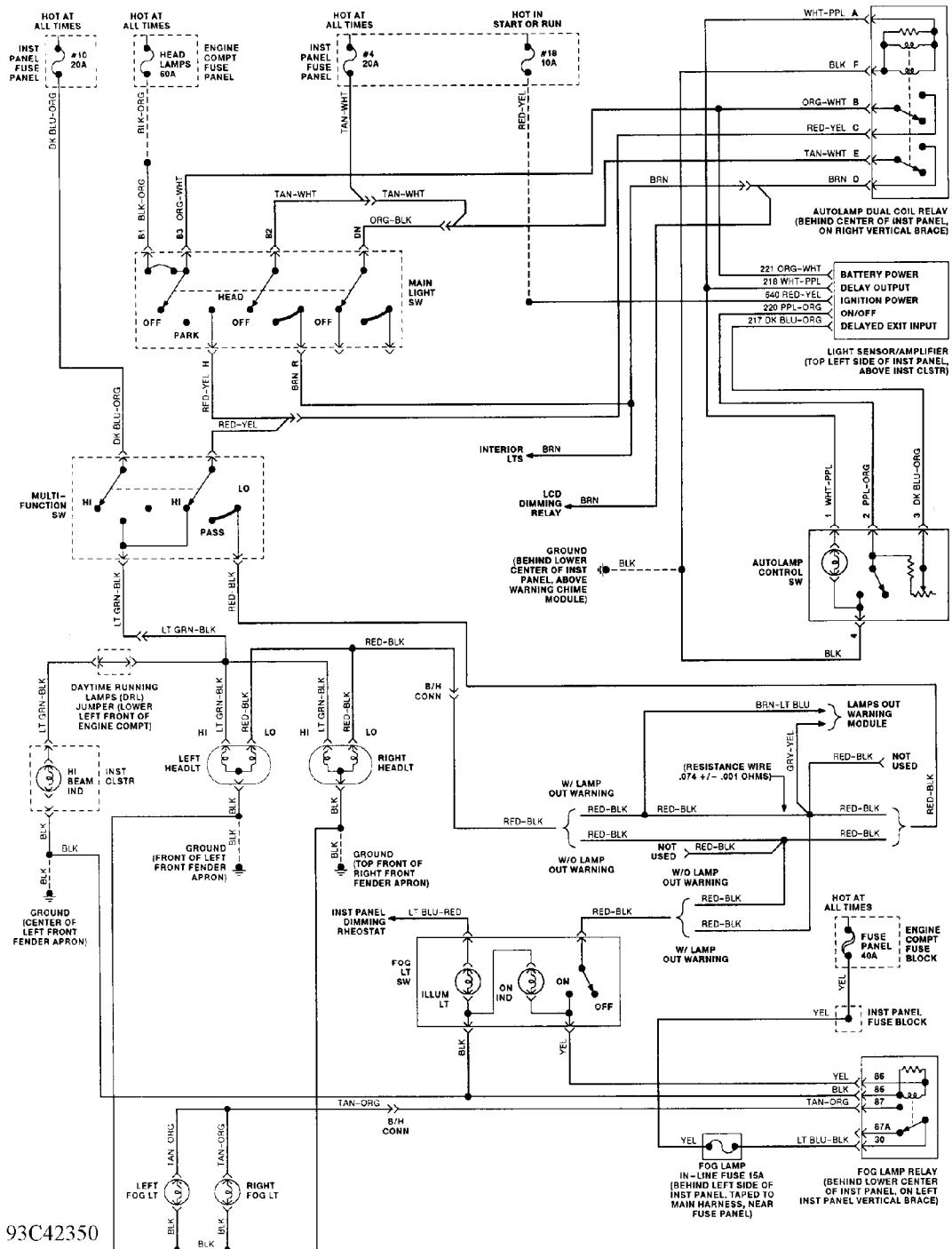


Fig. 31: Headlight System Wiring Diagram (Automatic)

WIRING DIAGRAMS

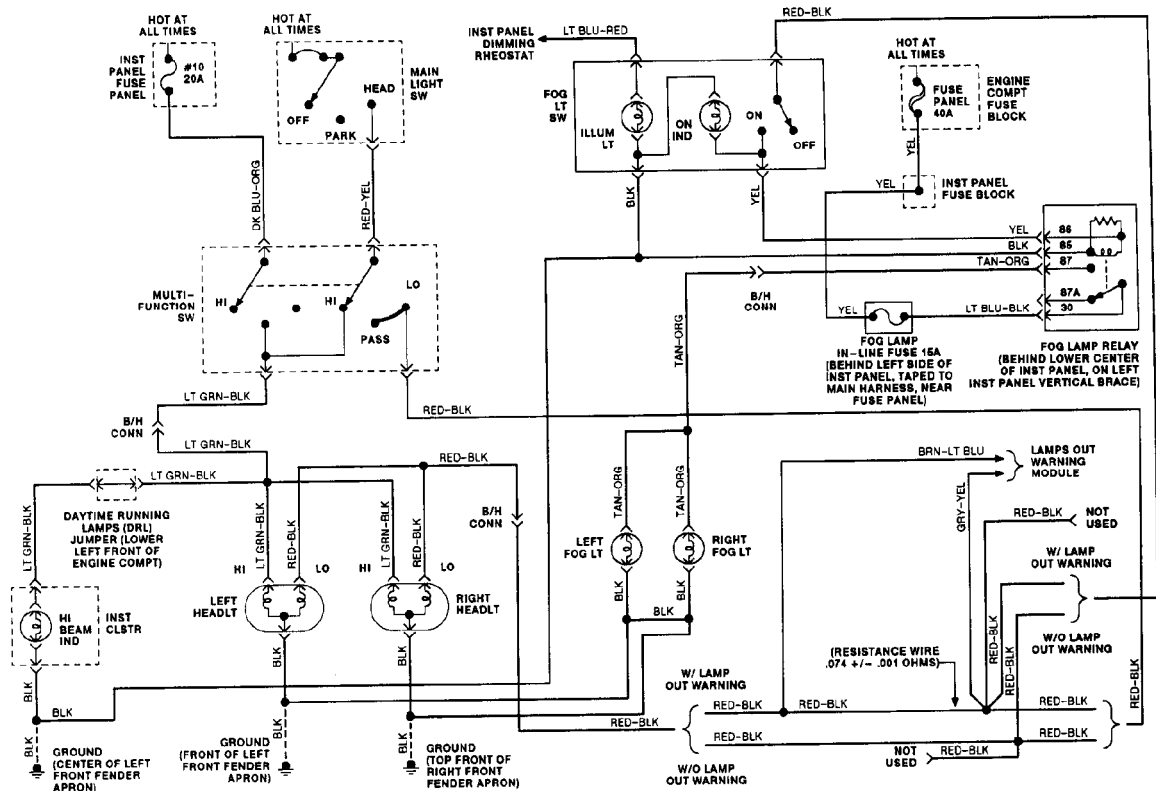
Selected Block (p. 4)

1993 Ford Taurus

For <http://www.mitchell.narod.ru/>

Copyright © 1997 Mitchell International

Friday, March 02, 2001 02:29PM



93D42351

Fig. 32: Headlight System Wiring Diagram (Manual)

WIRING DIAGRAMS

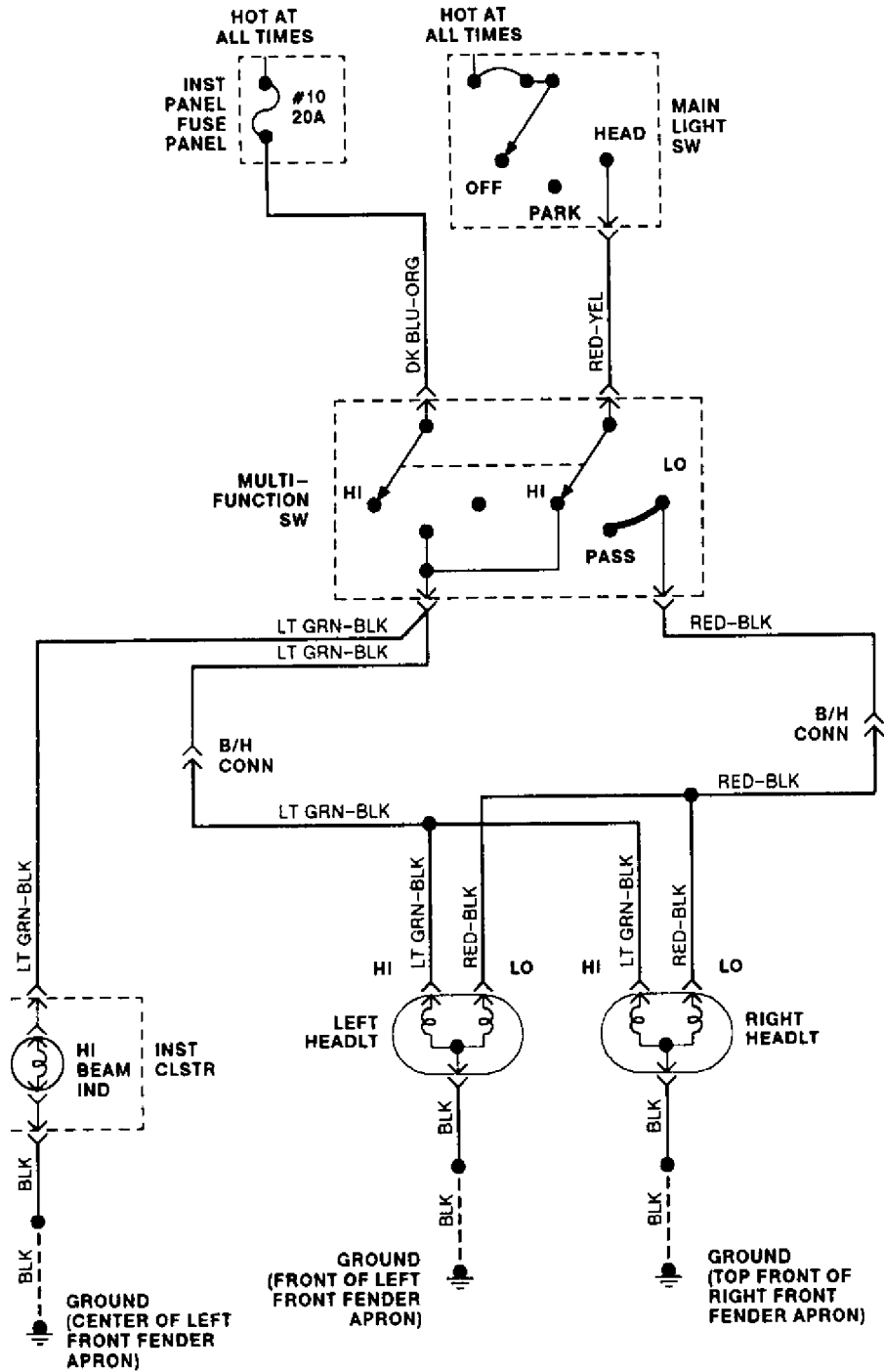
Selected Block (p. 5)

1993 Ford Taurus

For <http://www.mitchell.narod.ru/>

Copyright © 1997 Mitchell International

Friday, March 02, 2001 02:29PM



93E42352

Fig. 33: Headlight System Wiring Diagram (Manual)