

**WIRING DIAGRAMS**  
**Selected Block**  
 1993 Ford Taurus  
 For <http://www.mitchell.narod.ru/>  
 Copyright © 1997 Mitchell International  
 Friday, March 02, 2001 02:29PM

**CRUISE CONTROL SYSTEM**

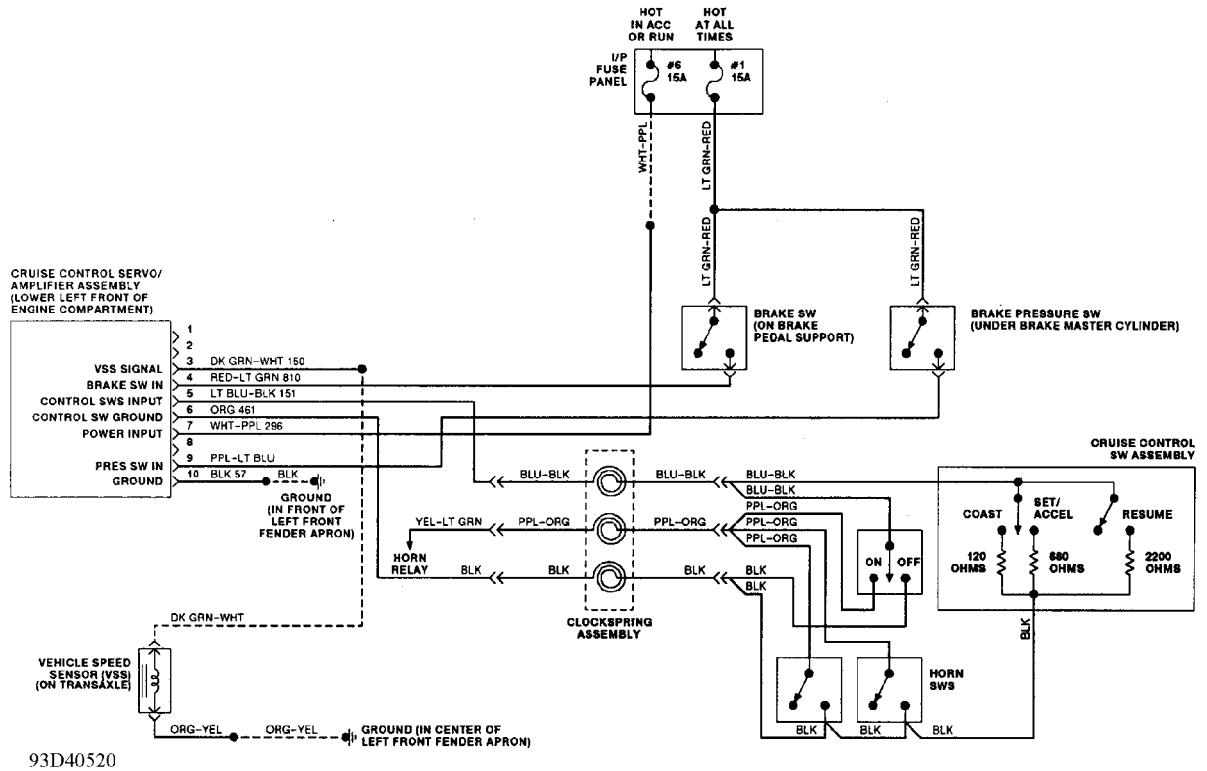


Fig. 34: Crs Ctrl System Wiring Diagram (Exept 3.0L SHO & 3.2L SHO)

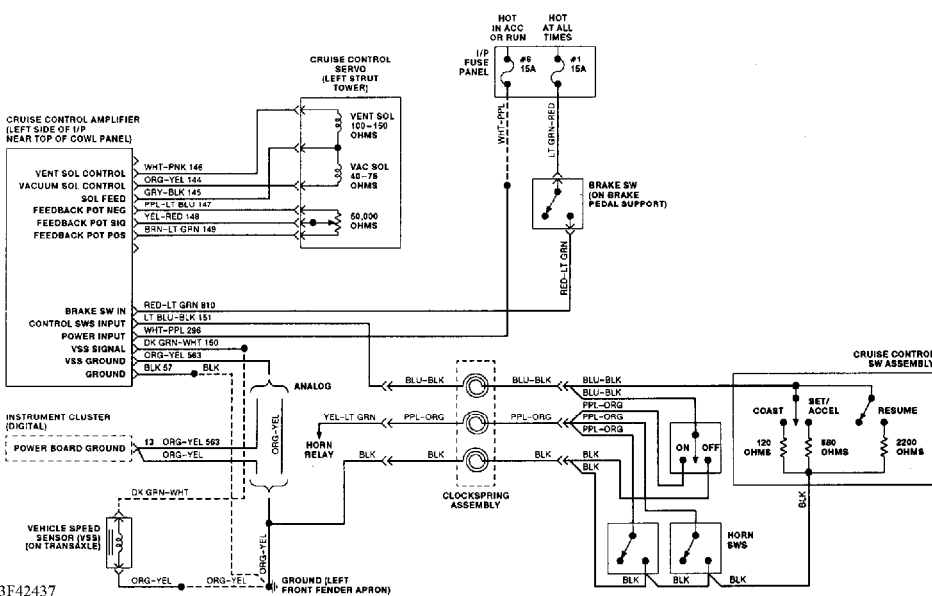


Fig. 35: Crs Ctrl System Wiring Diagram (3.2L SHO)

**CRUISE CONTROL SYSTEM - 3.0L SHO**

# WIRING DIAGRAMS

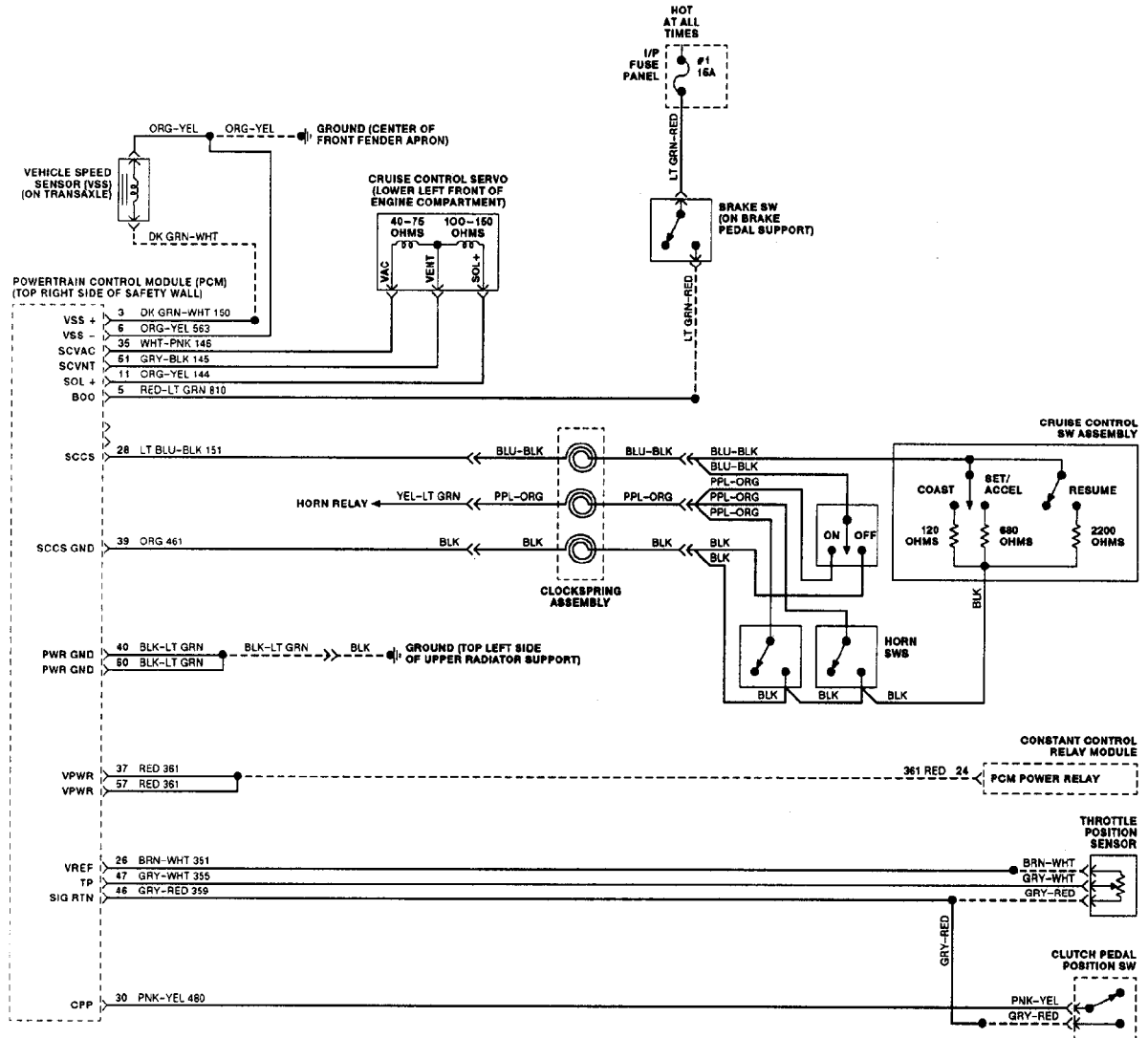
## Selected Block (p. 2)

1993 Ford Taurus

For <http://www.mitchell.narod.ru/>

Copyright © 1997 Mitchell International

Friday, March 02, 2001 02:29PM



93G40424

Fig. 36: Cruise Control System Wiring Diagram (3.0L SHO)

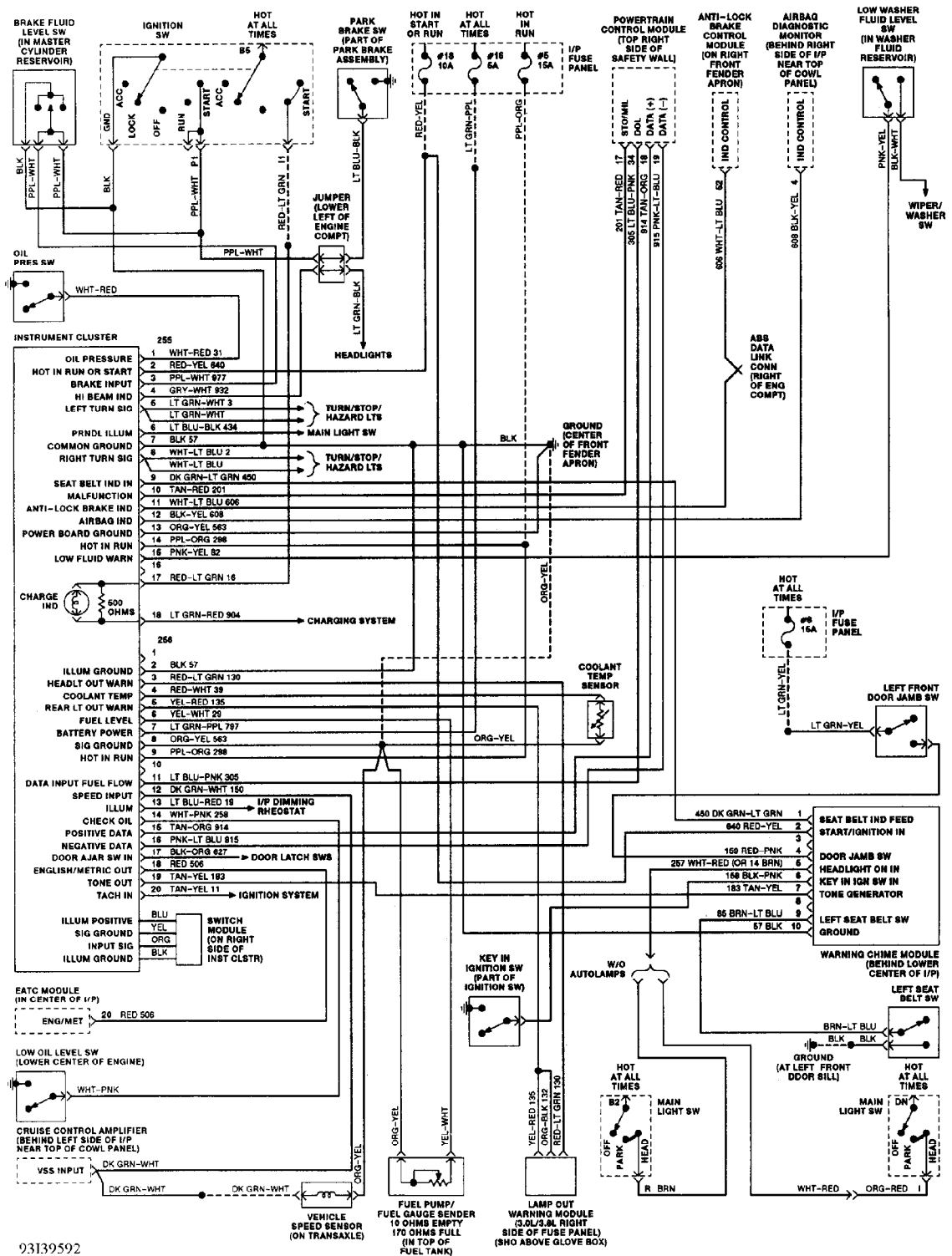
### ELECTRONIC INSTRUMENT PANEL

# WIRING DIAGRAMS

## Selected Block (p. 3)

1993 Ford Taurus

For <http://www.mitchell.narod.ru/>  
Copyright © 1997 Mitchell International  
Friday, March 02, 2001 02:29PM



93139592

Fig. 37: Electronic Instrument Cluster Wiring Diagram