

WIRING DIAGRAMS
Selected Block
 1993 Ford Taurus
 For <http://www.mitchell.narod.ru/>
 Copyright © 1997 Mitchell International
 Friday, March 02, 2001 02:29PM

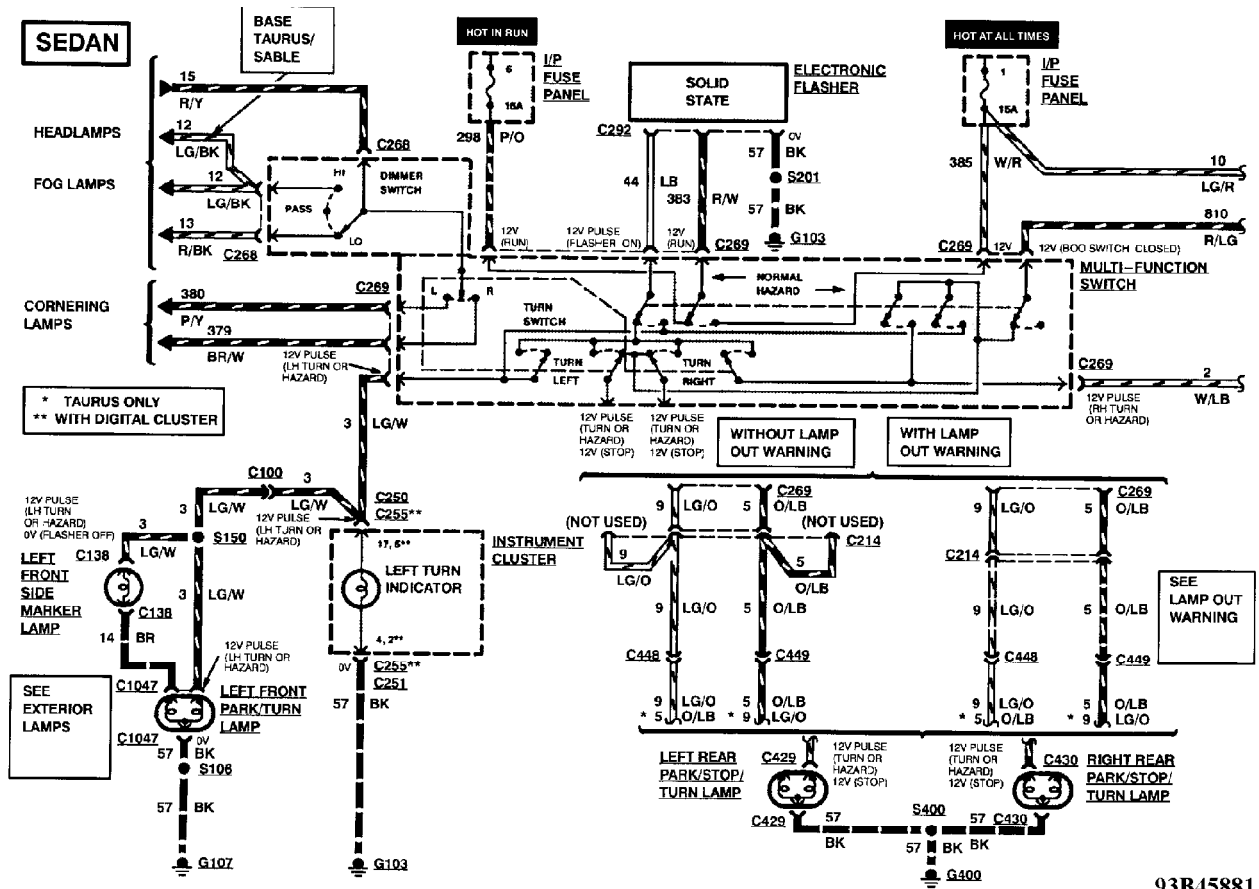


Fig. 47: Exterior Lights (10 Of 17)

93B45881

WIRING DIAGRAMS

Selected Block (p. 2)

1993 Ford Taurus

For <http://www.mitchell.narod.ru/>

Copyright © 1997 Mitchell International

Friday, March 02, 2001 02:29PM

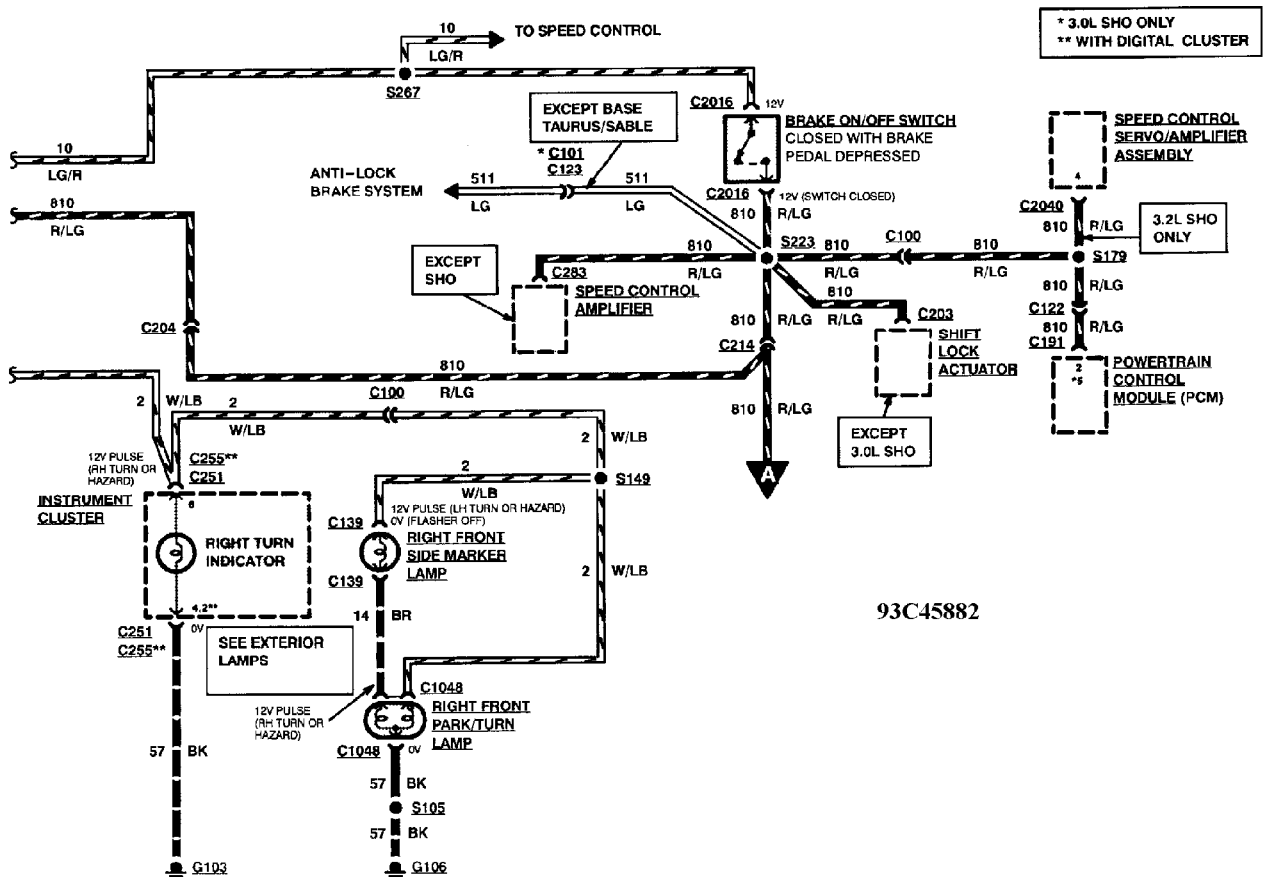


Fig. 48: Exterior Lights (11 Of 17)

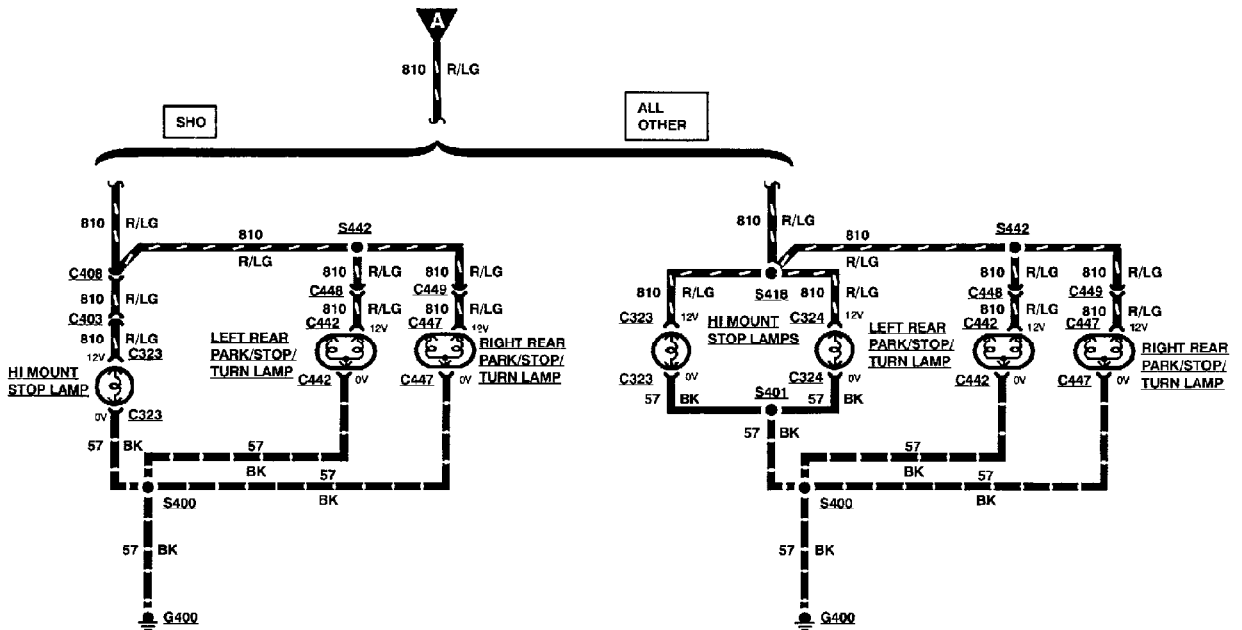


Fig. 49: Exterior Lights (12 Of 17)

93C45882

93D45883

WIRING DIAGRAMS

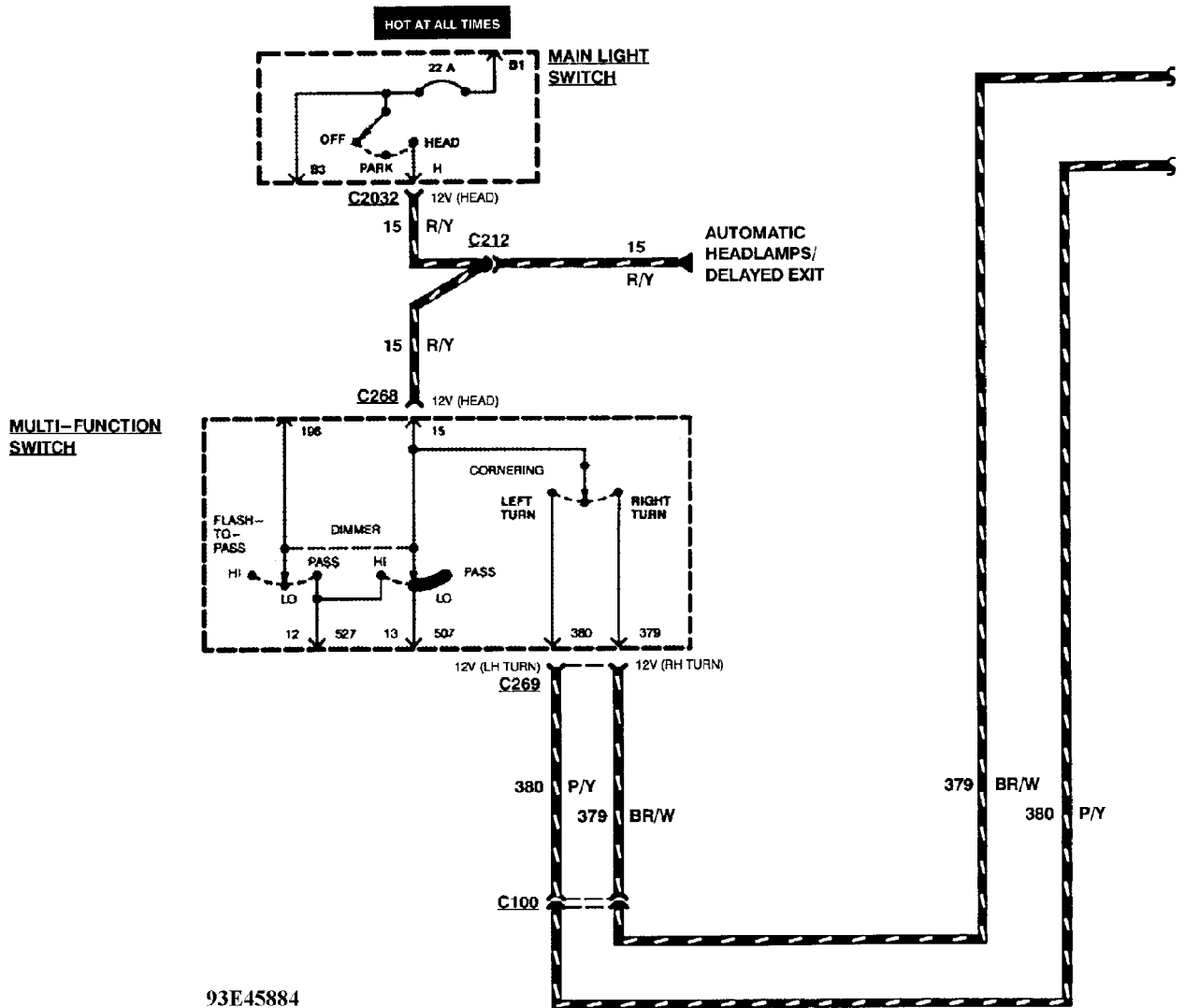
Selected Block (p. 3)

1993 Ford Taurus

For <http://www.mitchell.narod.ru/>

Copyright © 1997 Mitchell International

Friday, March 02, 2001 02:29PM



93E45884

Fig. 50: Exterior Lights (13 Of 17)

WIRING DIAGRAMS

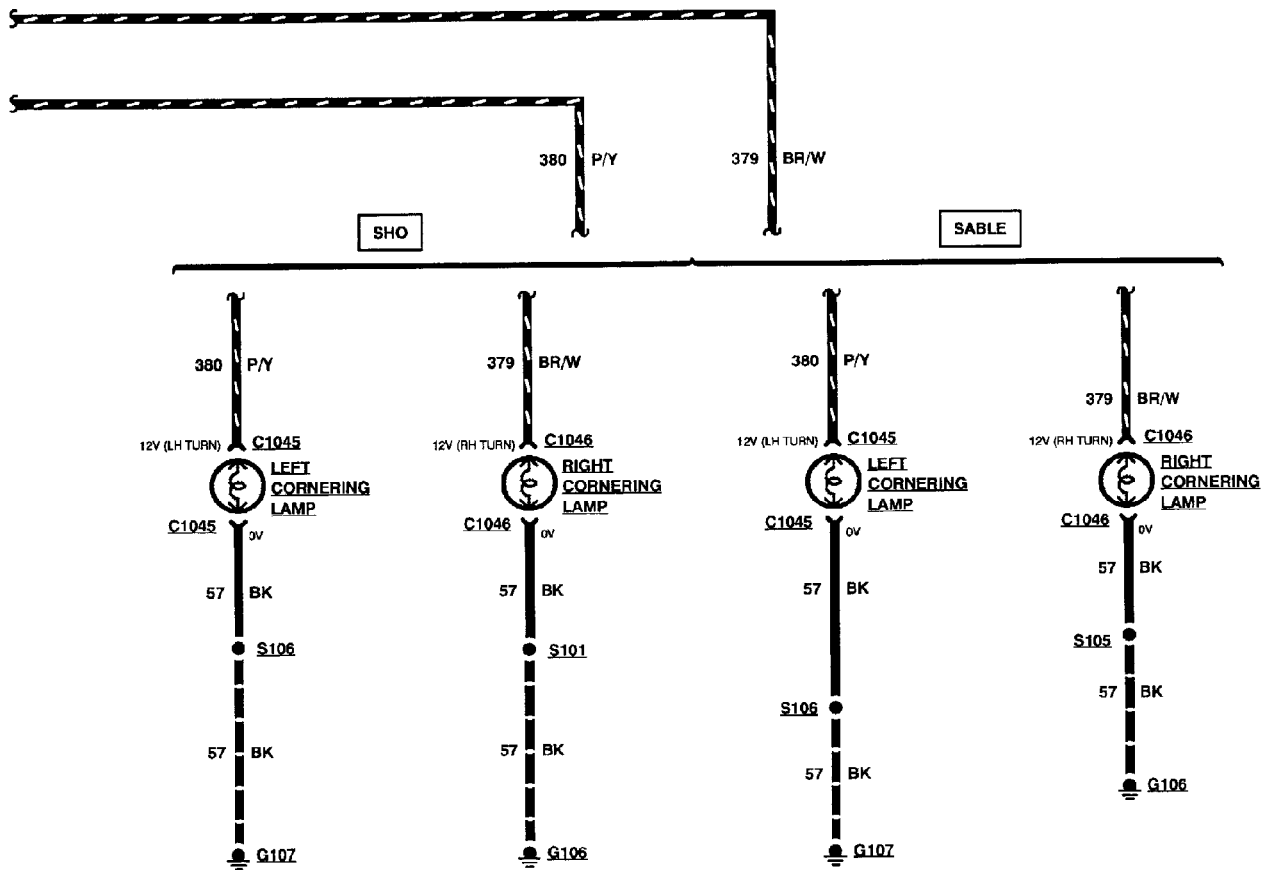
Selected Block (p. 4)

1993 Ford Taurus

For <http://www.mitchell.narod.ru/>

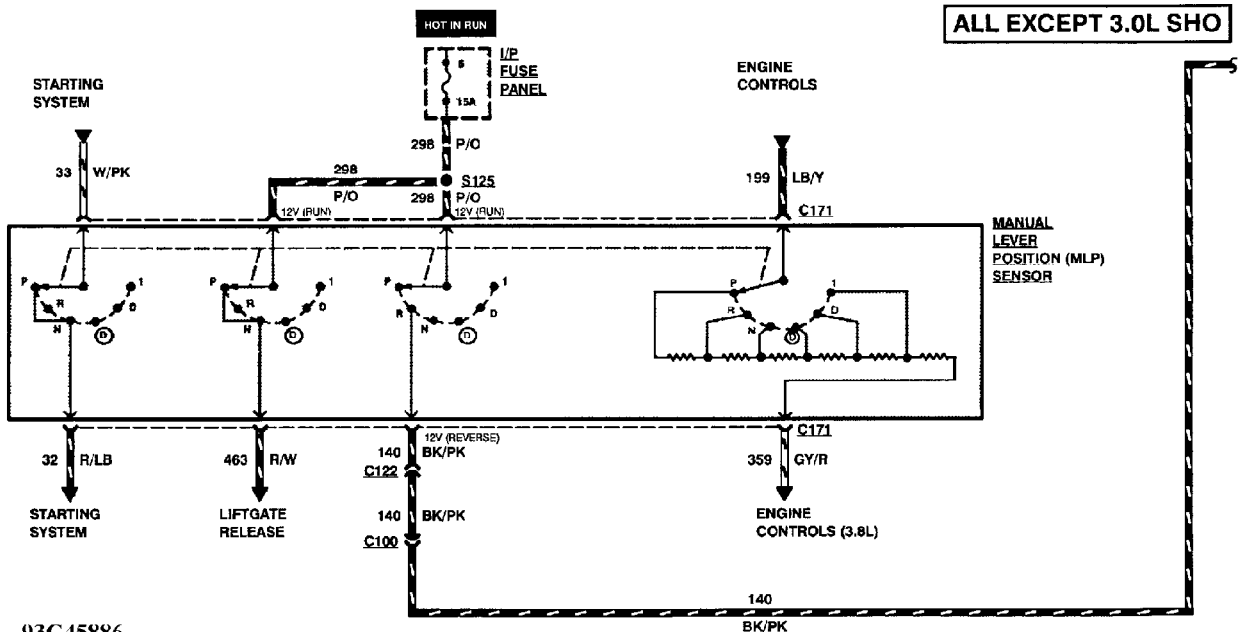
Copyright © 1997 Mitchell International

Friday, March 02, 2001 02:29PM



93F45885

Fig. 51: Exterior Lights (14 Of 17)



93G45886

Fig. 52: Exterior Lights (15 Of 17)

WIRING DIAGRAMS

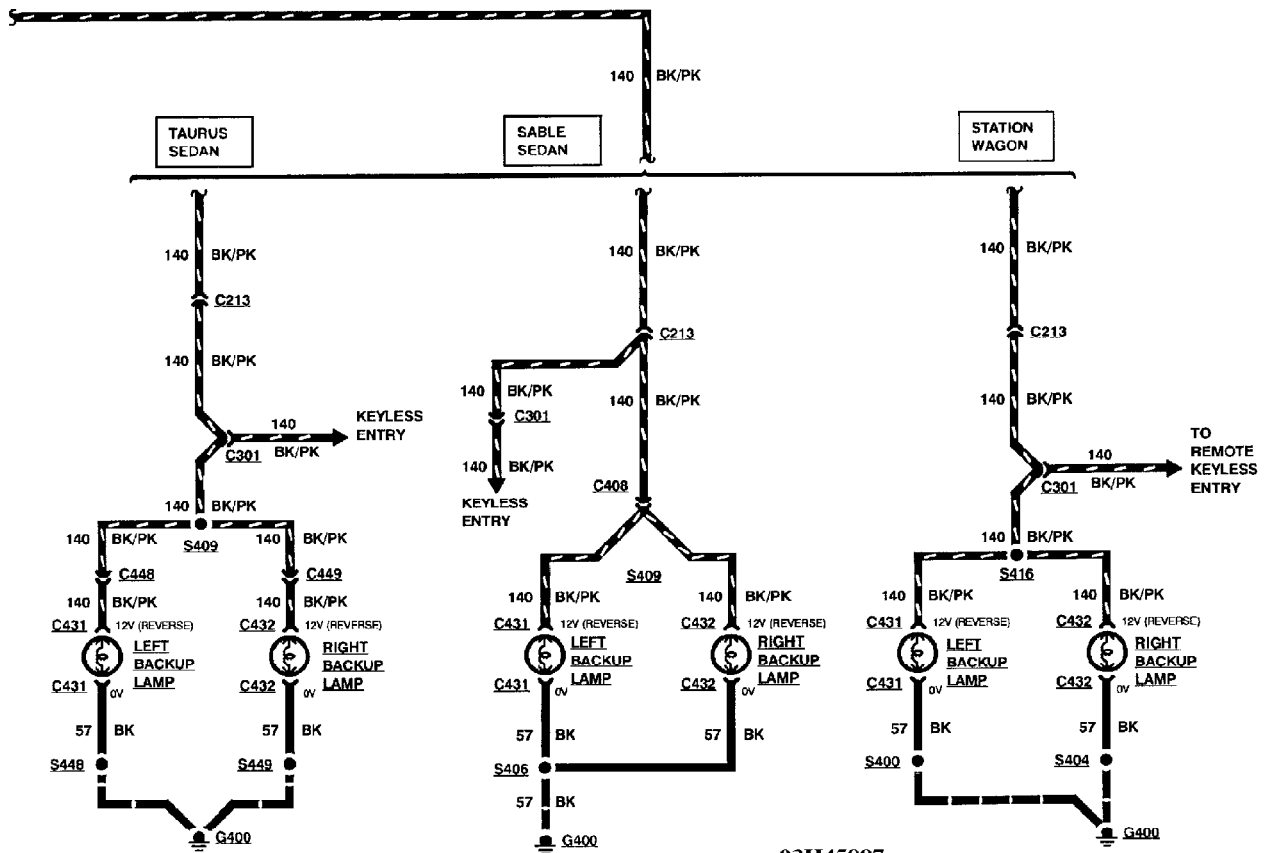
Selected Block (p. 5)

1993 Ford Taurus

For <http://www.mitchell.narod.ru/>

Copyright © 1997 Mitchell International

Friday, March 02, 2001 02:29PM



93H45887

Fig. 53: Exterior Lights (16 Of 17)

WIRING DIAGRAMS

Selected Block (p. 6)

1993 Ford Taurus

For <http://www.mitchell.narod.ru/>

Copyright © 1997 Mitchell International

Friday, March 02, 2001 02:29PM

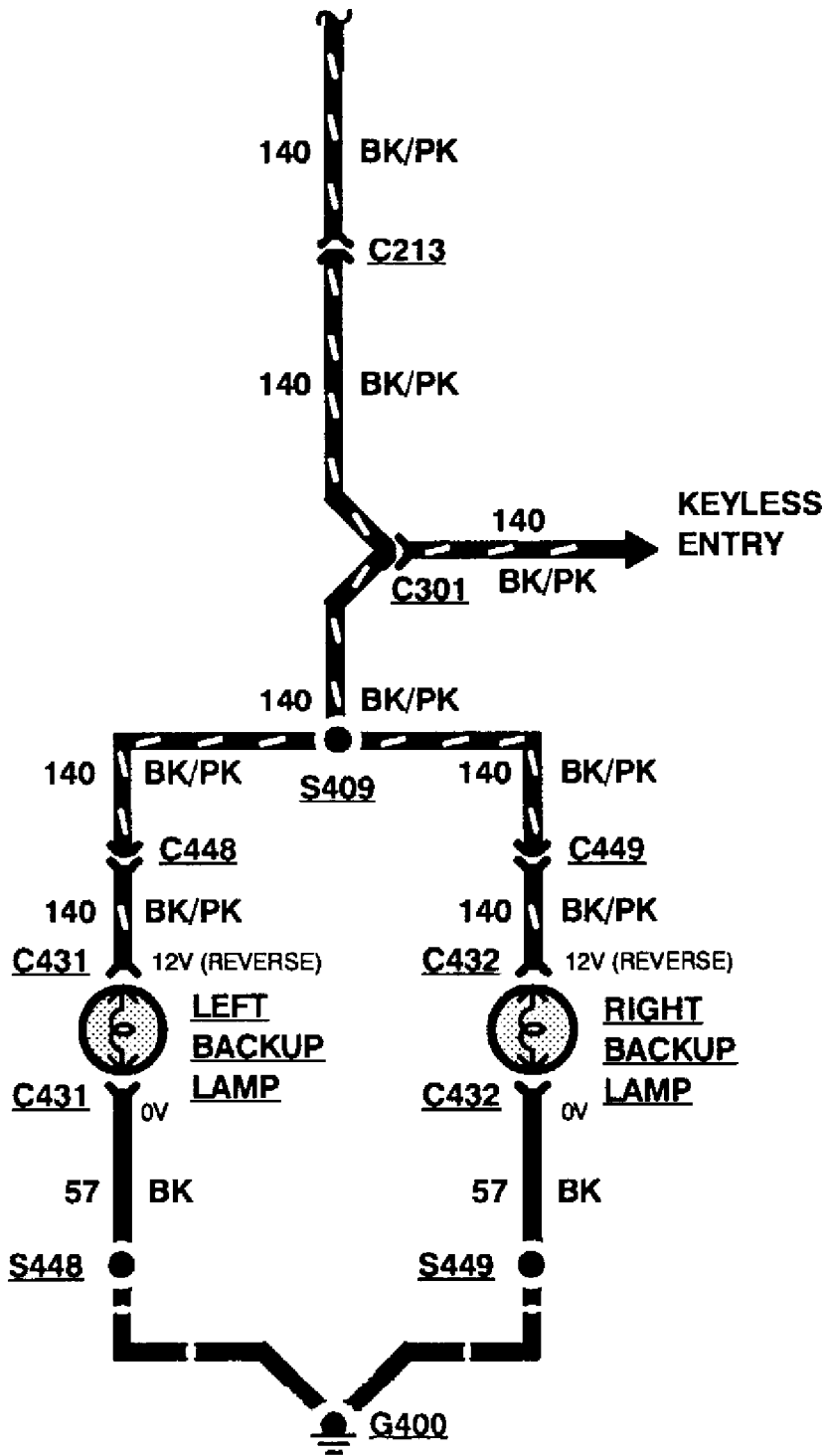


Fig. 54: Exterior Lights (17 Of 17)

93D45891