

**WIRING DIAGRAMS**  
**Selected Block**  
 1993 Ford Taurus  
 For <http://www.mitchell.narod.ru/>  
 Copyright © 1997 Mitchell International  
 Friday, March 02, 2001 02:31PM

**POWER WINDOWS**

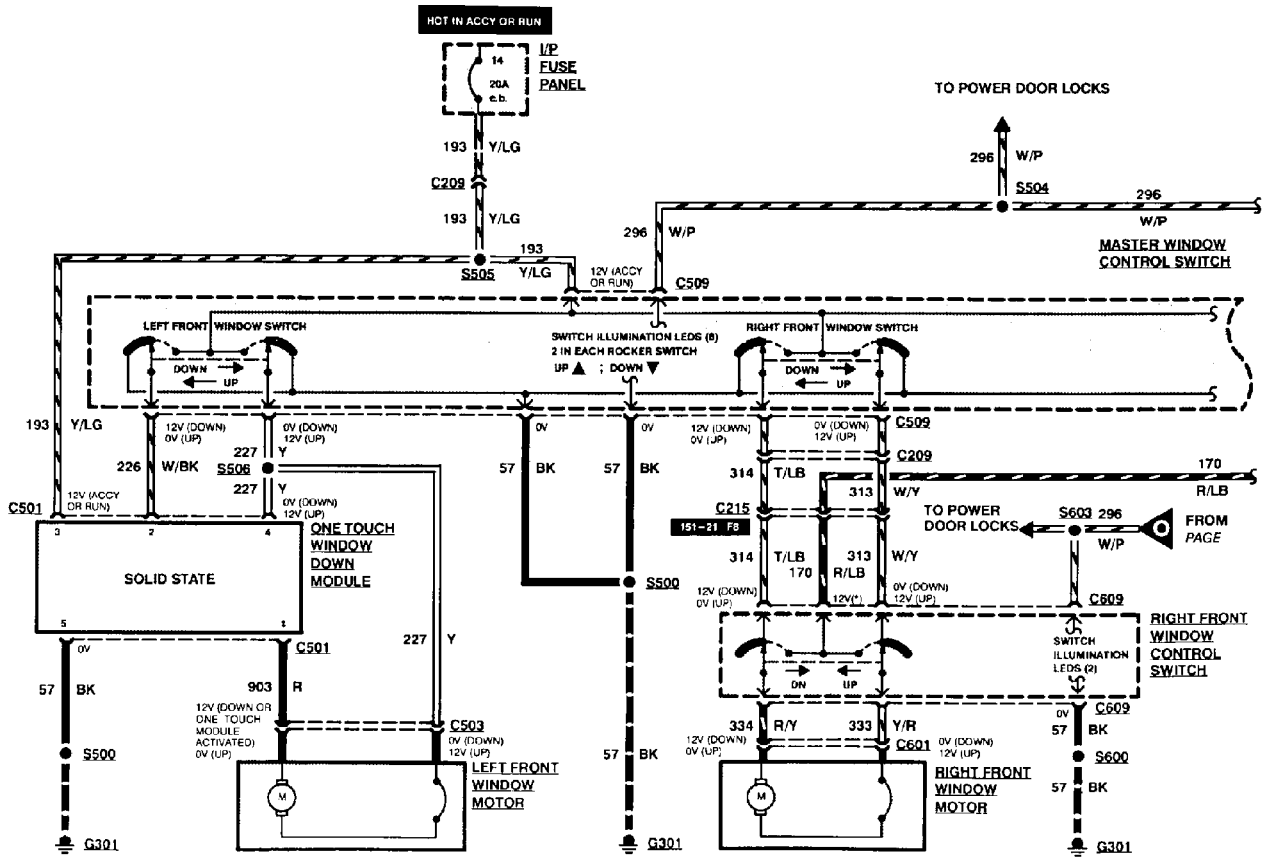


Fig. 87: Power Windows (1 Of 2)

93J46028

# WIRING DIAGRAMS

## Selected Block (p. 2)

1993 Ford Taurus

For <http://www.mitchell.narod.ru/>

Copyright © 1997 Mitchell International

Friday, March 02, 2001 02:31PM

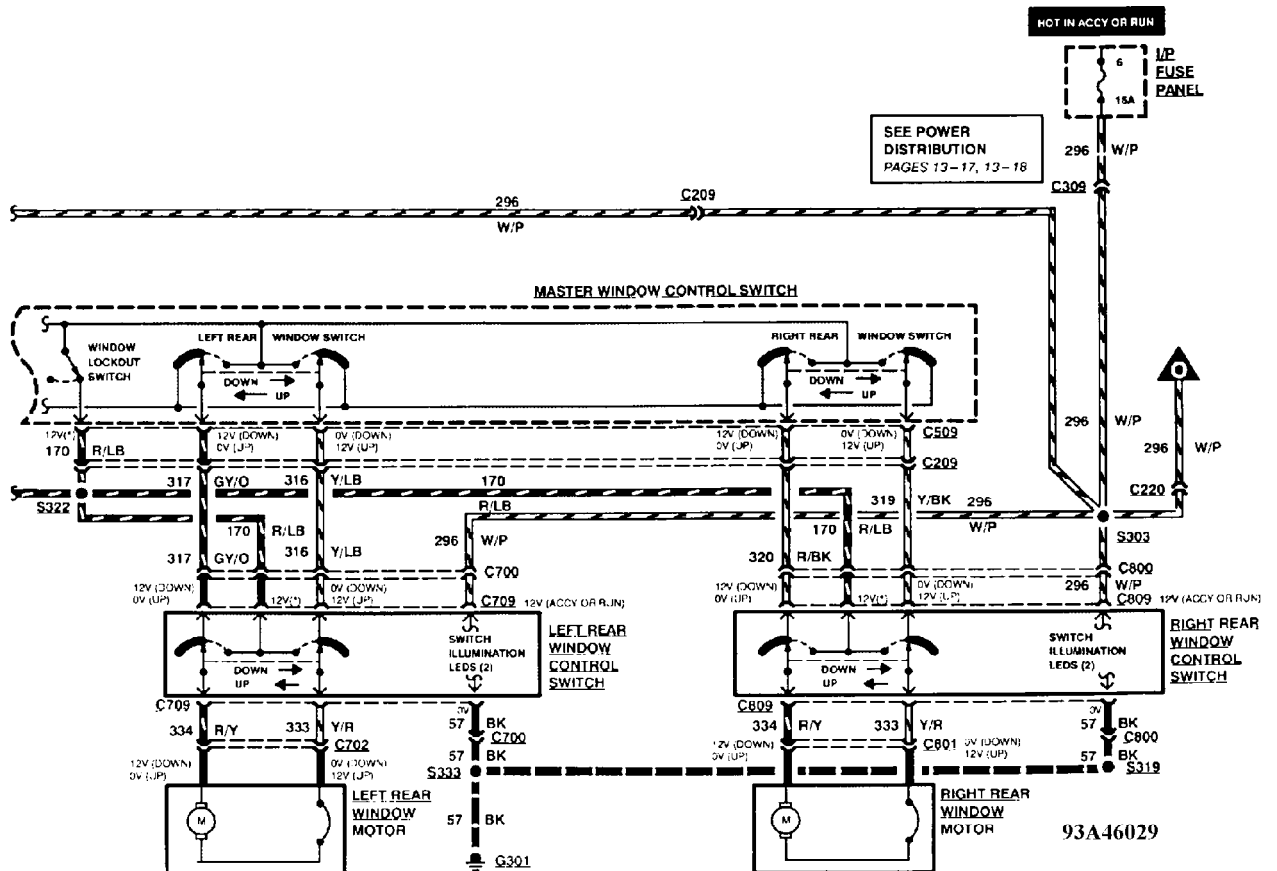


Fig. 88: Power Windows (2 Of 2)

## REAR WINDOW DEFOGGER

# WIRING DIAGRAMS

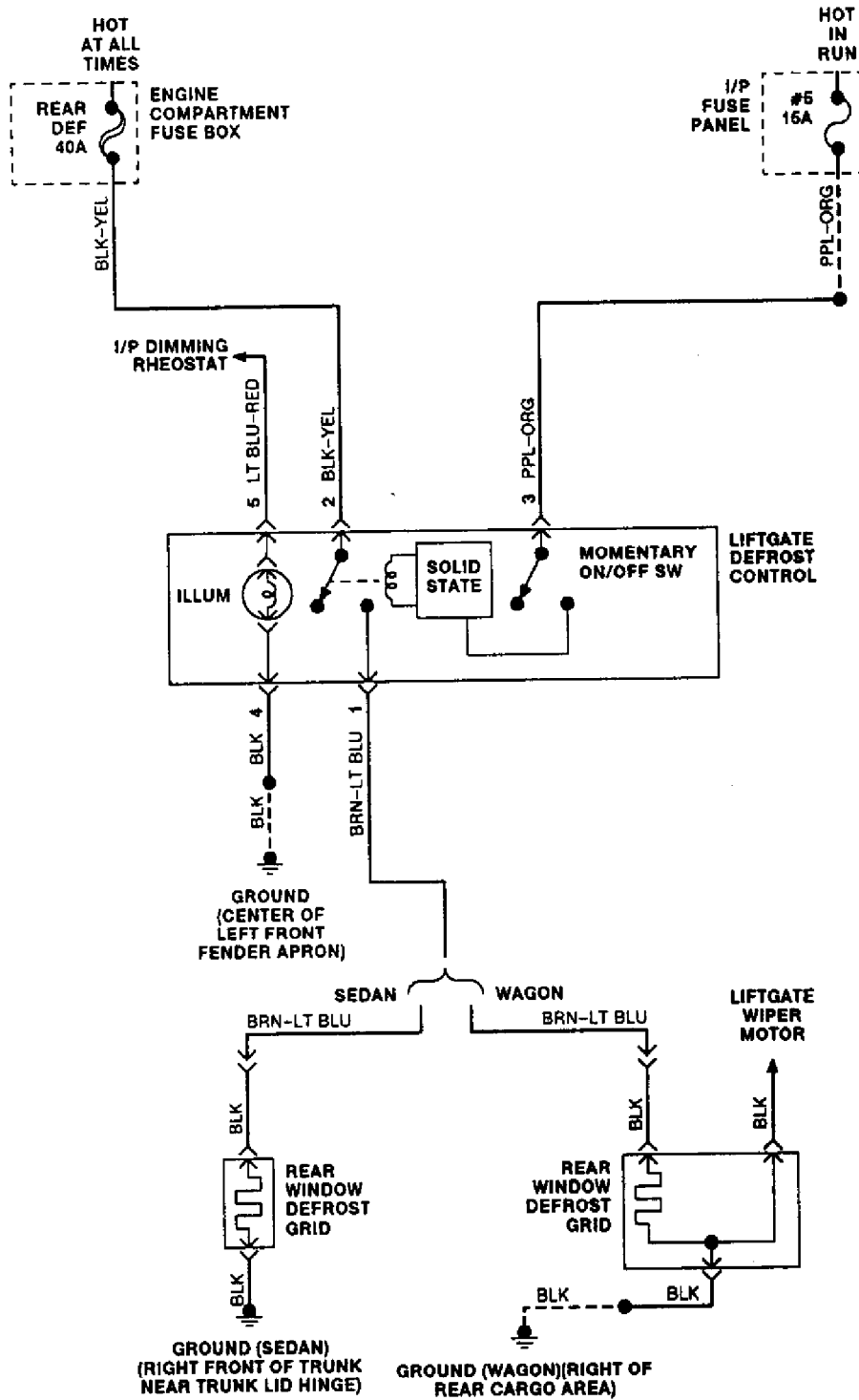
## Selected Block (p. 3)

1993 Ford Taurus

For <http://www.mitchell.narod.ru/>

Copyright © 1997 Mitchell International

Friday, March 02, 2001 02:31PM



93D42435

Fig. 89: Rear Window Defogger Wiring Diagram

### REAR WIPER/WASHER SYSTEM

# WIRING DIAGRAMS

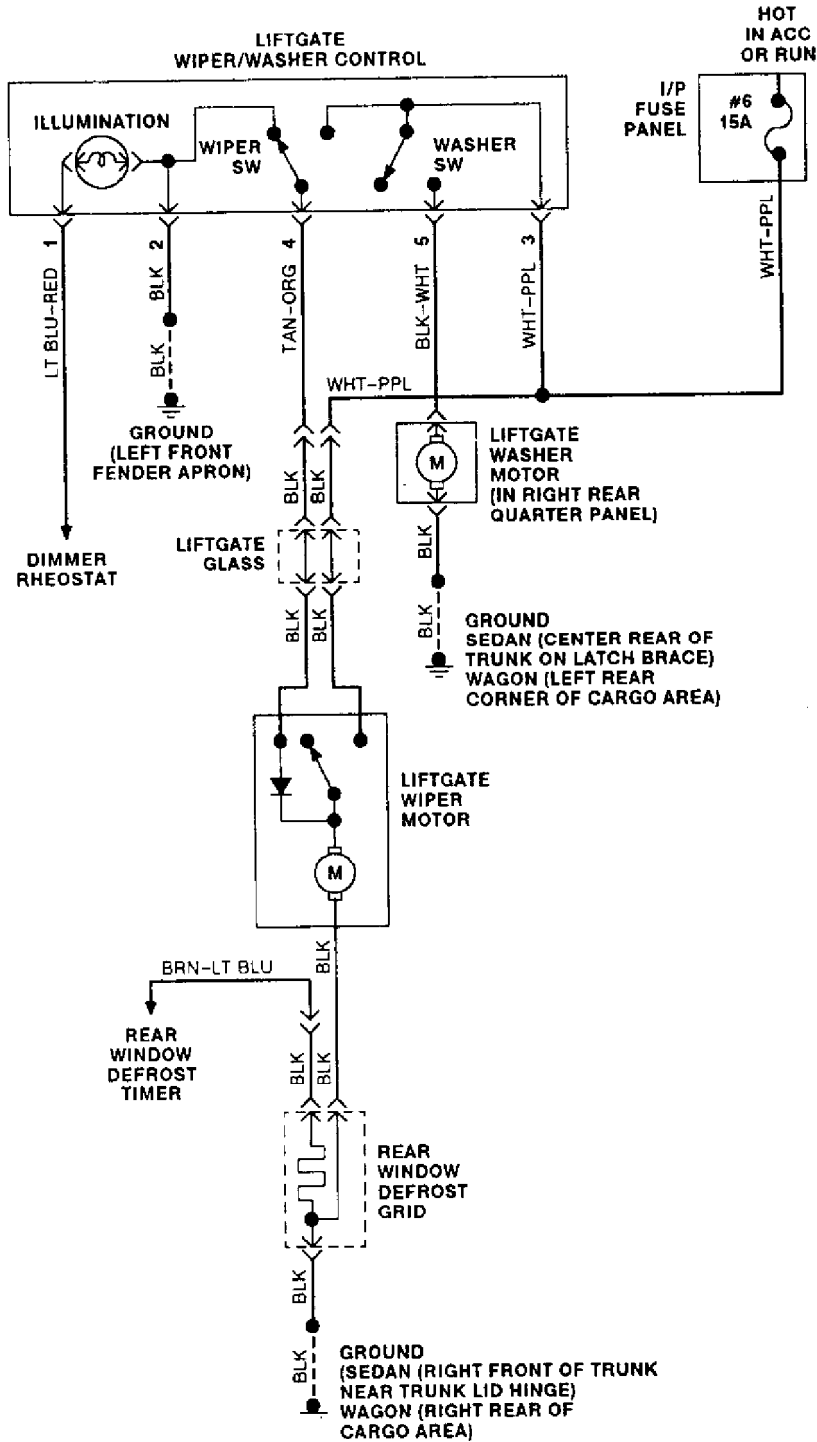
## Selected Block (p. 4)

1993 Ford Taurus

For <http://www.mitchell.narod.ru/>

Copyright © 1997 Mitchell International

Friday, March 02, 2001 02:31PM



93F40001

Fig. 90: Rear Wiper/Washer System Wiring Diagram

### STEERING COLUMN SWITCHES & HORN CIRCUIT

# WIRING DIAGRAMS

## Selected Block (p. 5)

1993 Ford Taurus

For <http://www.mitchell.narod.ru/>

Copyright © 1997 Mitchell International

Friday, March 02, 2001 02:31PM

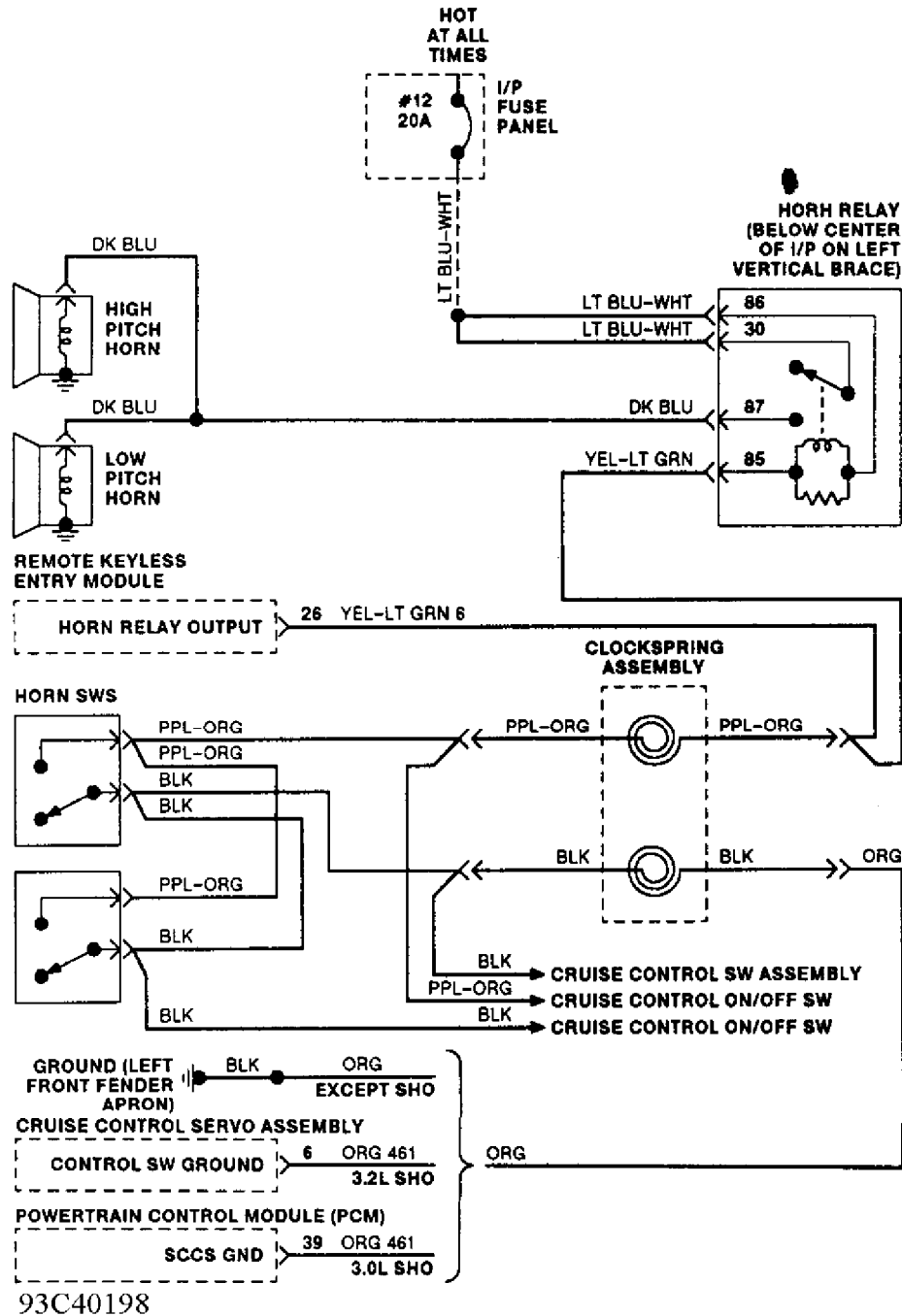


Fig. 91: Steering Column Switches & Horn Circuit Wiring Diagram

## WIPER/WASHER SYSTEM

# WIRING DIAGRAMS

## Selected Block (p. 6)

1993 Ford Taurus

For <http://www.mitchell.narod.ru/>

Copyright © 1997 Mitchell International

Friday, March 02, 2001 02:31PM

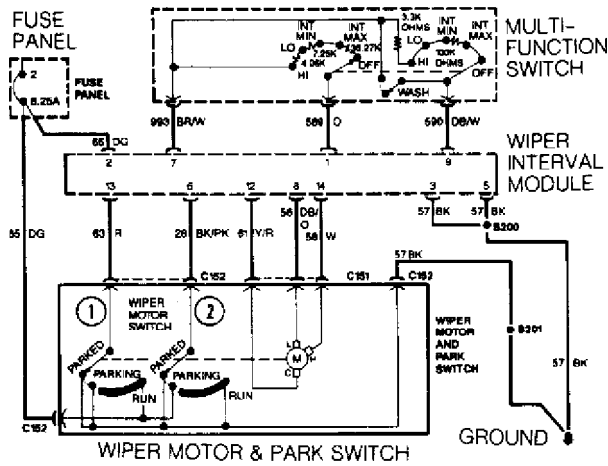


Fig. 92: Wiper System Wiring Diagram

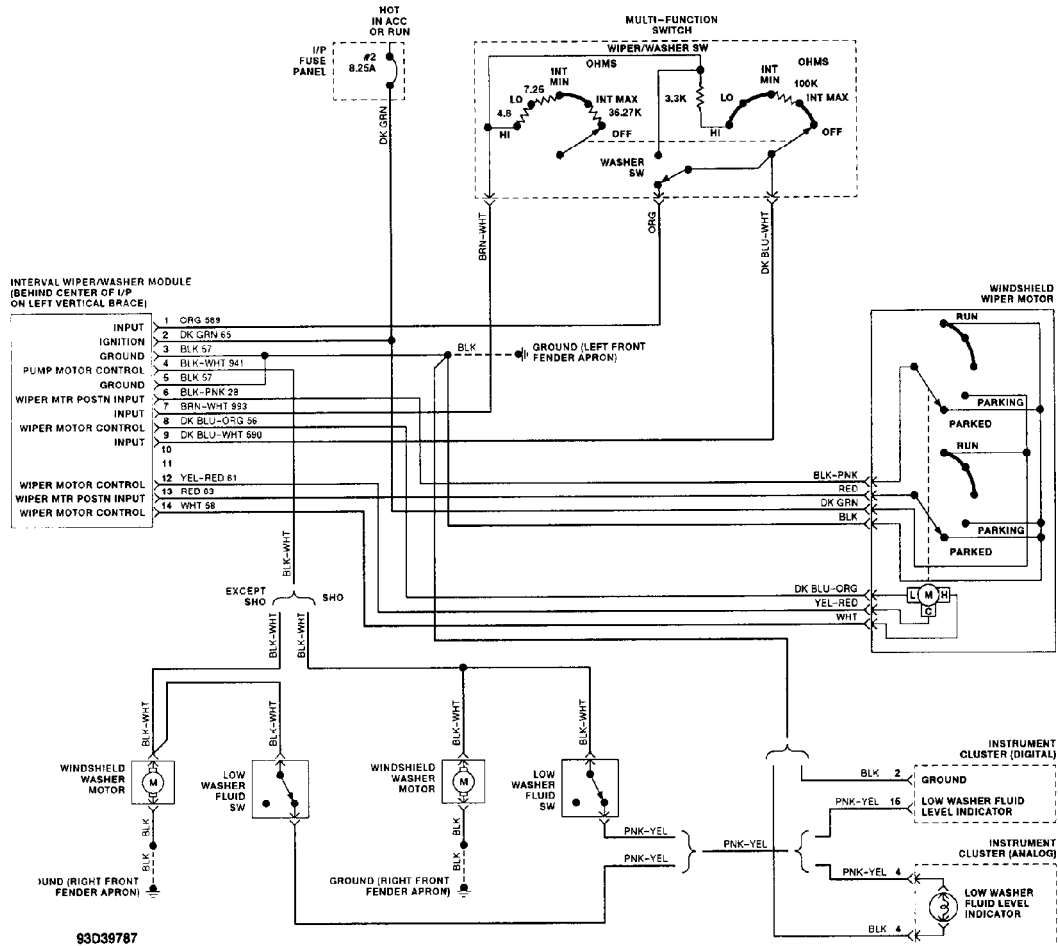


Fig. 93: Front Wiper/Washer System Wiring Diagram