

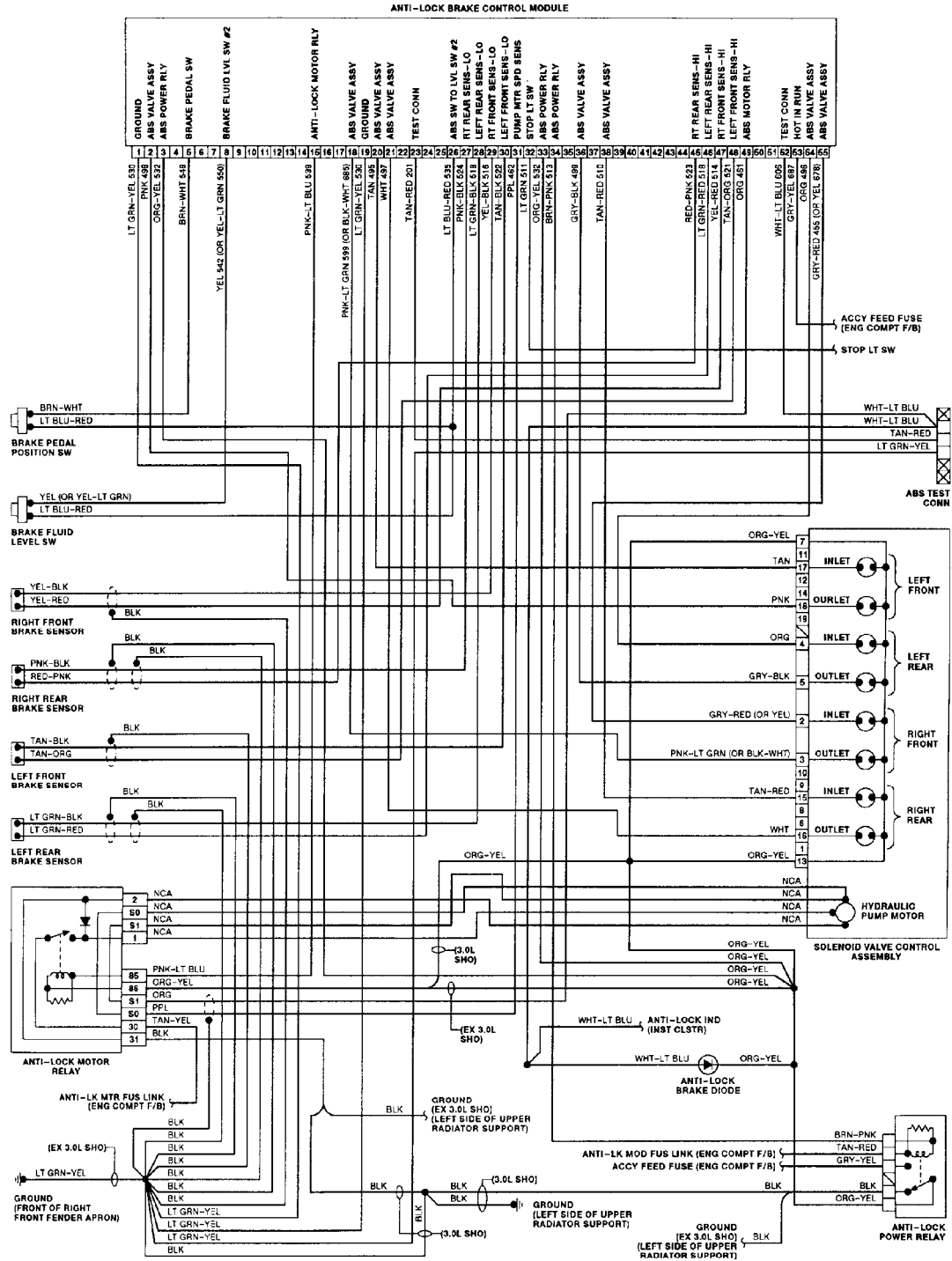
WIRING DIAGRAMS

Selected Block

1993 Ford Taurus

For <http://www.mitchell.narod.ru/>
 Copyright © 1997 Mitchell International
 Friday, March 02, 2001 02:31PM

ANTI-LOCK BRAKE SYSTEM



92b04975
 Fig. 103: Anti-Lock Brake Wiring Diagram (1 Of 2)

WIRING DIAGRAMS

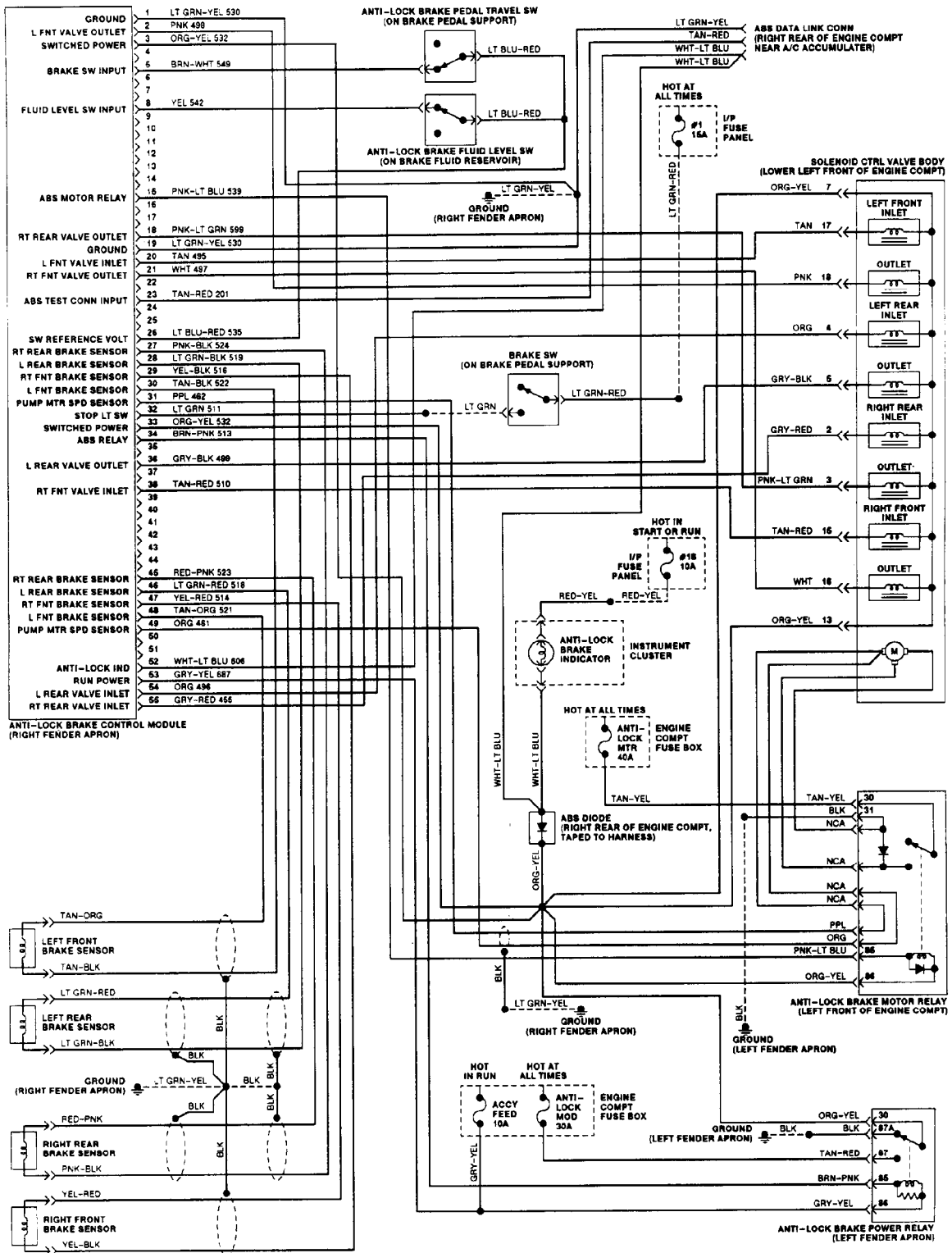
Selected Block (p. 2)

1993 Ford Taurus

For <http://www.mitchell.narod.ru/>

Copyright © 1997 Mitchell International

Friday, March 02, 2001 02:31PM



93F39482

Fig. 104: Anti-Lock Brake Wiring Diagram (2 Of 2)

WIRING DIAGRAMS

Selected Block (p. 3)

1993 Ford Taurus

For <http://www.mitchell.narod.ru/>

Copyright © 1997 Mitchell International

Friday, March 02, 2001 02:31PM

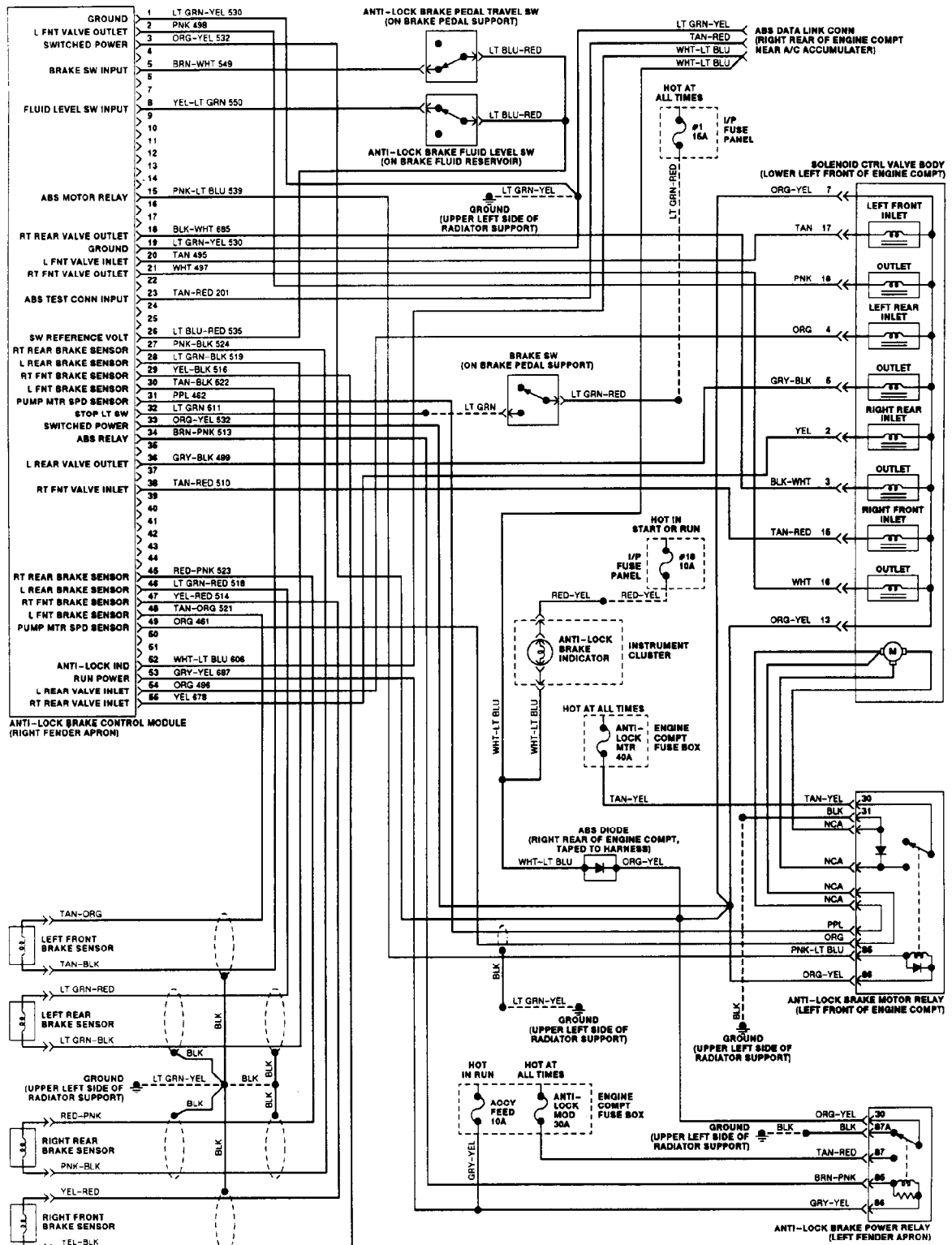


Fig. 105: Anti-Lock Brake Wiring Diagram (Taurus SHO)

ALTERNATOR - MOTORCRAFT W/ INTEGRAL REGULATOR

WIRING DIAGRAMS

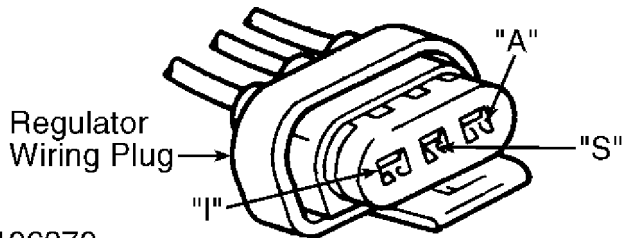
Selected Block (p. 4)

1993 Ford Taurus

For <http://www.mitchell.narod.ru/>

Copyright © 1997 Mitchell International

Friday, March 02, 2001 02:31PM



106370
Fig. 106: Locating Regulator Wiring Plug Terminals (Internal Fan)

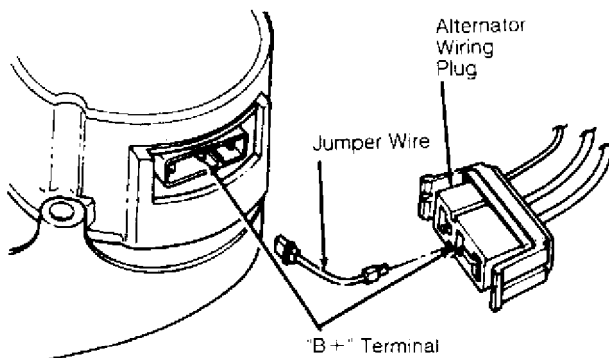
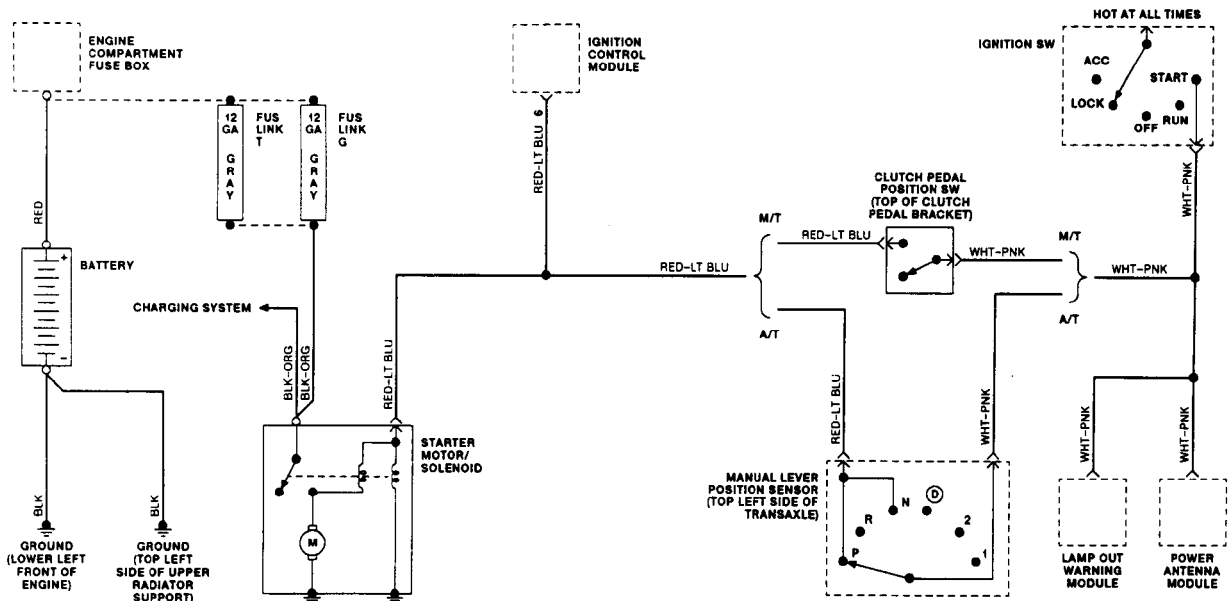


Fig. 107: Locating Alternator Wiring Plug "B+" (External Fan)

STARTER



93D41320
Fig. 108: Starter System Wiring Diagram (Taurus SHO)

WIRING DIAGRAMS

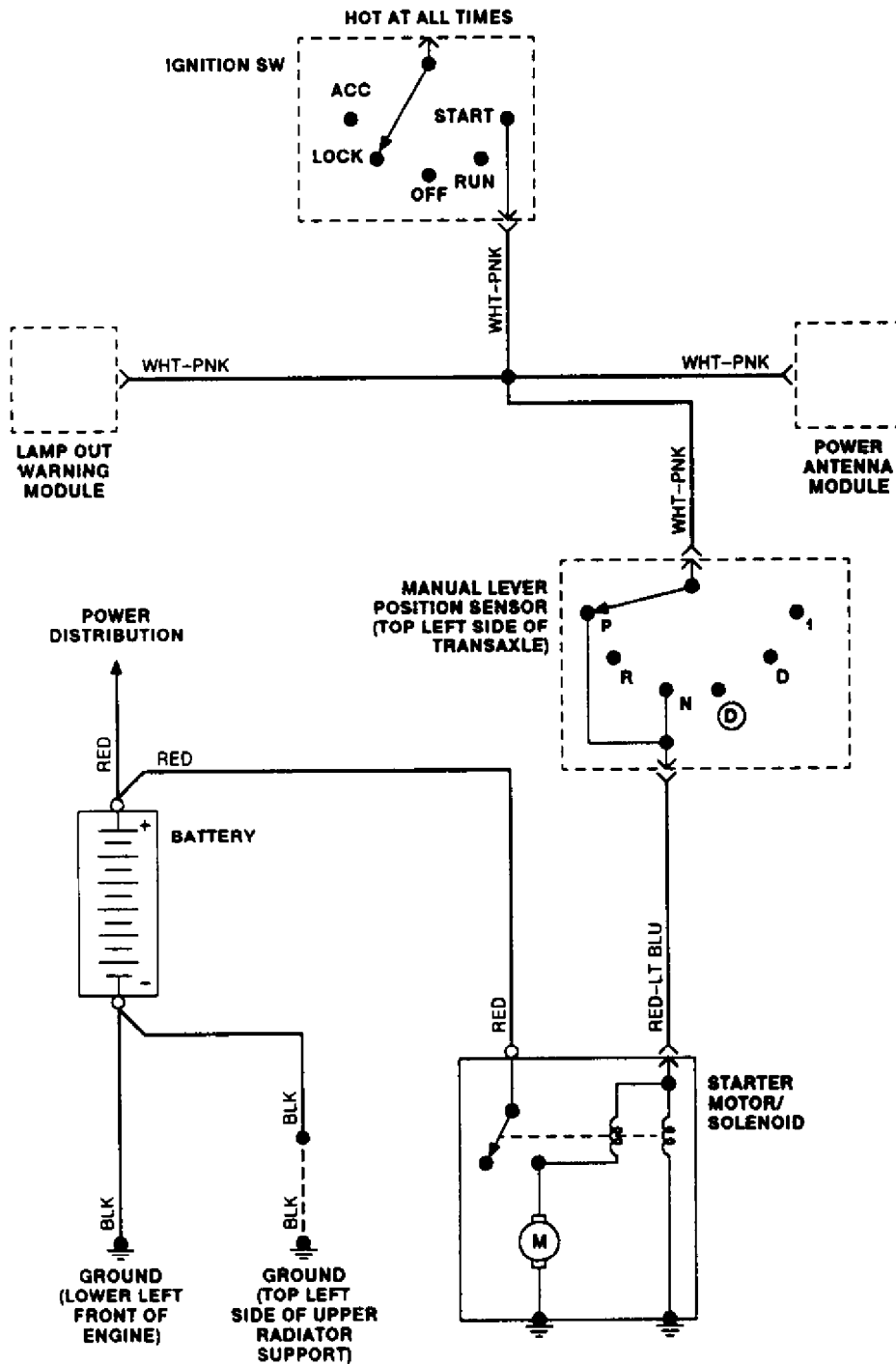
Selected Block (p. 5)

1993 Ford Taurus

For <http://www.mitchell.narod.ru/>

Copyright © 1997 Mitchell International

Friday, March 02, 2001 02:31PM



93G40010

Fig. 109: Starter System Wiring Diagram (Exc SHO)