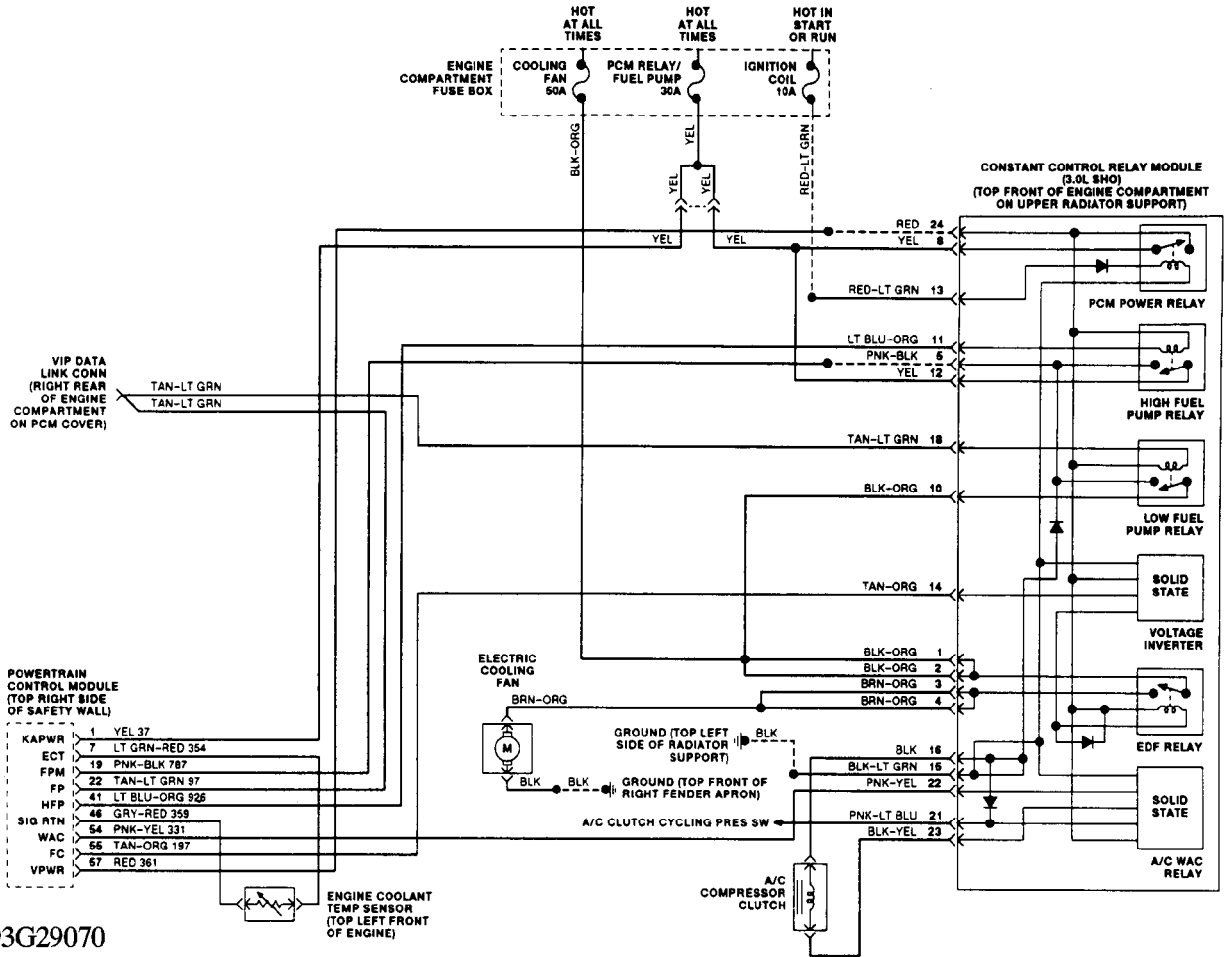


WIRING DIAGRAMS
Selected Block
 1993 Ford Taurus
 For <http://www.mitchell.narod.ru/>
 Copyright © 1997 Mitchell International
 Friday, March 02, 2001 02:32PM

ENGINE COOLING FANS



93G29070

Fig. 110: Electric Cooling Fan Wiring Diagram (3.0L SHO)

WIRING DIAGRAMS

Selected Block (p. 2)

1993 Ford Taurus

For <http://www.mitchell.narod.ru/>

Copyright © 1997 Mitchell International

Friday, March 02, 2001 02:32PM

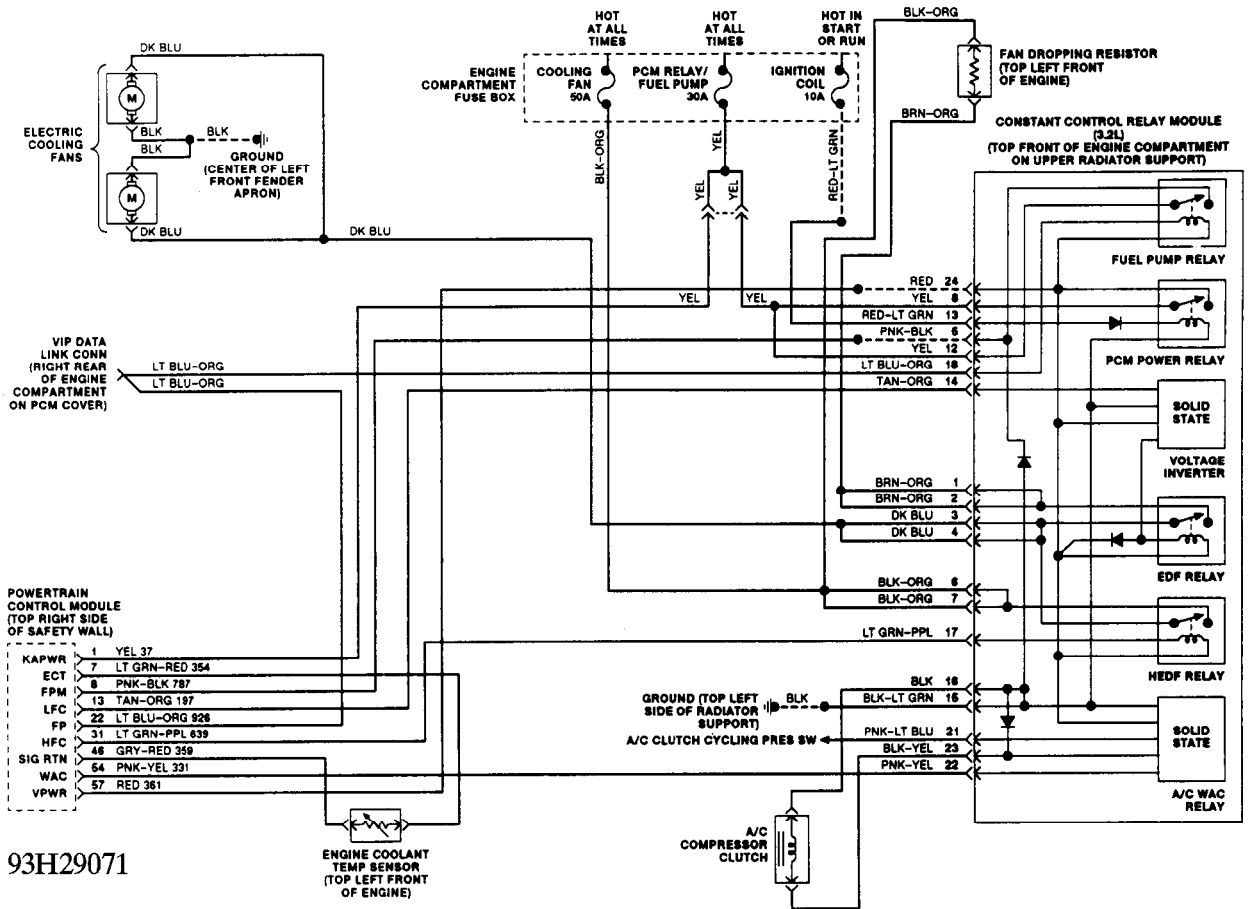
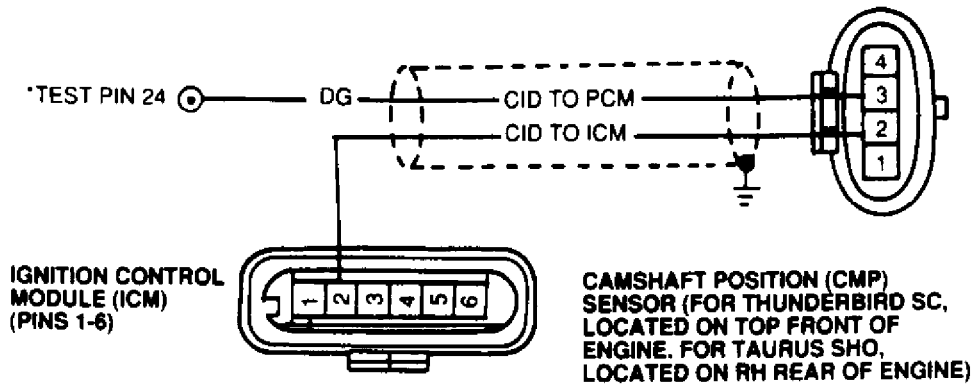


Fig. 111: Electric Cooling Fan Wiring Diagram (3.2L SHO)

G - 3.0L SHO TESTS W/ CODES



*TEST PINS LOCATED ON BREAKOUT BOX
ALL HARNESS CONNECTORS VIEWED IN MATING SURFACE

93D40538

Fig. 112: CID Wiring Harness Circuits (3.0L SHO)

WIRING DIAGRAMS

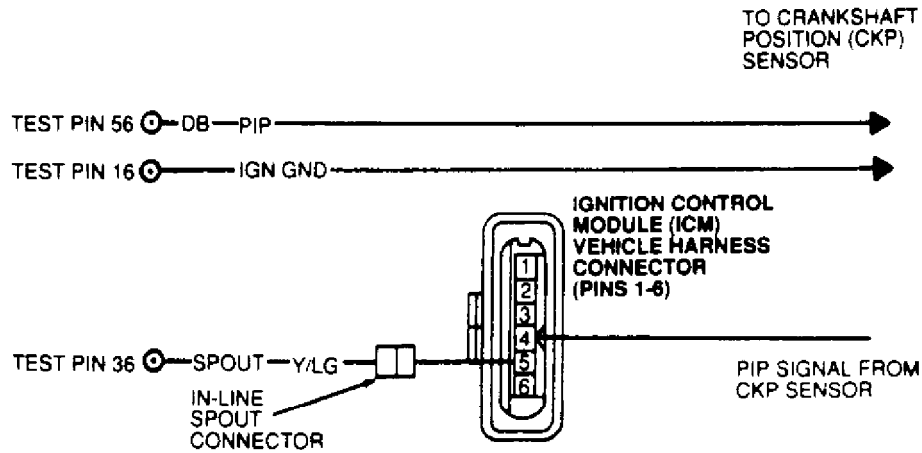
Selected Block (p. 3)

1993 Ford Taurus

For <http://www.mitchell.narod.ru/>

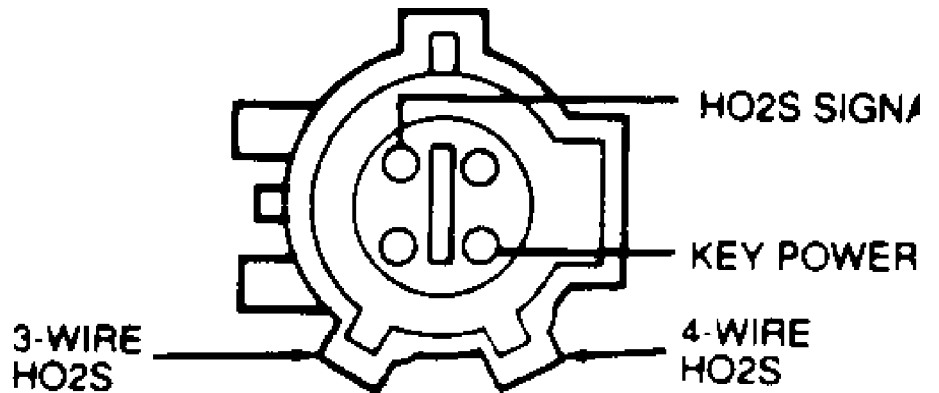
Copyright © 1997 Mitchell International

Friday, March 02, 2001 02:32PM



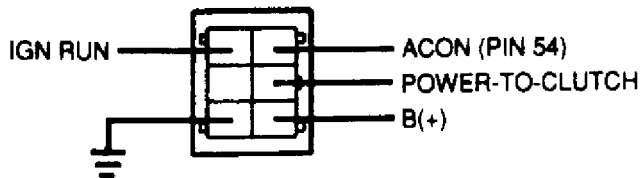
93G40804

Fig. 113: DIS Module Wiring Harness Connector Terminals (3.0L SHO)



93B40619

Fig. 114: HO2S Sensor Wiring Harness Connector



93G40754

Fig. 115: Identifying A/C Relay Wiring Harness Connector Terminals

WIRING DIAGRAMS

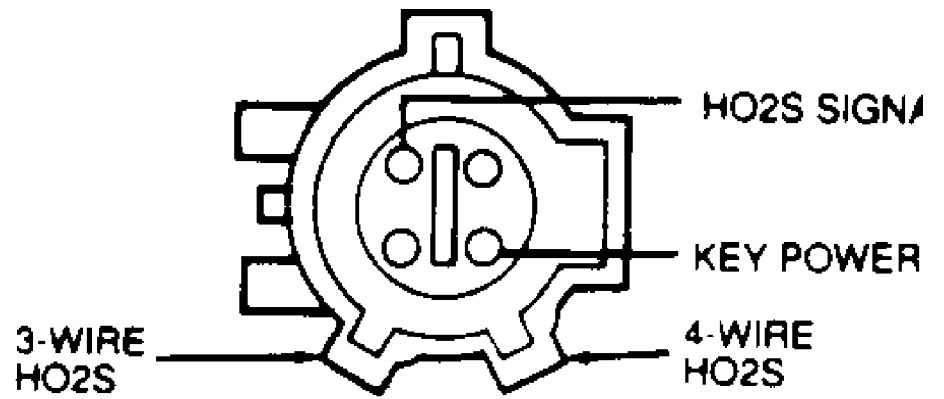
Selected Block (p. 4)

1993 Ford Taurus

For <http://www.mitchell.narod.ru/>

Copyright © 1997 Mitchell International

Friday, March 02, 2001 02:32PM



93B40619

Fig. 116: Identifying HO2S Sensor Wiring Harness Connector Terminals

WIRING DIAGRAMS

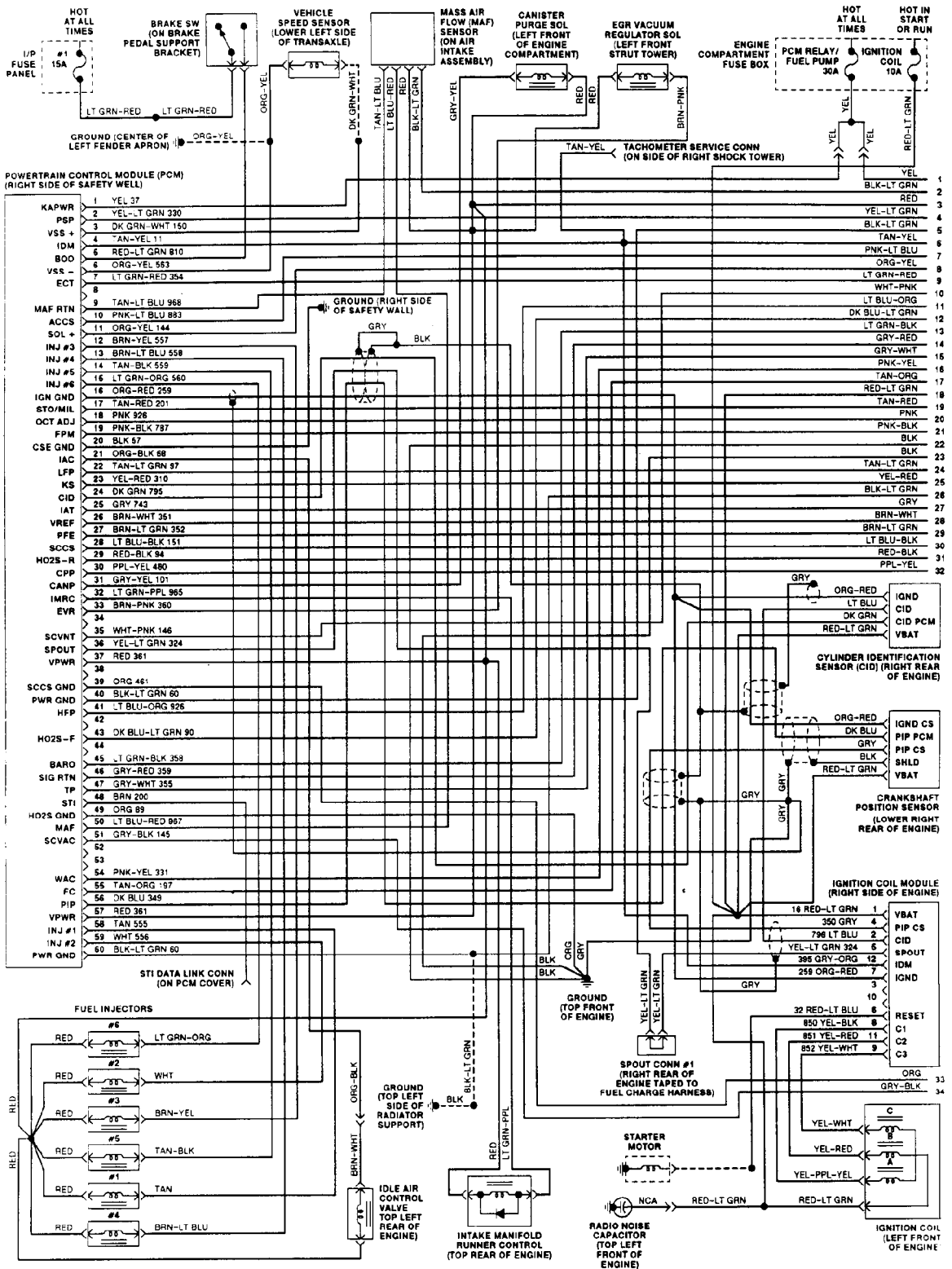
Selected Block (p. 5)

1993 Ford Taurus

For <http://www.mitchell.narod.ru/>

Copyright © 1997 Mitchell International

Friday, March 02, 2001 02:32PM



93H40664

Fig. 117: EEC-IV Wiring Diagram (3.0L SHO - 1 of 2)

WIRING DIAGRAMS

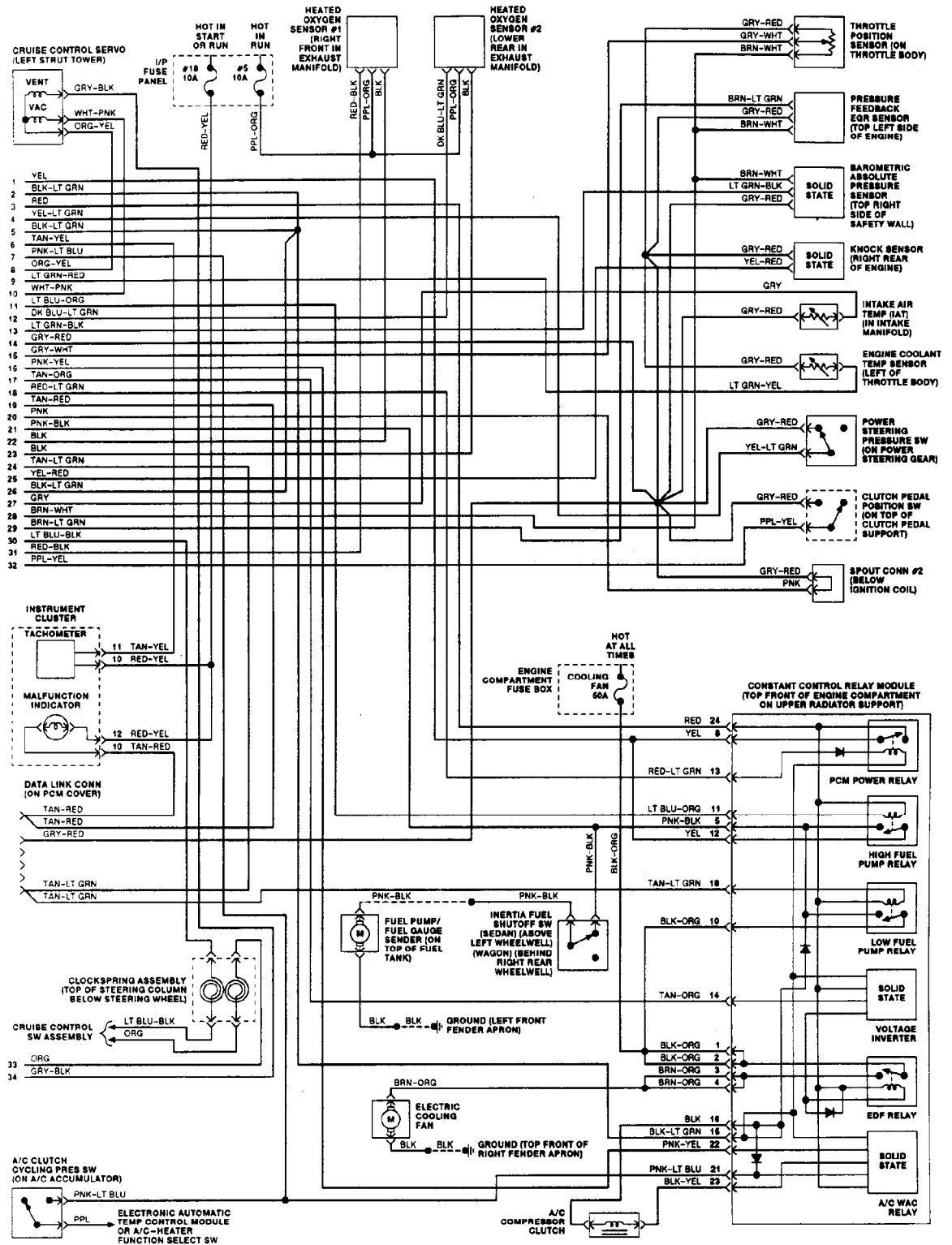
Selected Block (p. 6)

1993 Ford Taurus

For <http://www.mitchell.narod.ru/>

Copyright © 1997 Mitchell International

Friday, March 02, 2001 02:32PM



93I40665

Fig. 118: EEC-IV Wiring Diagram (3.0L SHO - 2 of 2)