

SYSTEM WIRING DIAGRAMS

Selected Block

1995 Ford Taurus

For <http://www.mitchell.narod.ru/>

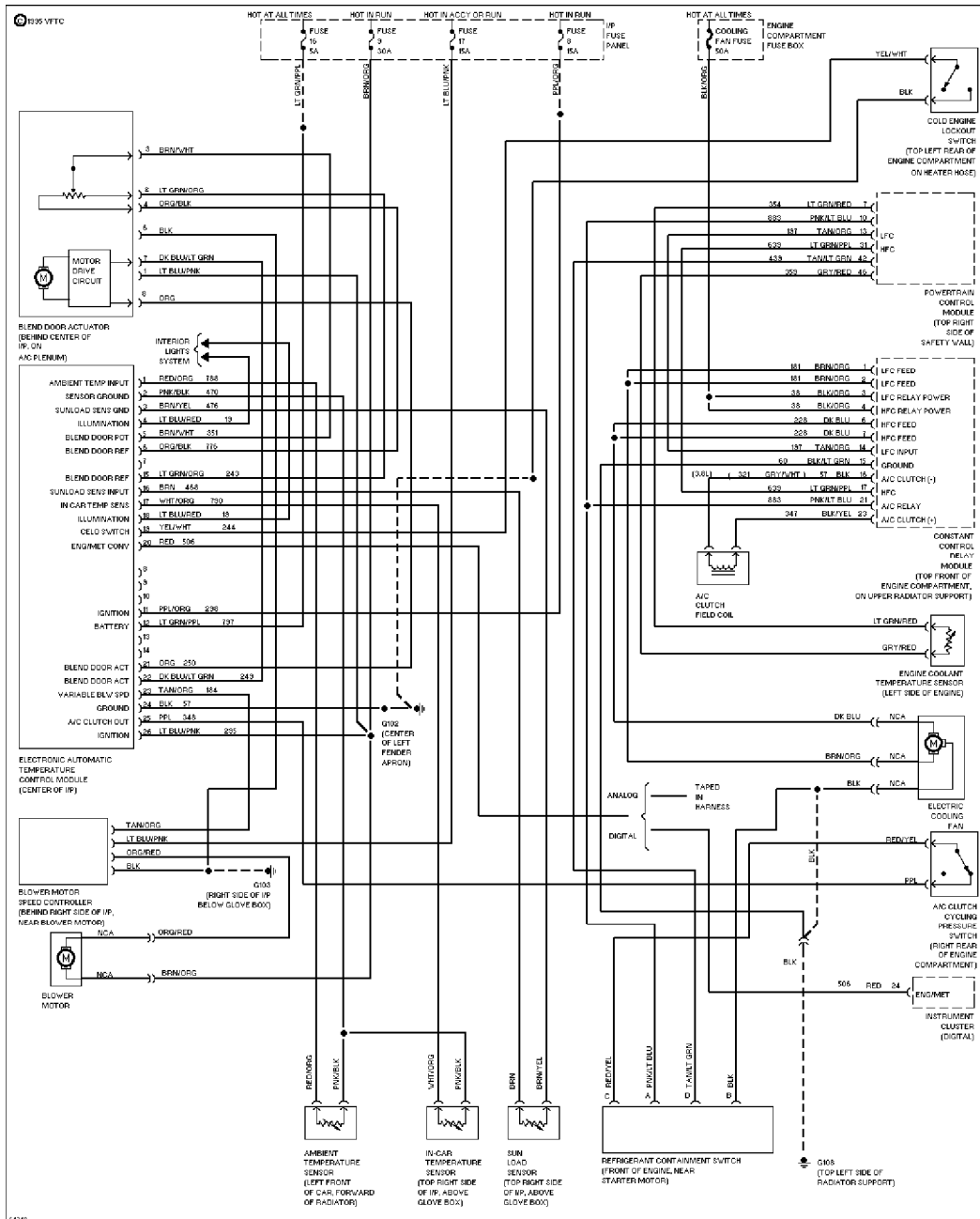
Copyright © 1997 Mitchell International

Friday, March 02, 2001 09:06PM

1995 System Wiring Diagrams
Ford - Taurus

AIR CONDITIONING

3.0L



3.0L Flex Fuel, A/C Circuit, Auto A/C

SYSTEM WIRING DIAGRAMS

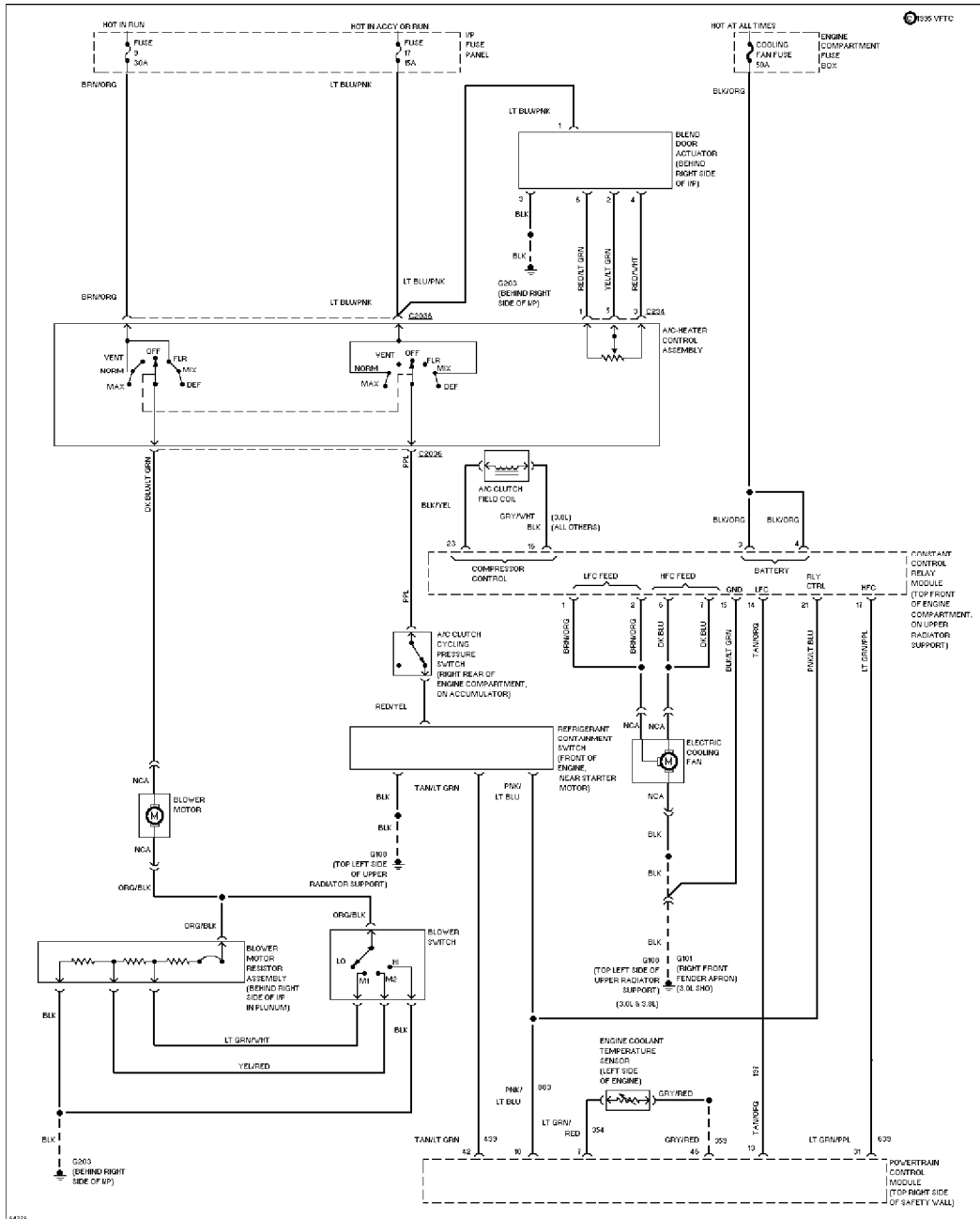
Selected Block (p. 2)

1995 Ford Taurus

For <http://www.mitchell.narod.ru/>

Copyright © 1997 Mitchell International

Friday, March 02, 2001 09:06PM



3.0L Flex Fuel, A/C Circuit, Manual A/C

SYSTEM WIRING DIAGRAMS

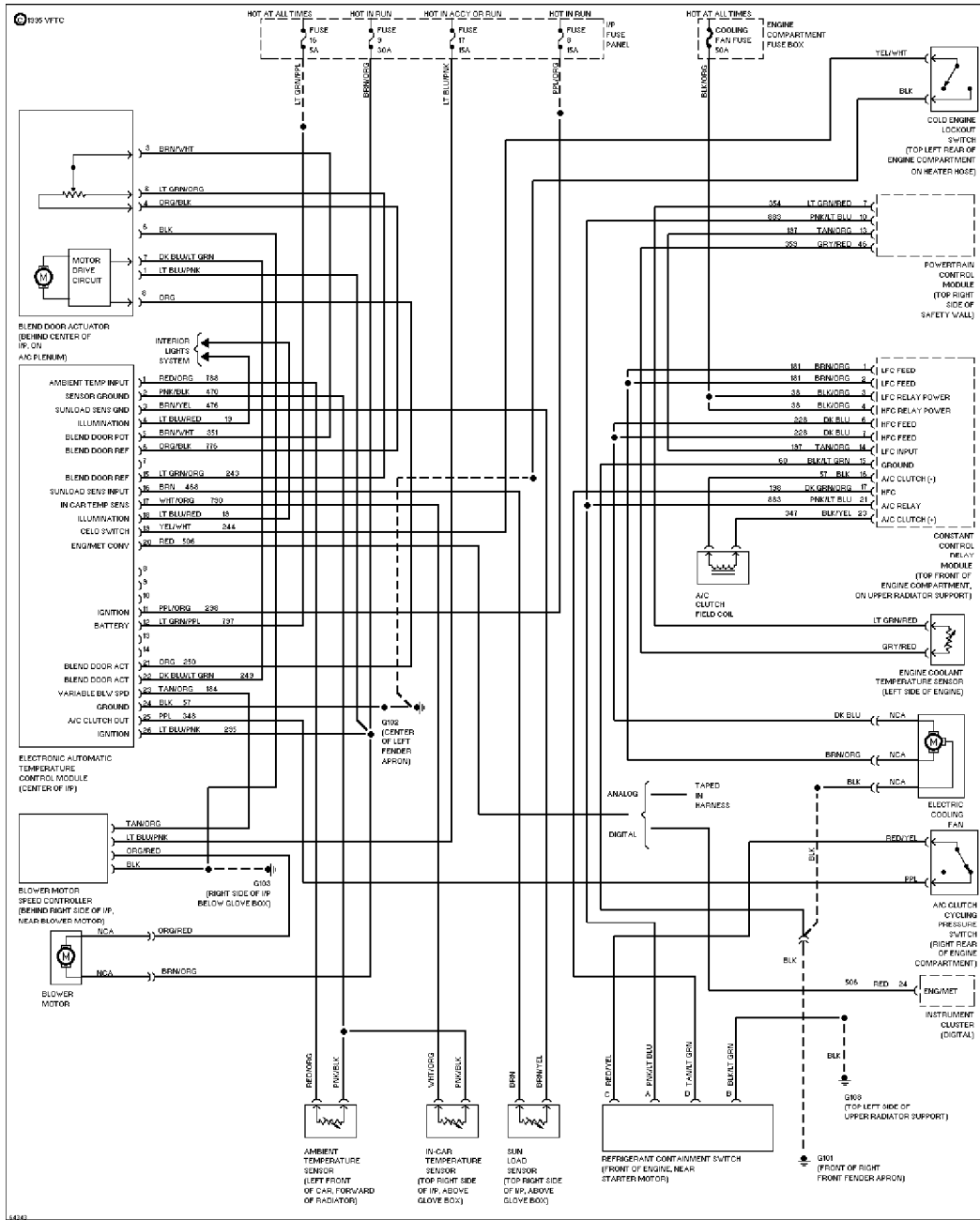
Selected Block (p. 3)

1995 Ford Taurus

For <http://www.mitchell.narod.ru/>

Copyright © 1997 Mitchell International

Friday, March 02, 2001 09:06PM



3.0L SHO, A/C Circuit, Auto A/C

SYSTEM WIRING DIAGRAMS

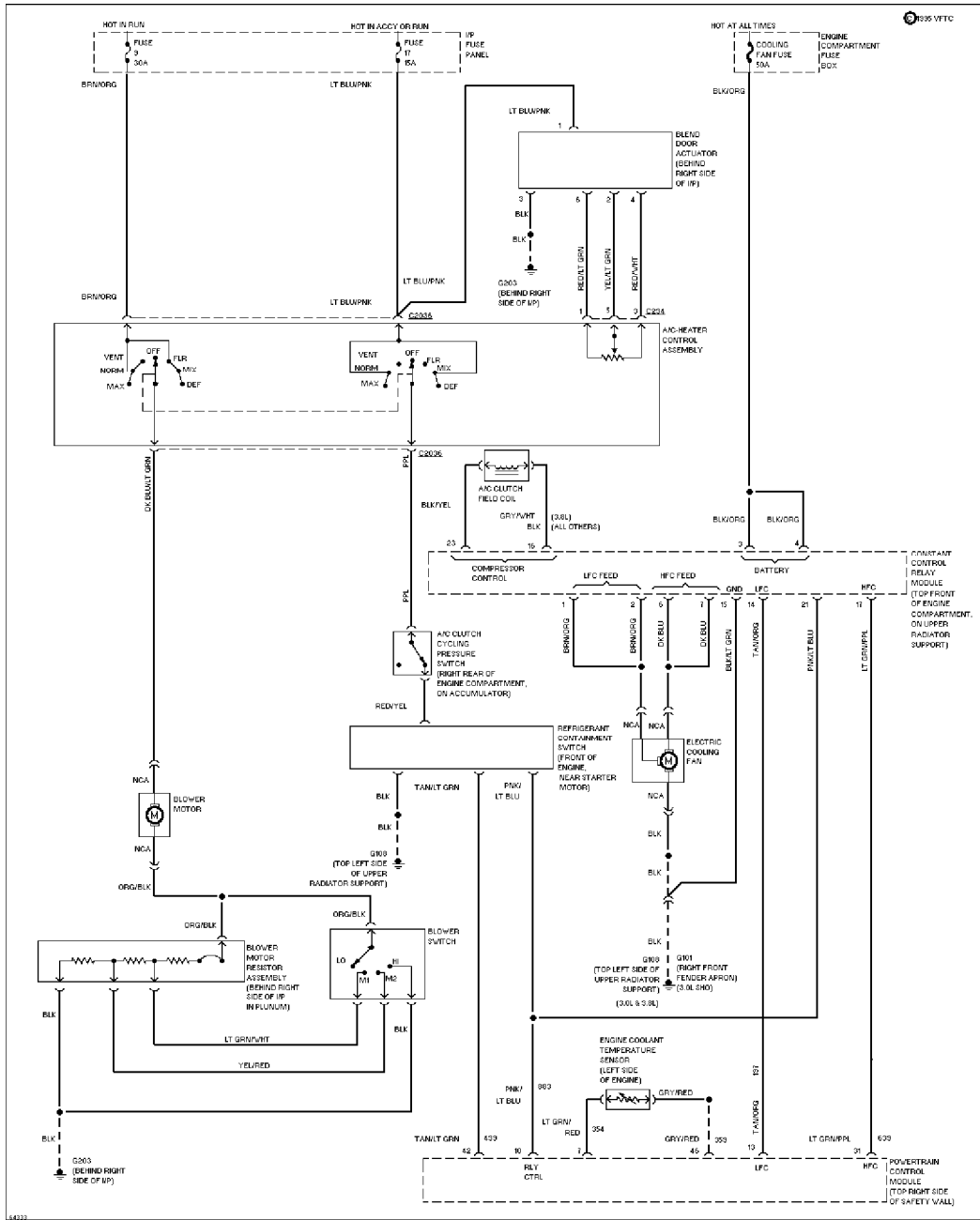
Selected Block (p. 4)

1995 Ford Taurus

For <http://www.mitchell.narod.ru/>

Copyright © 1997 Mitchell International

Friday, March 02, 2001 09:06PM



3.0L SHO, A/C Circuit, Manual A/C

SYSTEM WIRING DIAGRAMS

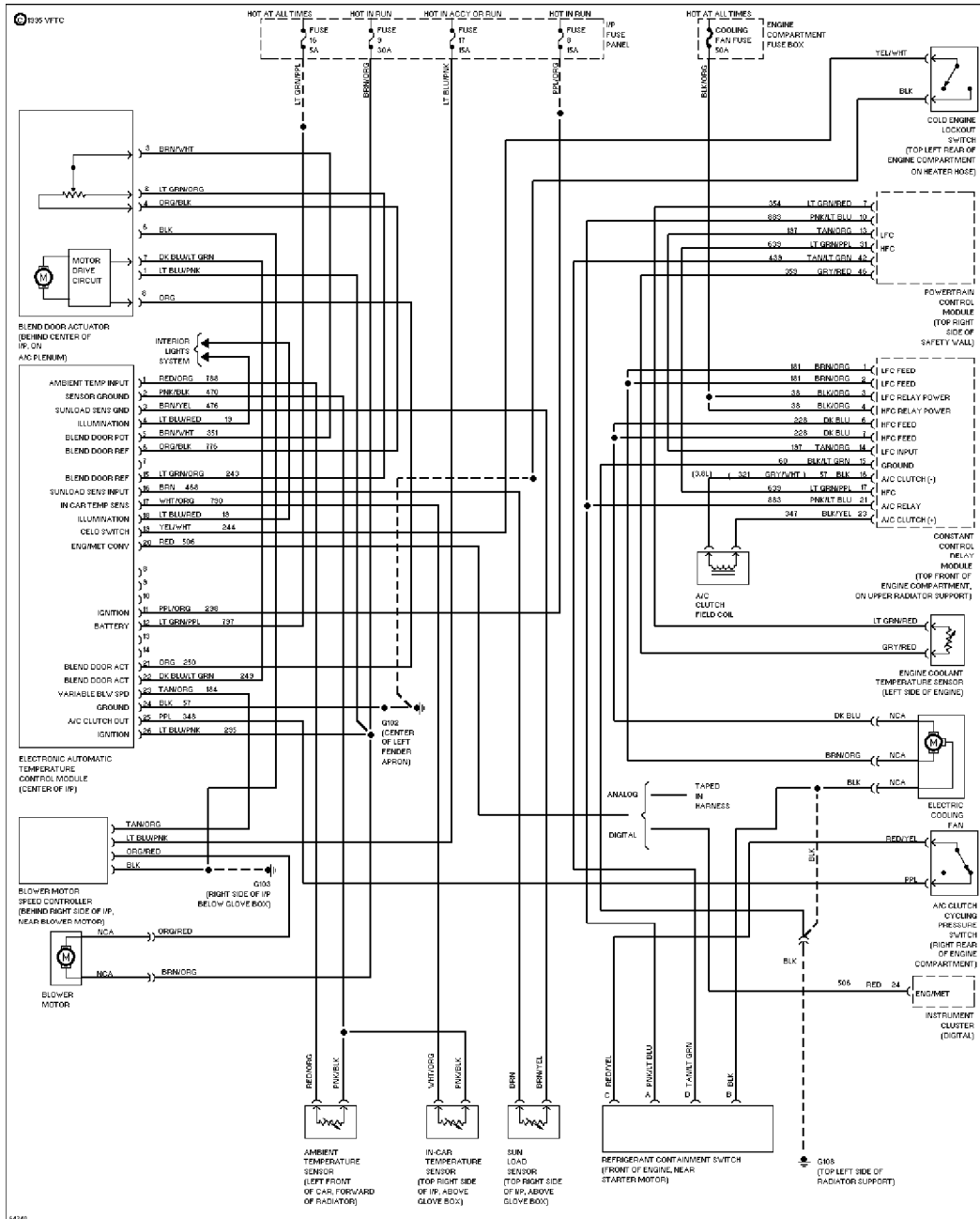
Selected Block (p. 5)

1995 Ford Taurus

For <http://www.mitchell.narod.ru/>

Copyright © 1997 Mitchell International

Friday, March 02, 2001 09:06PM



3.0L, A/C Circuit, Auto A/C

SYSTEM WIRING DIAGRAMS

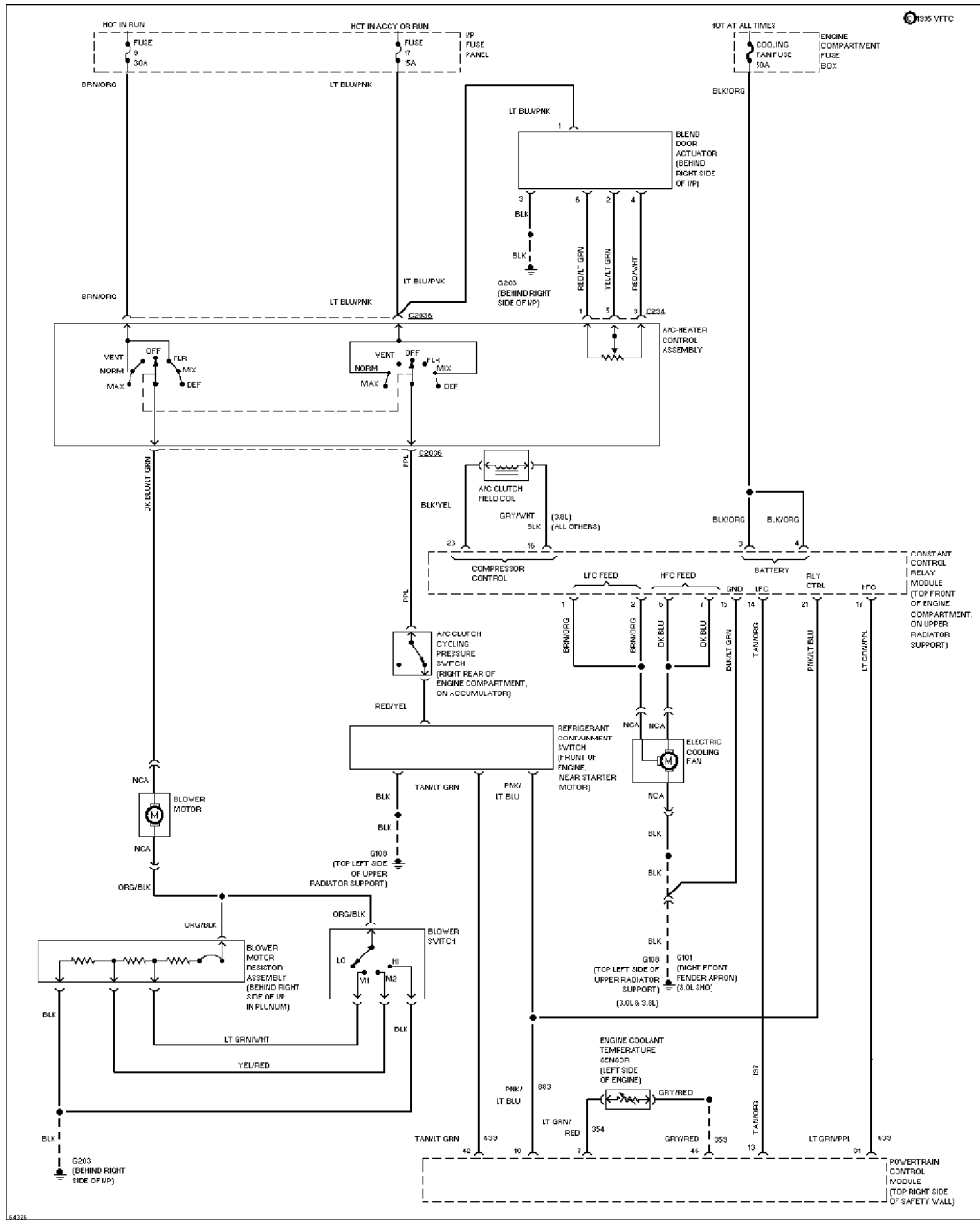
Selected Block (p. 6)

1995 Ford Taurus

For <http://www.mitchell.narod.ru/>

Copyright © 1997 Mitchell International

Friday, March 02, 2001 09:06PM



3.0L, A/C Circuit, Manual A/C