

# SYSTEM WIRING DIAGRAMS

## Selected Block

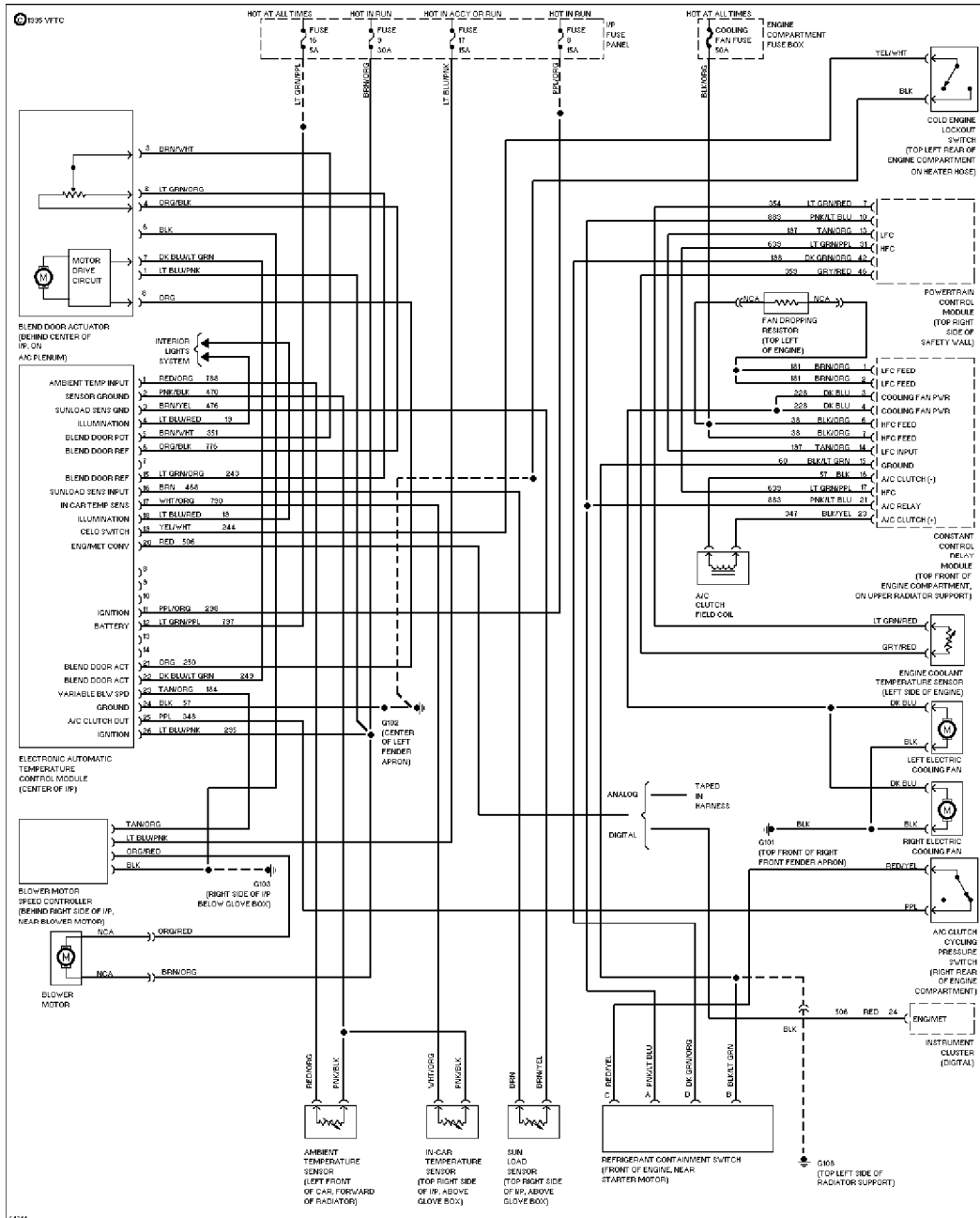
1995 Ford Taurus

For <http://www.mitchell.narod.ru/>

Copyright © 1997 Mitchell International

Friday, March 02, 2001 09:06PM

3.2L



3.2L SHO, A/C Circuit, Auto A/C

# SYSTEM WIRING DIAGRAMS

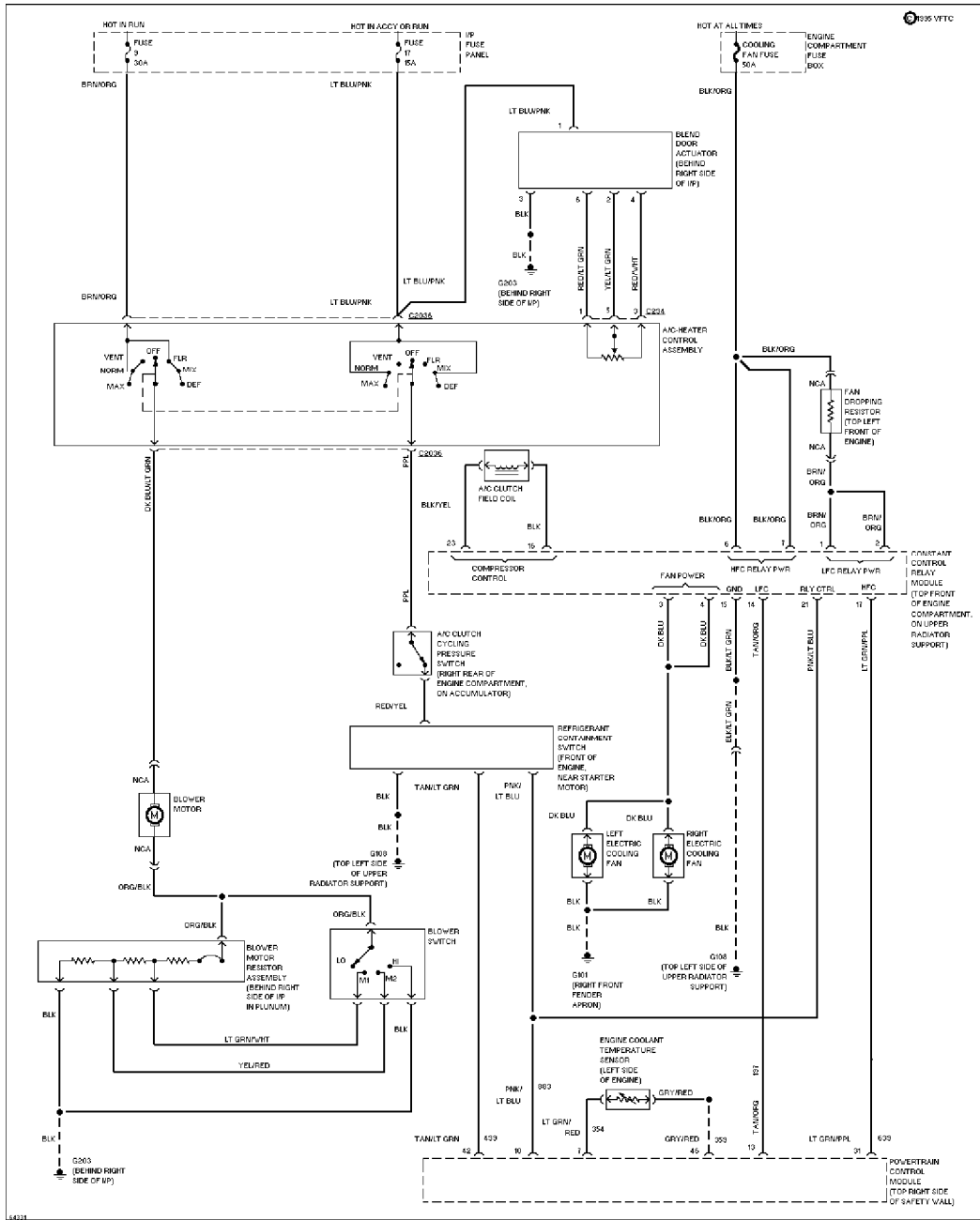
## Selected Block (p. 2)

1995 Ford Taurus

For <http://www.mitchell.narod.ru/>

Copyright © 1997 Mitchell International

Friday, March 02, 2001 09:06PM



# SYSTEM WIRING DIAGRAMS

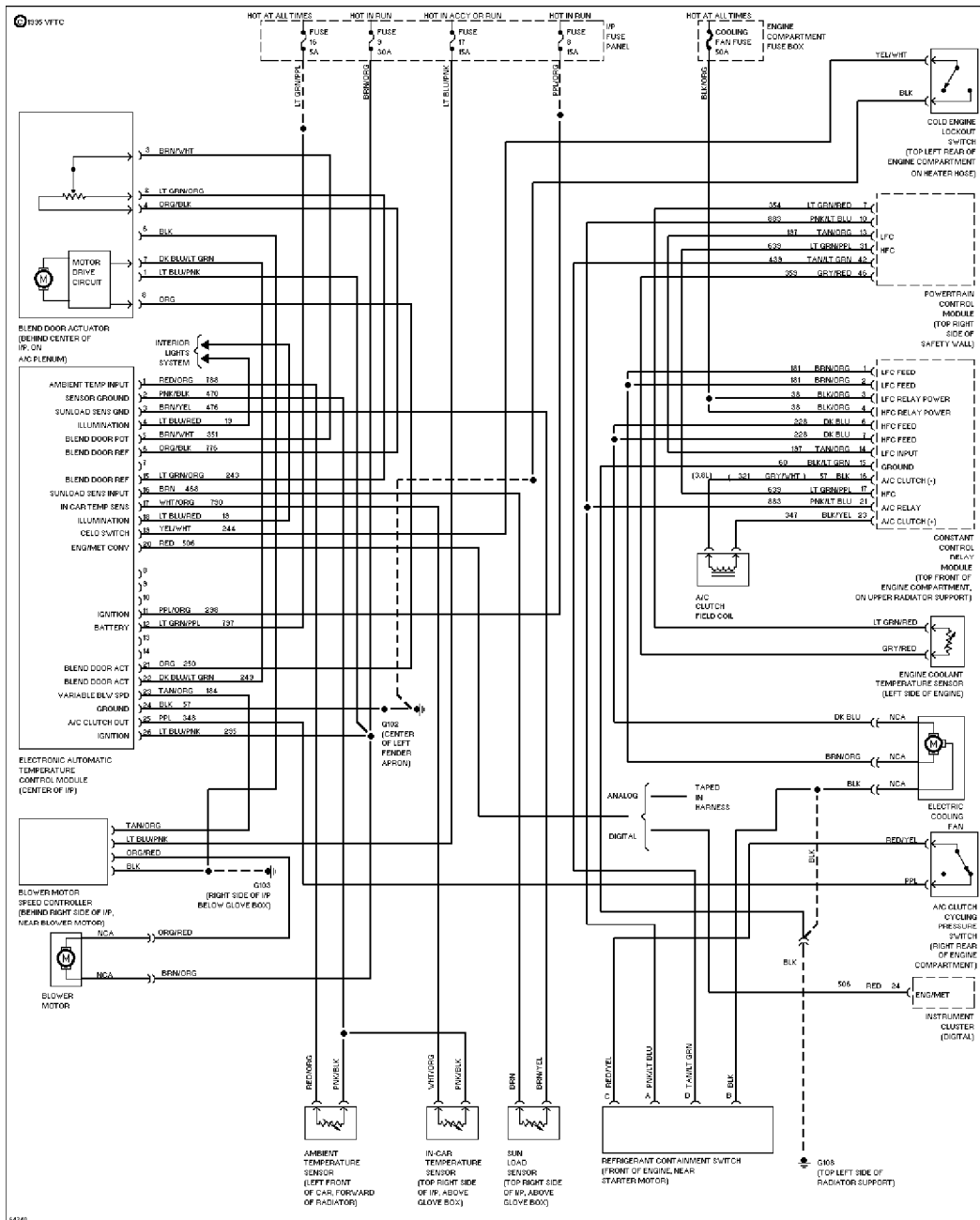
## Selected Block (p. 3)

1995 Ford Taurus

For <http://www.mitchell.narod.ru/>

Copyright © 1997 Mitchell International

Friday, March 02, 2001 09:06PM



3.8L, A/C Circuit, Auto A/C

# SYSTEM WIRING DIAGRAMS

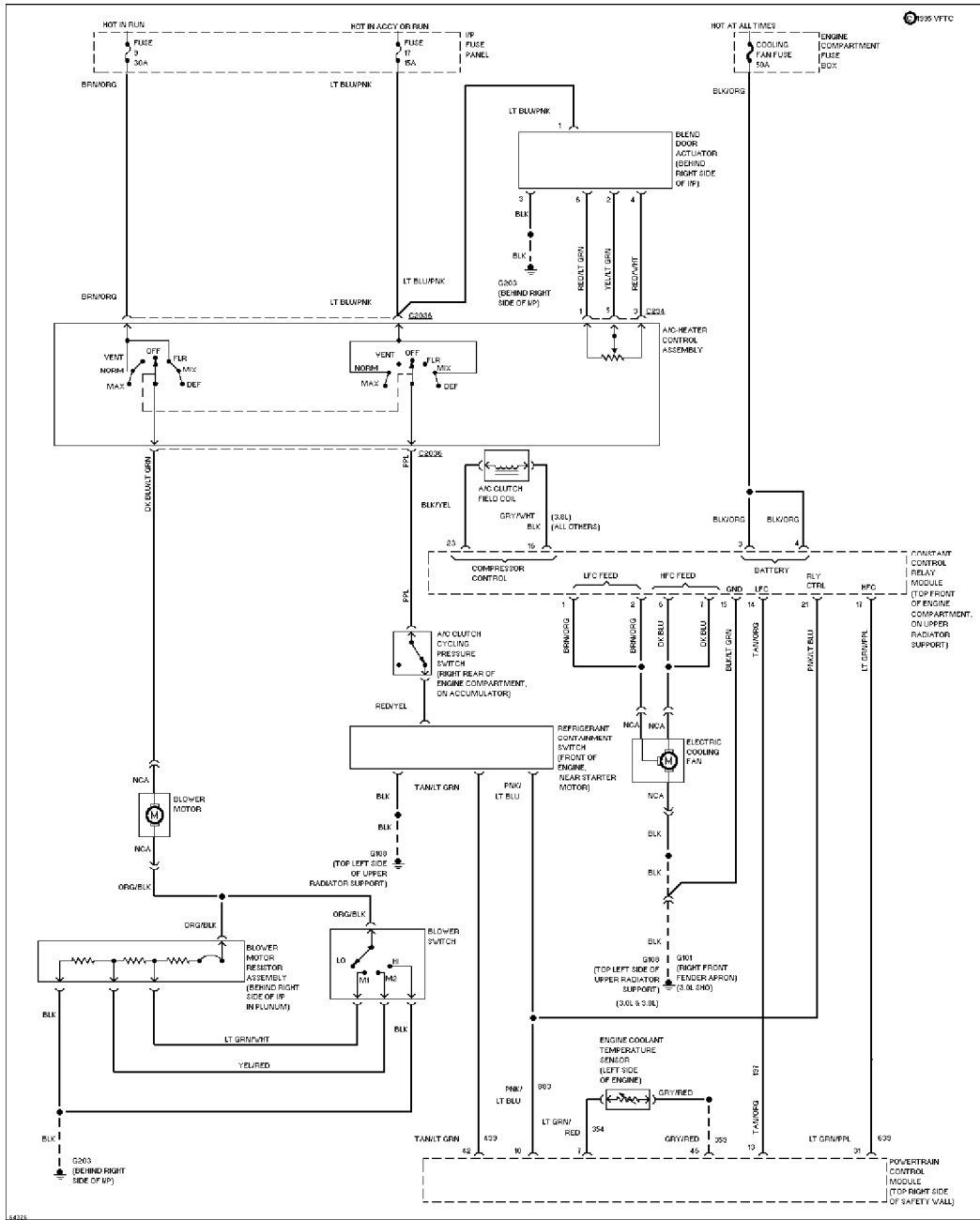
## Selected Block (p. 4)

1995 Ford Taurus

For <http://www.mitchell.narod.ru/>

Copyright © 1997 Mitchell International

Friday, March 02, 2001 09:06PM



3.8L, A/C Circuit, Manual A/C