

SYSTEM WIRING DIAGRAMS

Selected Block

1995 Ford Taurus

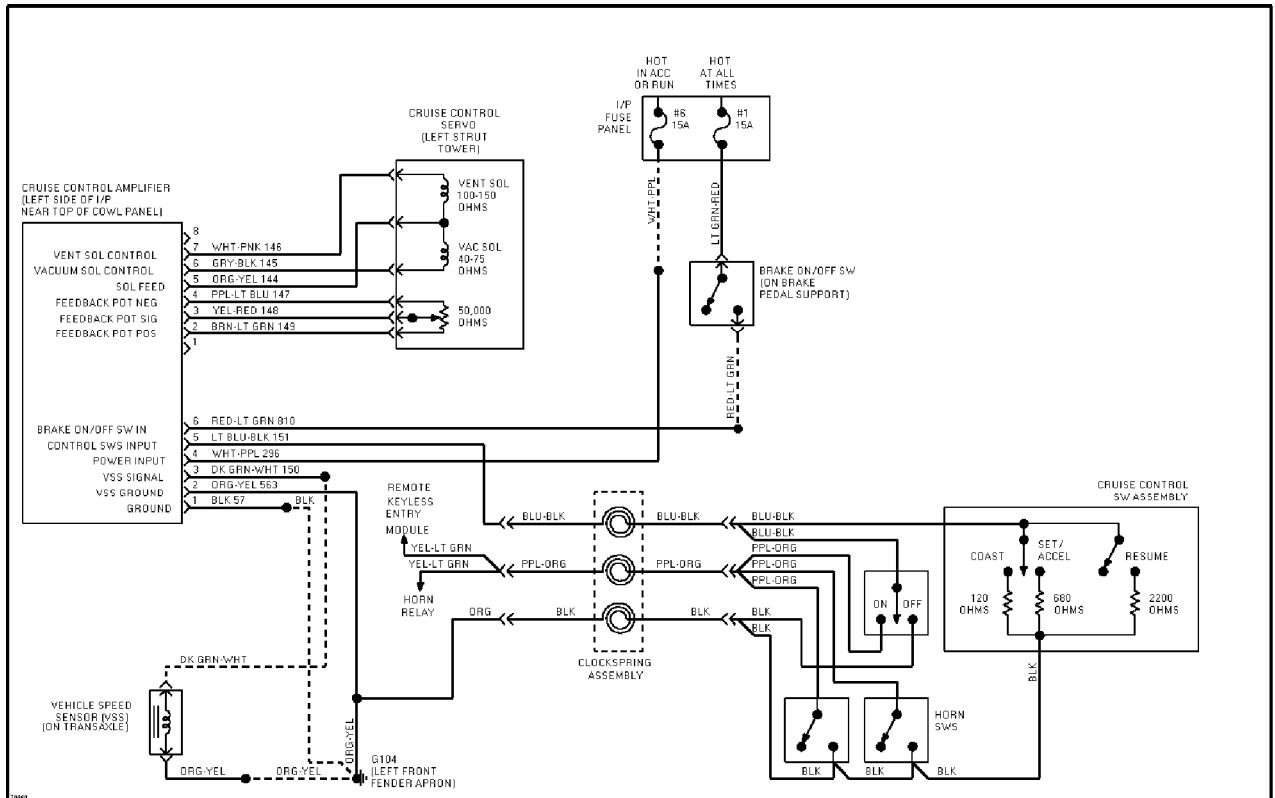
For <http://www.mitchell.narod.ru/>

Copyright © 1997 Mitchell International

Friday, March 02, 2001 09:07PM

CRUISE CONTROL

3.0L



3.0L Flex Fuel, Cruise Control Circuit

SYSTEM WIRING DIAGRAMS

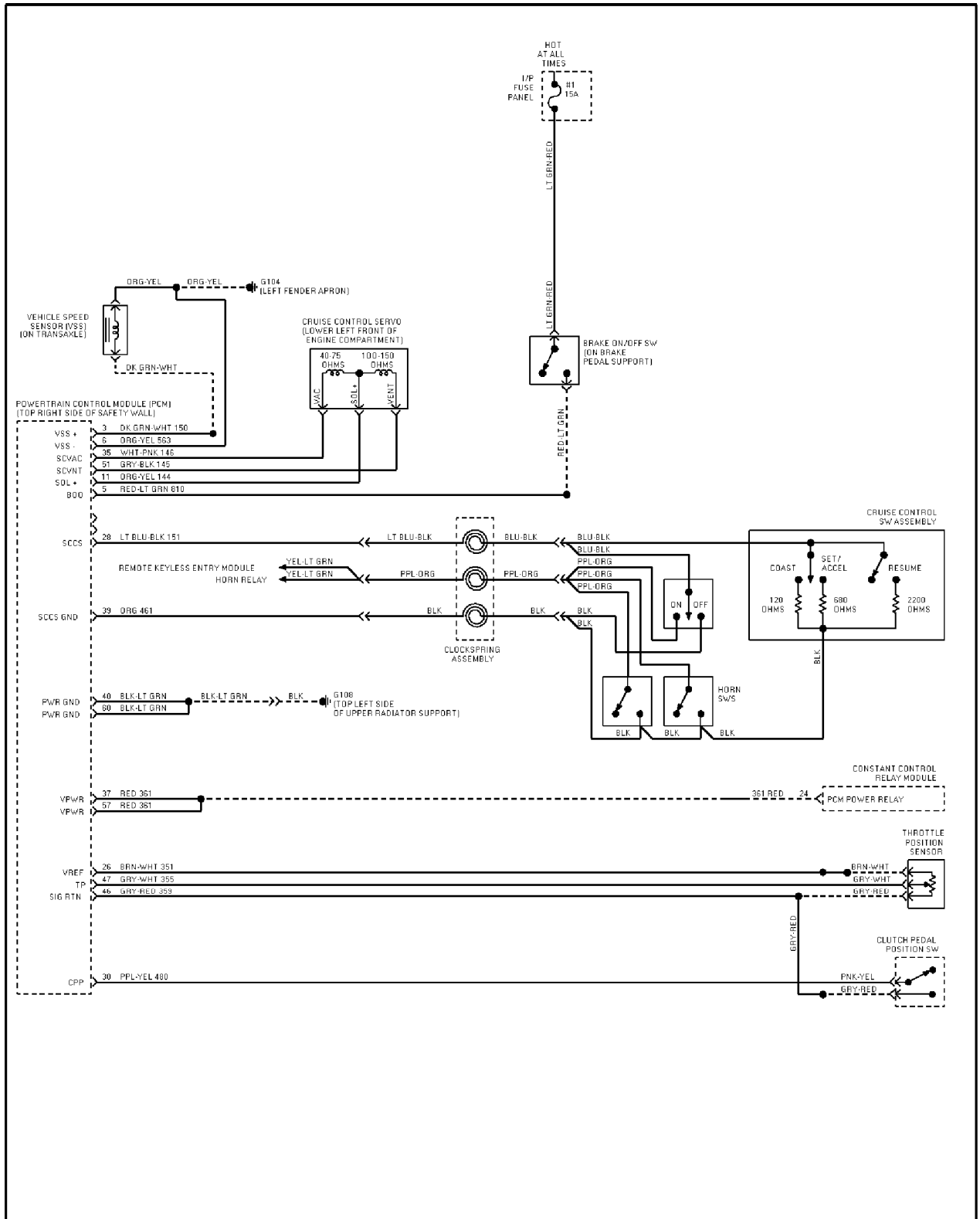
Selected Block (p. 2)

1995 Ford Taurus

For <http://www.mitchell.narod.ru/>

Copyright © 1997 Mitchell International

Friday, March 02, 2001 09:07PM



3.0L SHO, Cruise Control Circuit

SYSTEM WIRING DIAGRAMS

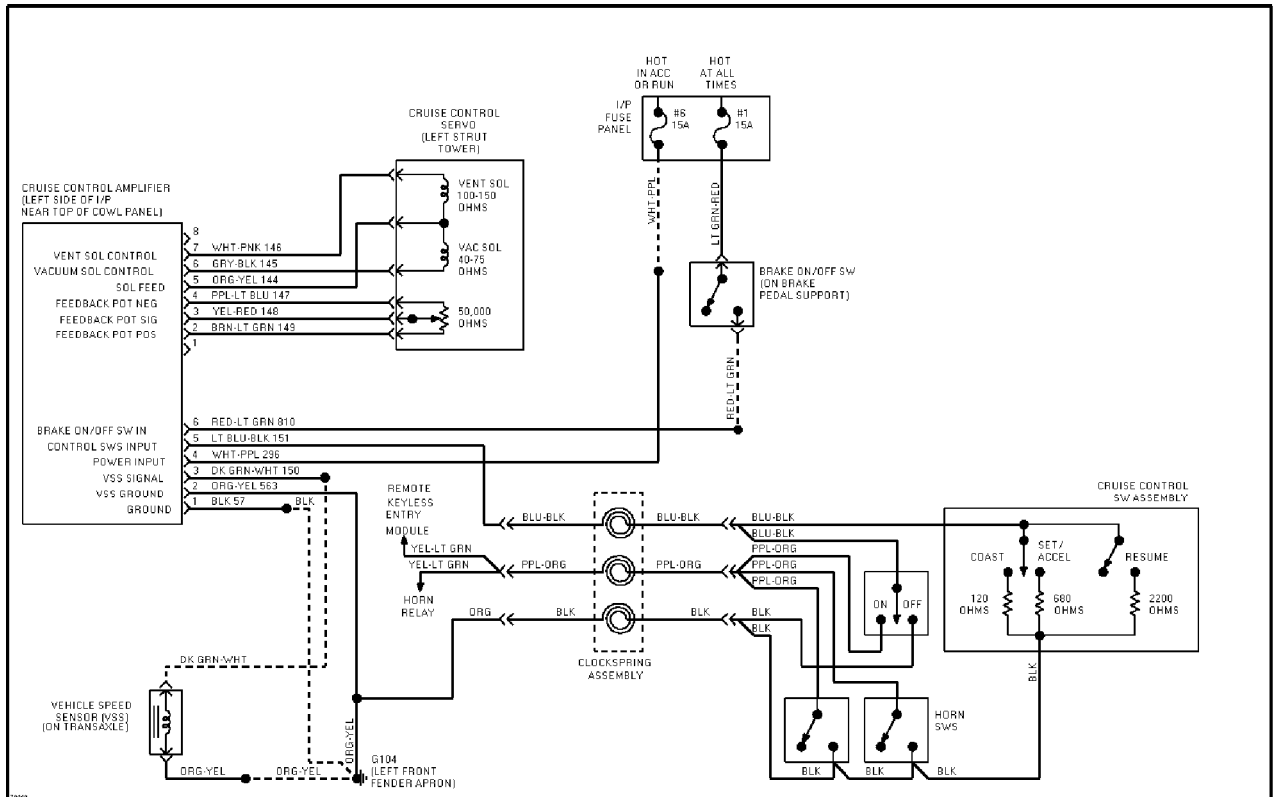
Selected Block (p. 3)

1995 Ford Taurus

For <http://www.mitchell.narod.ru/>

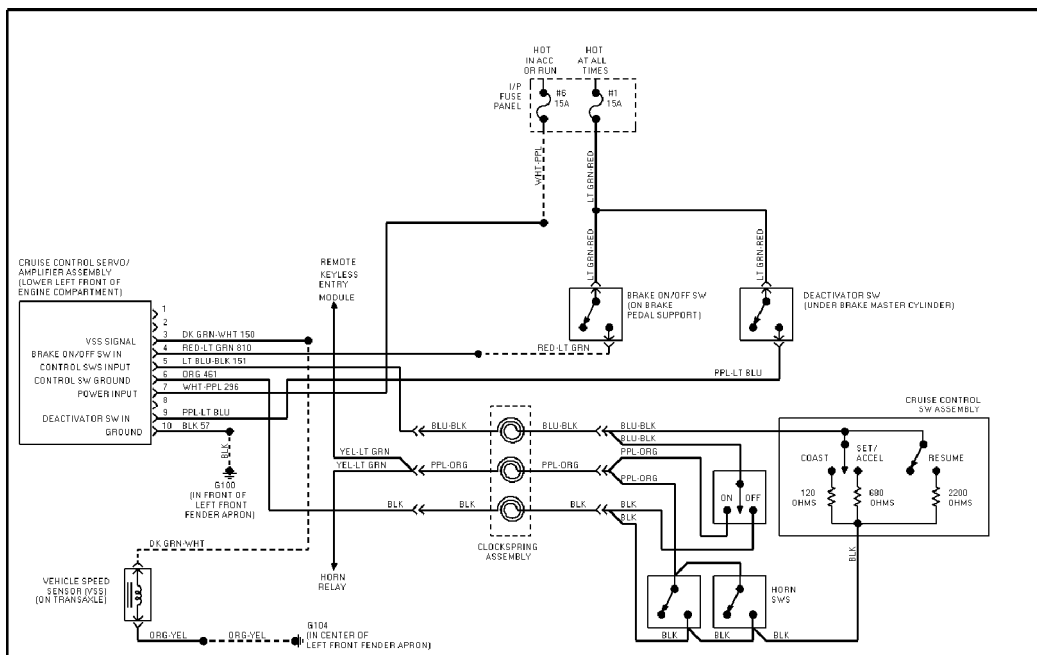
Copyright © 1997 Mitchell International

Friday, March 02, 2001 09:07PM



3.0L, Cruise Control Circuit

3.2L



3.2L SHO, Cruise Control Circuit

3.8L

SYSTEM WIRING DIAGRAMS

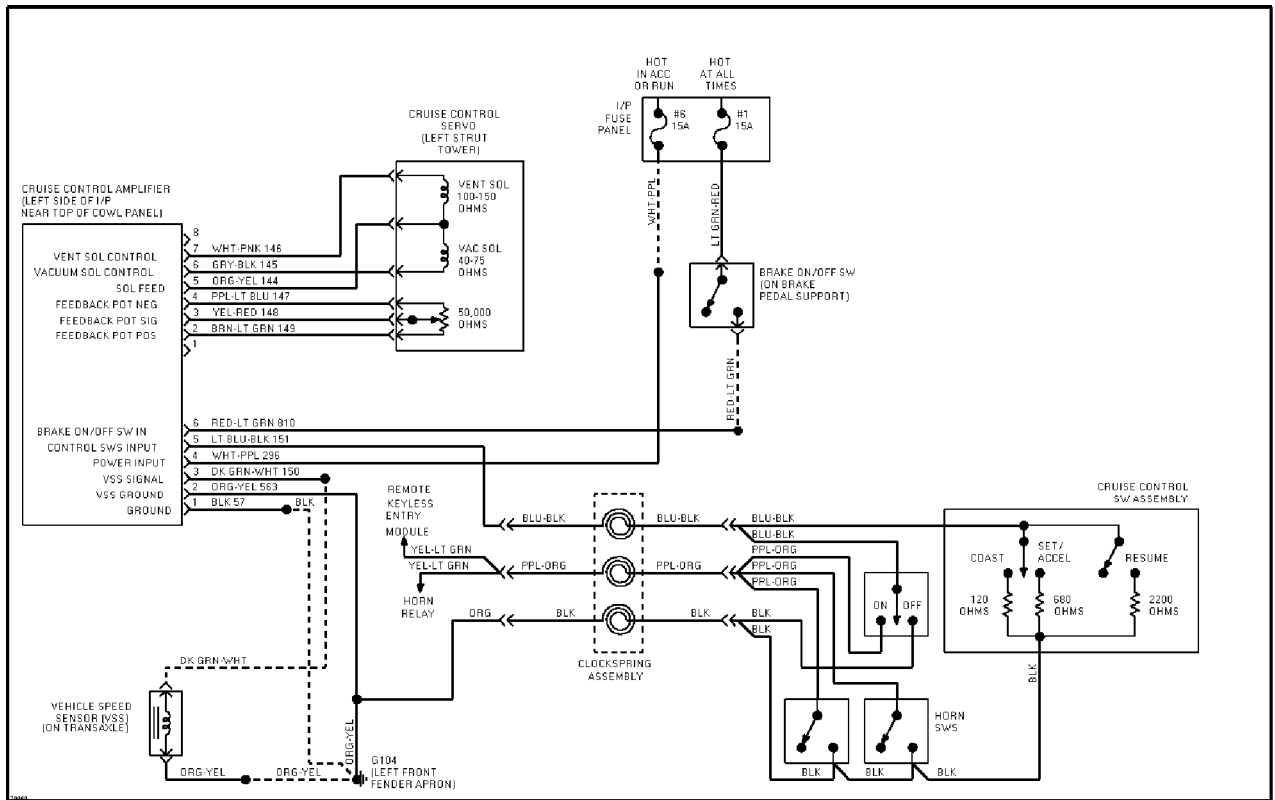
Selected Block (p. 4)

1995 Ford Taurus

For <http://www.mitchell.narod.ru/>

Copyright © 1997 Mitchell International

Friday, March 02, 2001 09:07PM



3.8L, Cruise Control Circuit

DEFOGGERS

SYSTEM WIRING DIAGRAMS

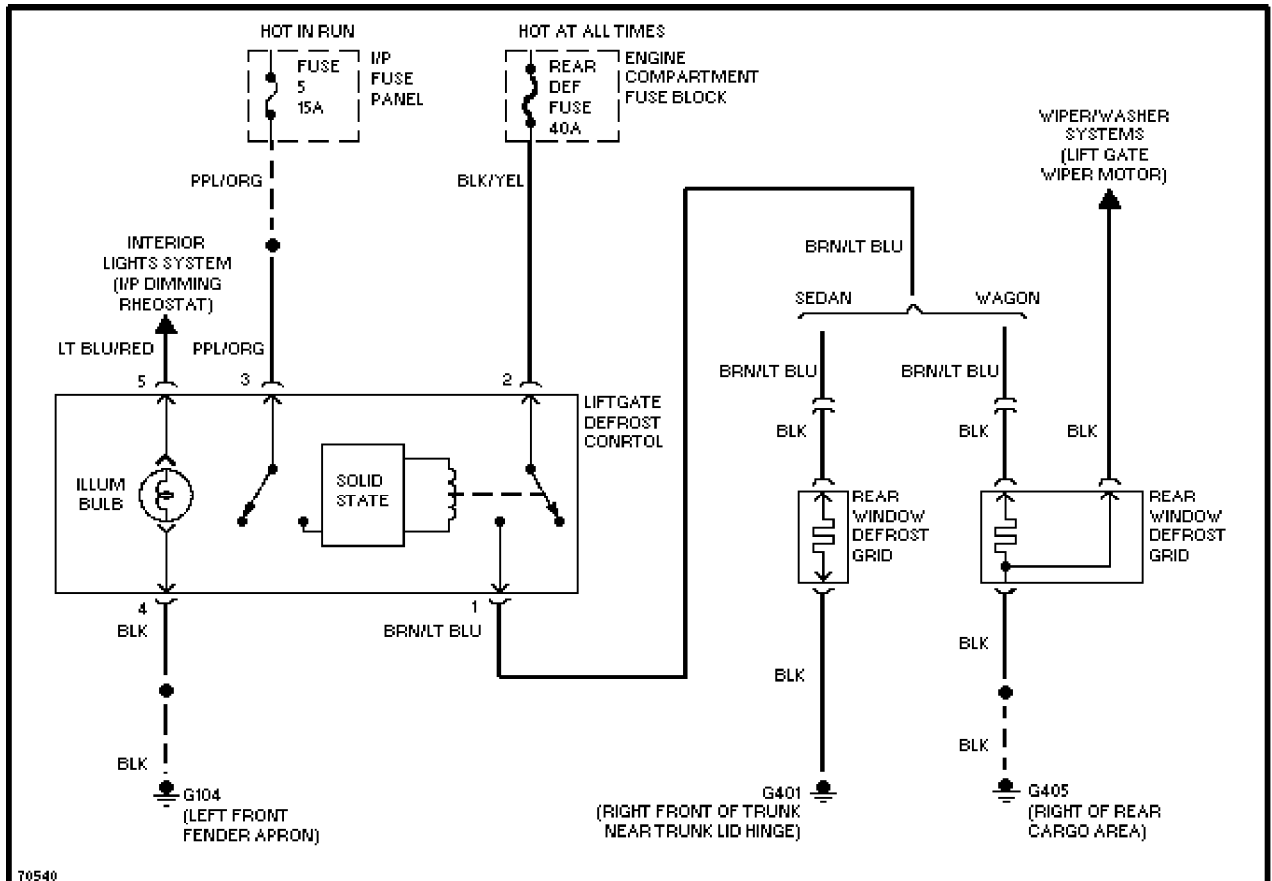
Selected Block (p. 5)

1995 Ford Taurus

For <http://www.mitchell.narod.ru/>

Copyright © 1997 Mitchell International

Friday, March 02, 2001 09:07PM



Defogger Circuit