

SYSTEM WIRING DIAGRAMS

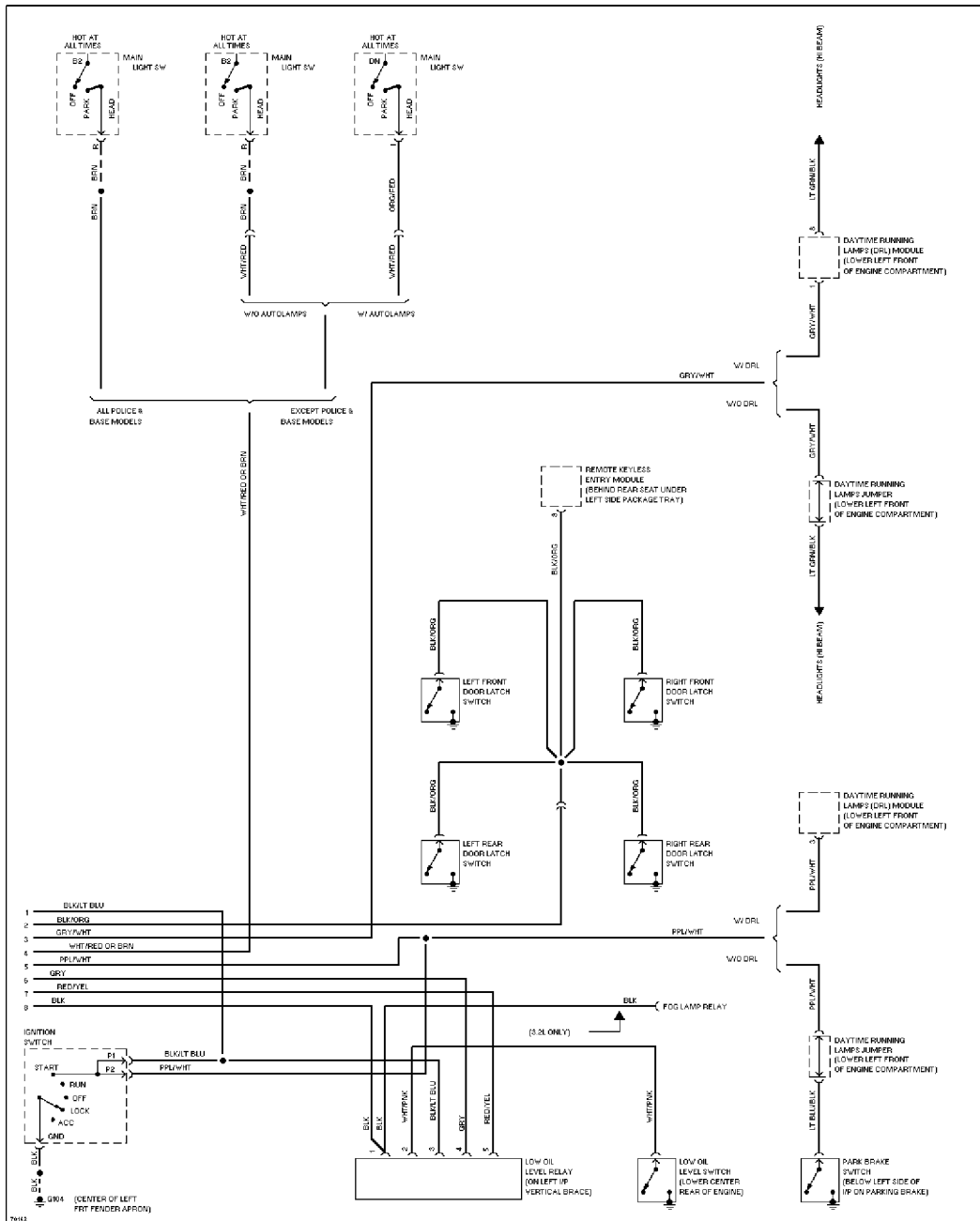
Selected Block

1995 Ford Taurus

For <http://www.mitchell.narod.ru/>

Copyright © 1997 Mitchell International

Friday, March 02, 2001 09:08PM



3.0L SHO, Instrument Cluster Circuit (2 of 2)

SYSTEM WIRING DIAGRAMS

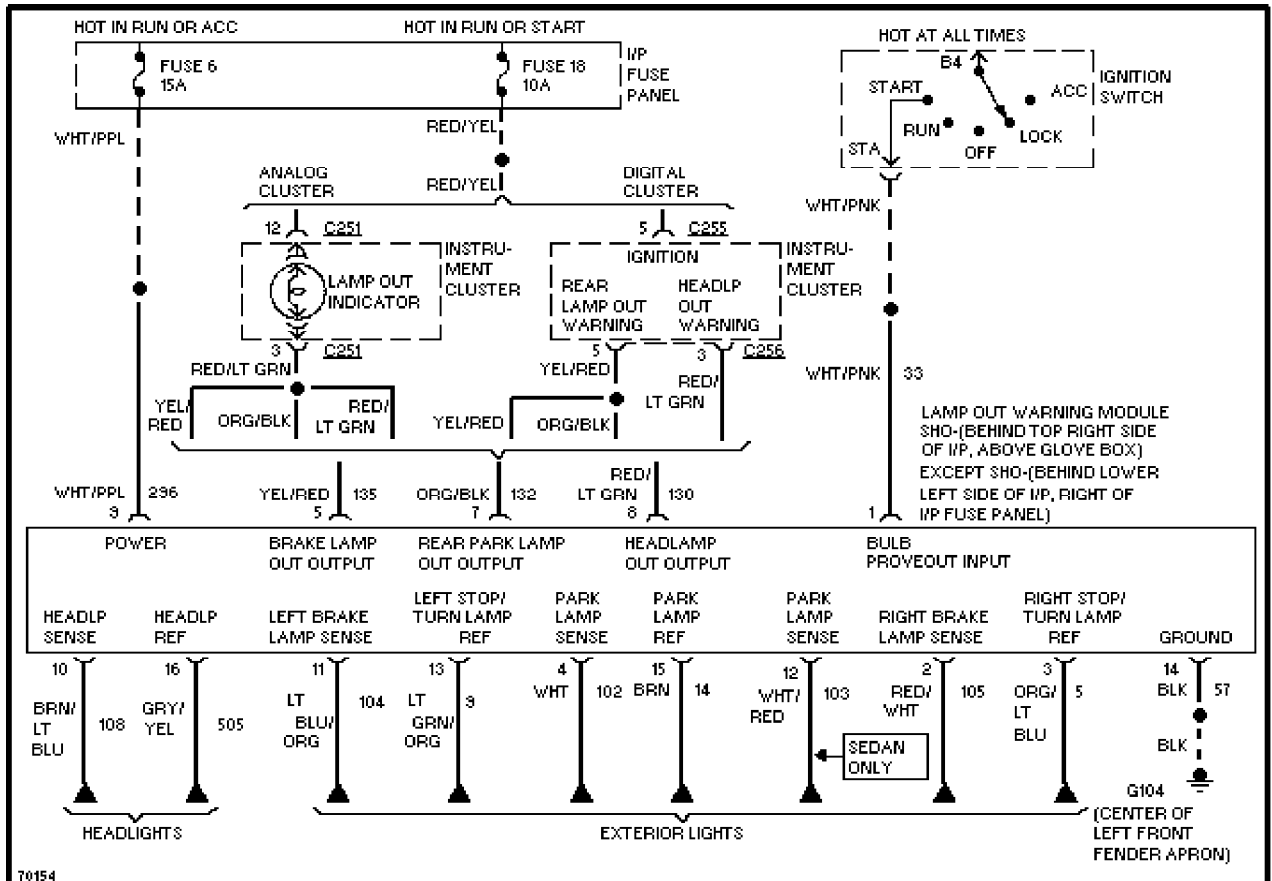
Selected Block (p. 2)

1995 Ford Taurus

For <http://www.mitchell.narod.ru/>

Copyright © 1997 Mitchell International

Friday, March 02, 2001 09:08PM



3.0L SHO, Lamp Monitor Circuit

SYSTEM WIRING DIAGRAMS

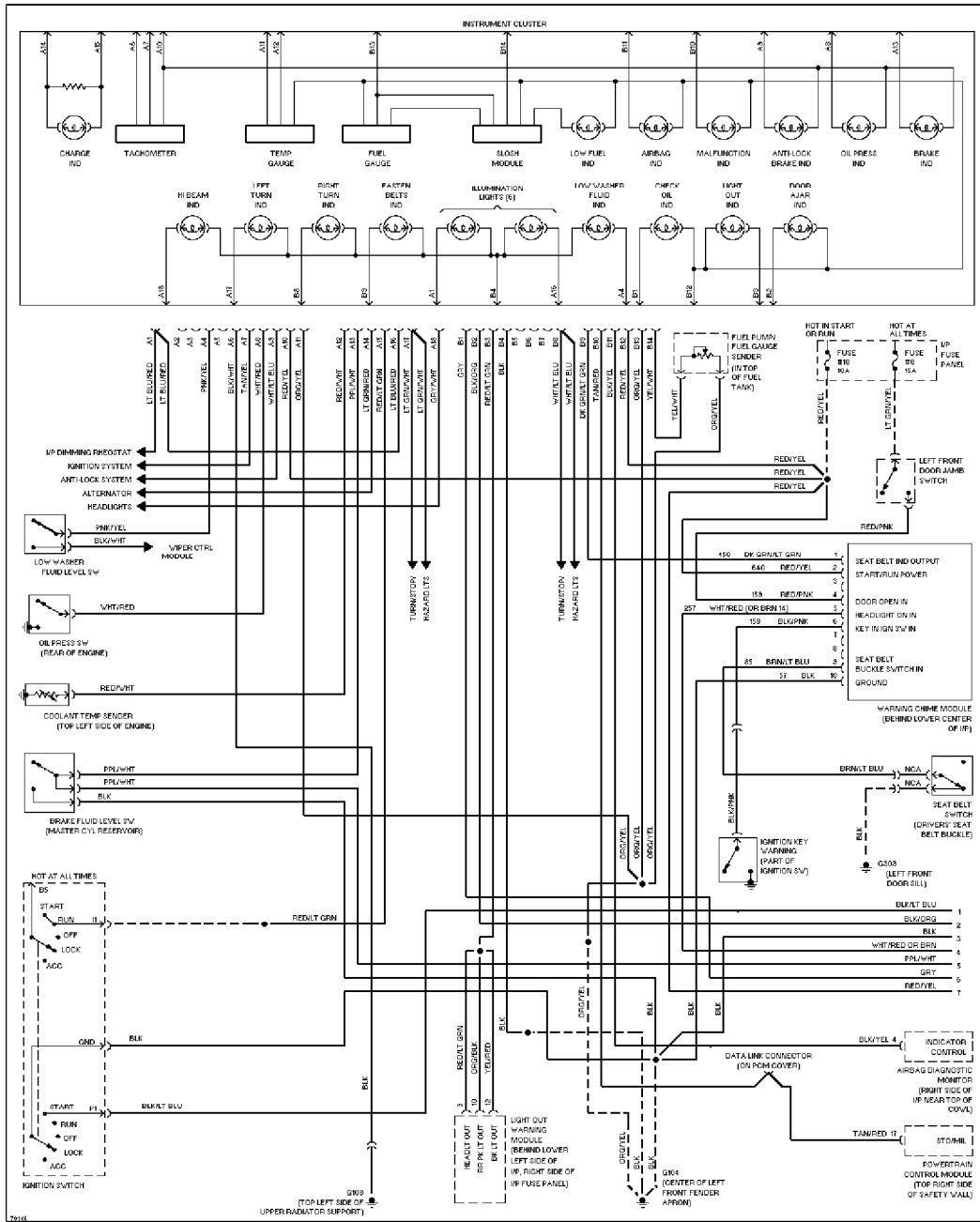
Selected Block (p. 3)

1995 Ford Taurus

For <http://www.mitchell.narod.ru/>

Copyright © 1997 Mitchell International

Friday, March 02, 2001 09:08PM



3.0L, Analog Cluster Circuit (1 of 2)

SYSTEM WIRING DIAGRAMS

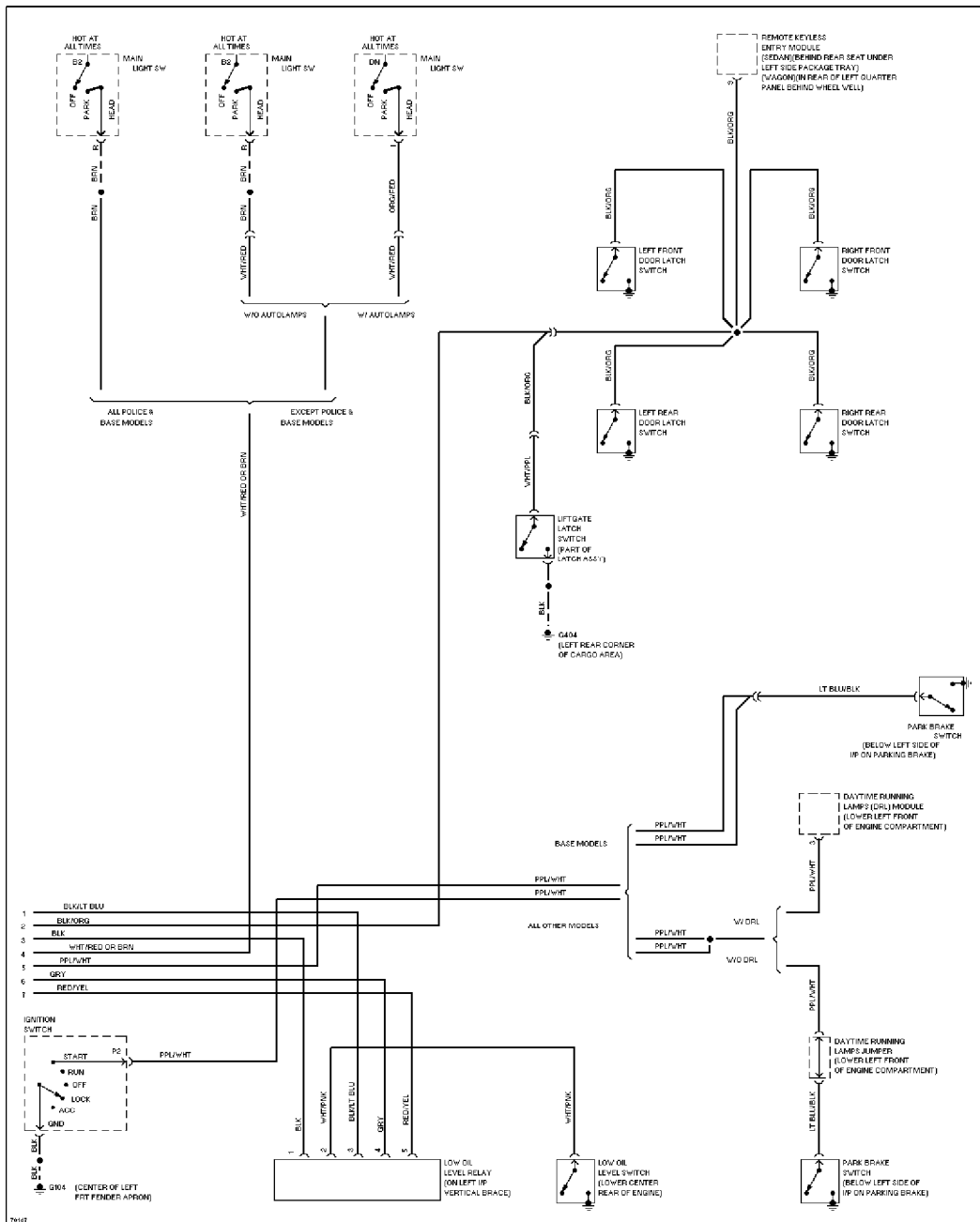
Selected Block (p. 4)

1995 Ford Taurus

For <http://www.mitchell.narod.ru/>

Copyright © 1997 Mitchell International

Friday, March 02, 2001 09:08PM



3.0L, Analog Cluster Circuit (2 of 2)

SYSTEM WIRING DIAGRAMS

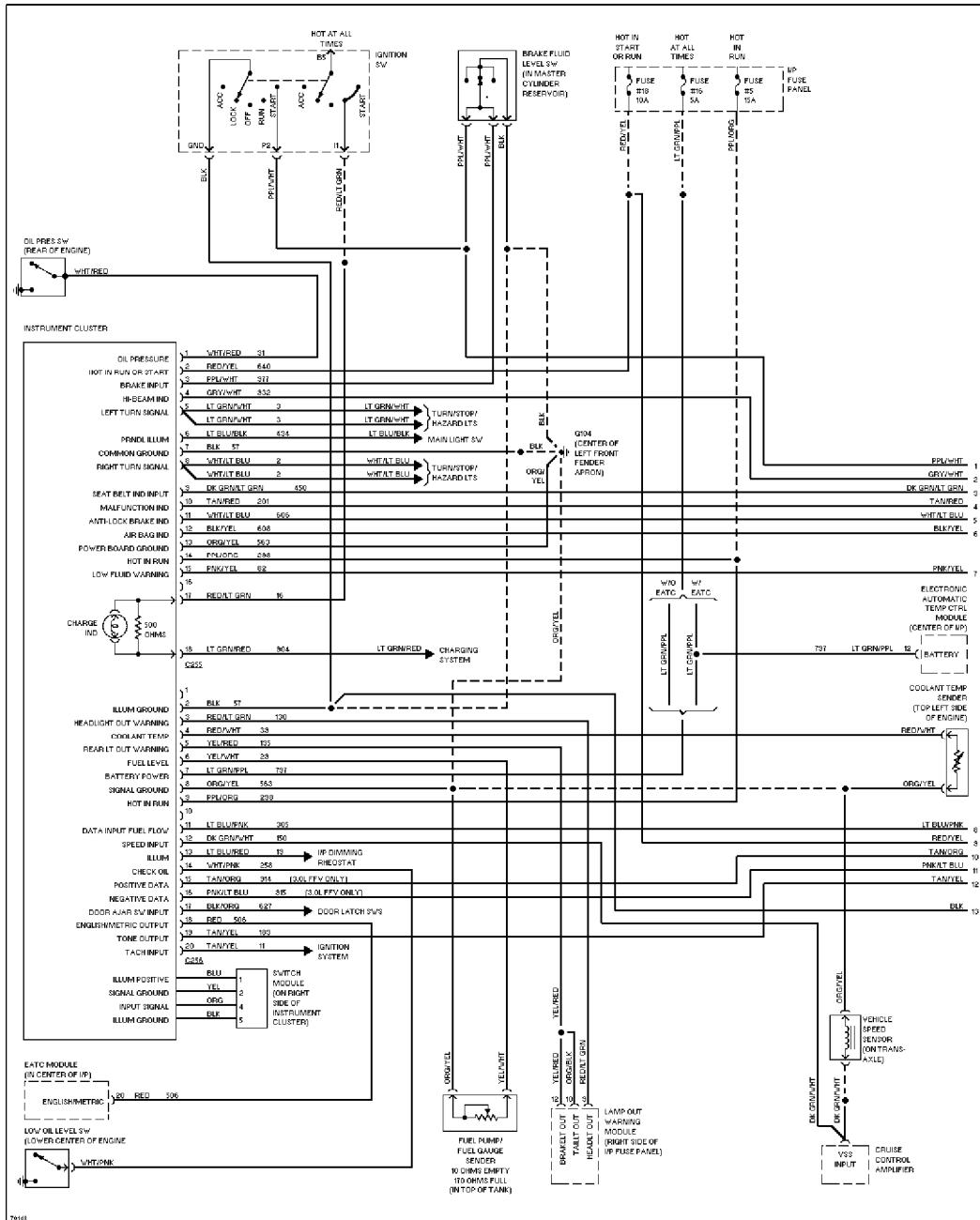
Selected Block (p. 5)

1995 Ford Taurus

For <http://www.mitchell.narod.ru/>

Copyright © 1997 Mitchell International

Friday, March 02, 2001 09:08PM



3.0L, Electronic Cluster Circuit (1 of 2)

SYSTEM WIRING DIAGRAMS

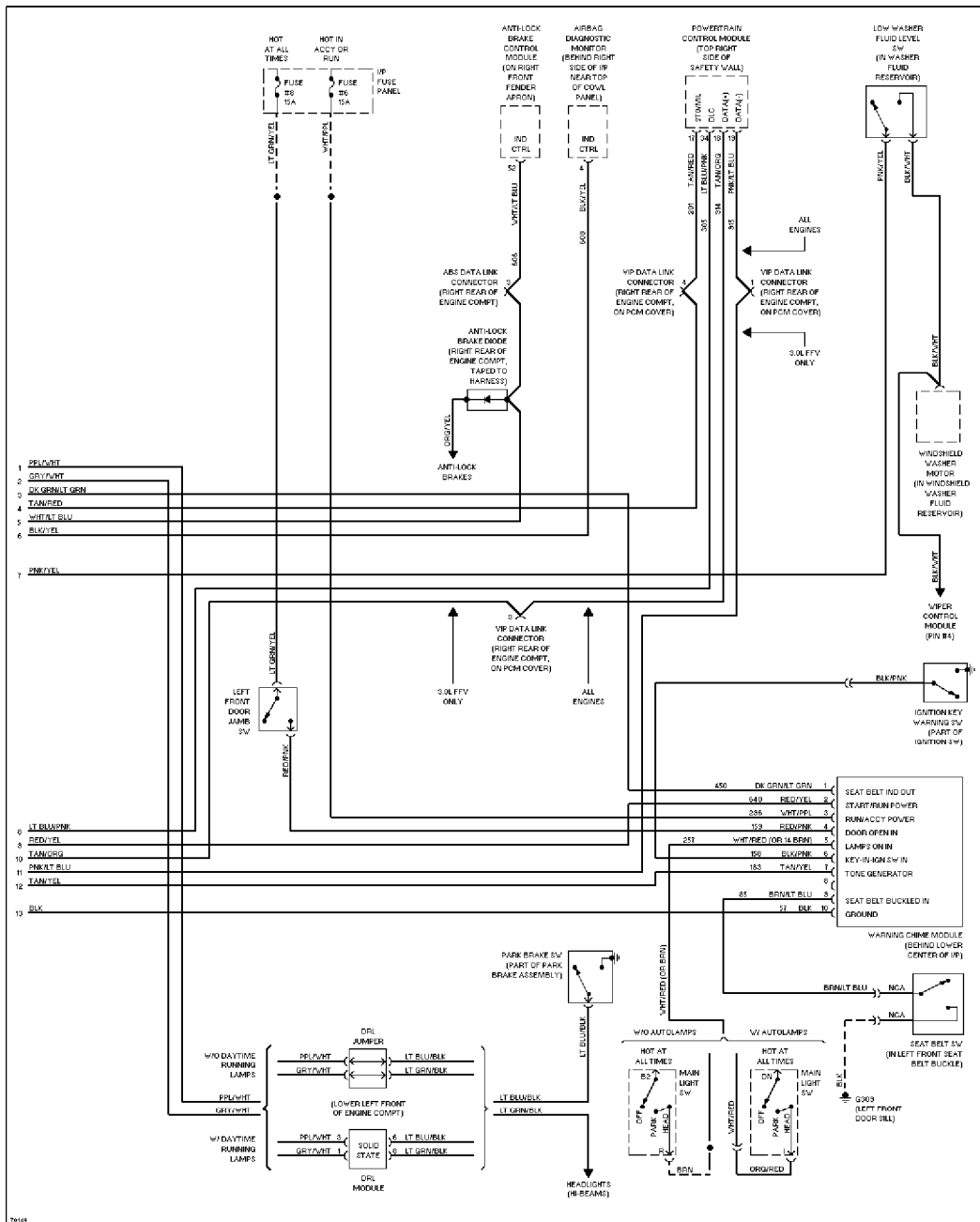
Selected Block (p. 6)

1995 Ford Taurus

For <http://www.mitchell.narod.ru/>

Copyright © 1997 Mitchell International

Friday, March 02, 2001 09:08PM



3.0L, Electronic Cluster Circuit (2 of 2)

SYSTEM WIRING DIAGRAMS

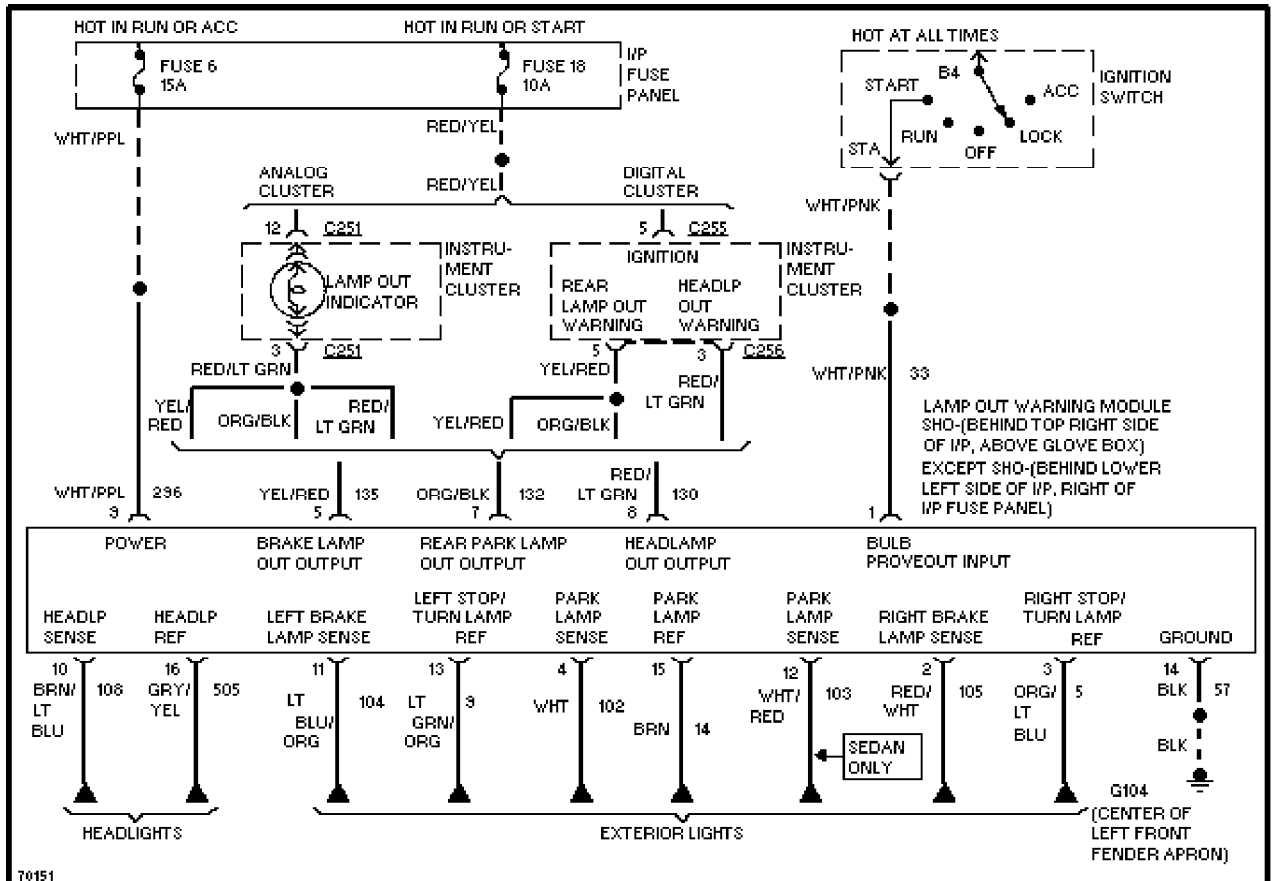
Selected Block (p. 7)

1995 Ford Taurus

For <http://www.mitchell.narod.ru/>

Copyright © 1997 Mitchell International

Friday, March 02, 2001 09:08PM



3.0L, Lamp Monitor Circuit