

SYSTEM WIRING DIAGRAMS

Selected Block

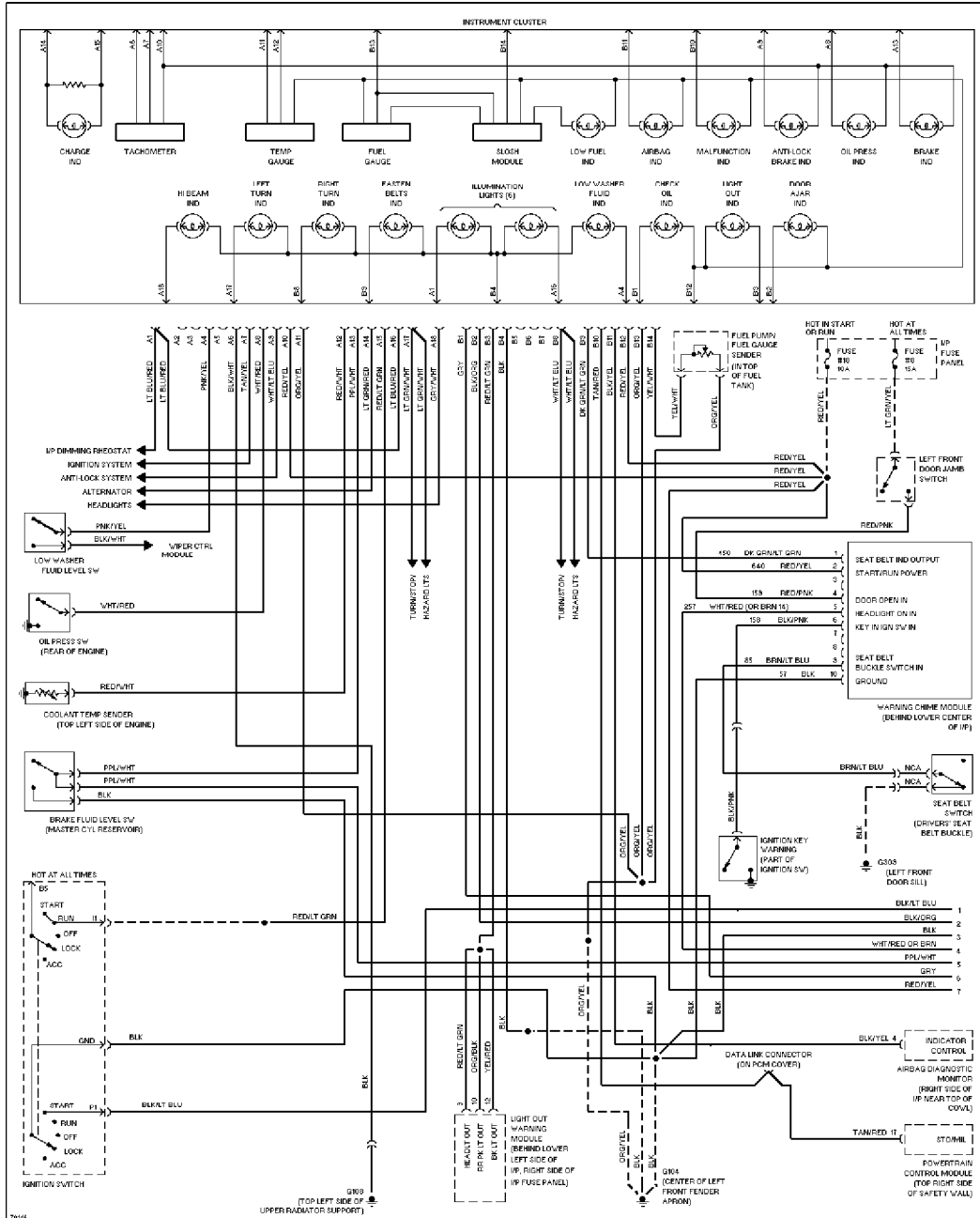
1995 Ford Taurus

For <http://www.mitchell.narod.ru/>

Copyright © 1997 Mitchell International

Friday, March 02, 2001 09:09PM

3.8L



3.8L, Analog Cluster Circuit (1 of 2)

SYSTEM WIRING DIAGRAMS

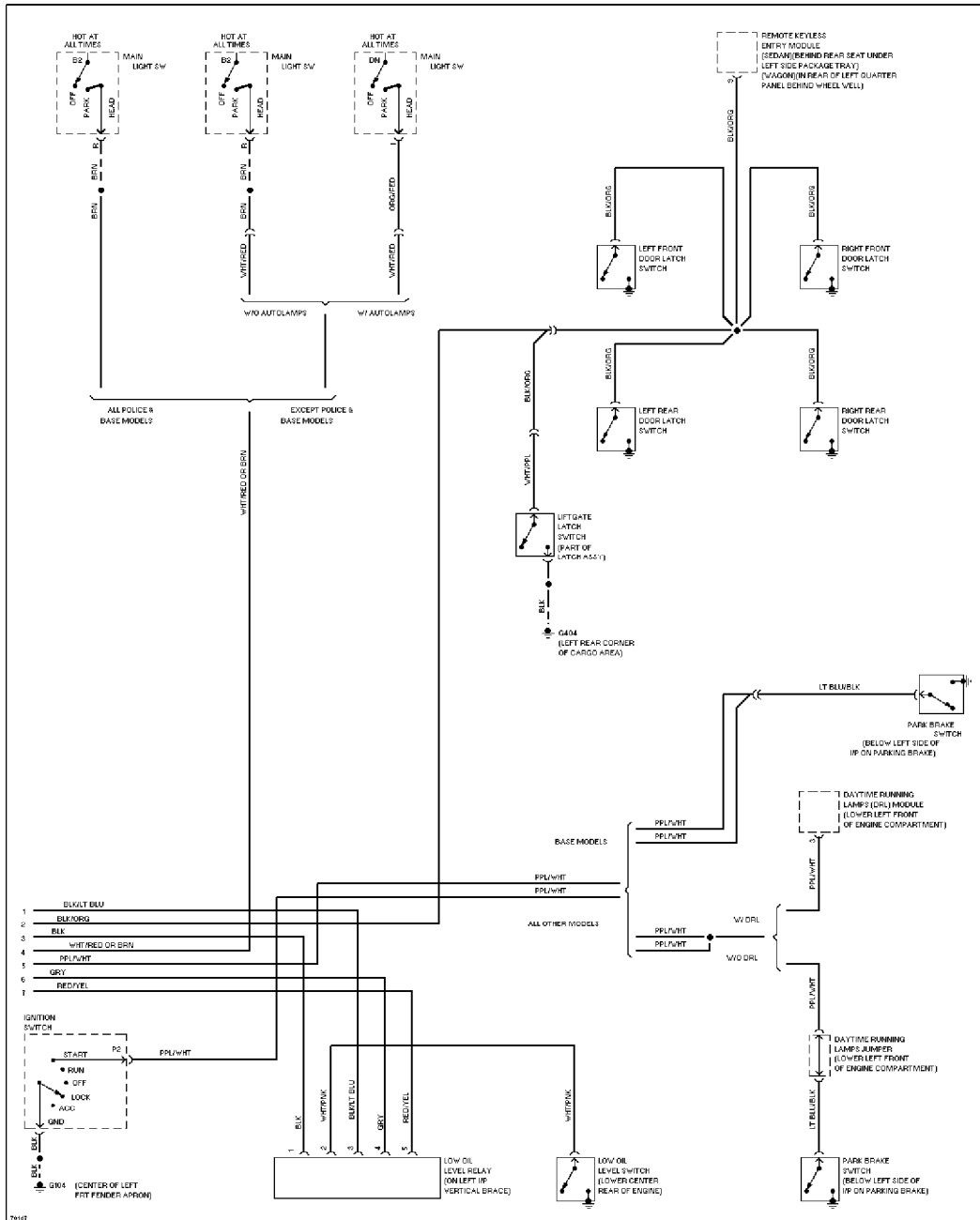
Selected Block (p. 2)

1995 Ford Taurus

For <http://www.mitchell.narod.ru/>

Copyright © 1997 Mitchell International

Friday, March 02, 2001 09:09PM



3.8L, Analog Cluster Circuit (2 of 2)

SYSTEM WIRING DIAGRAMS

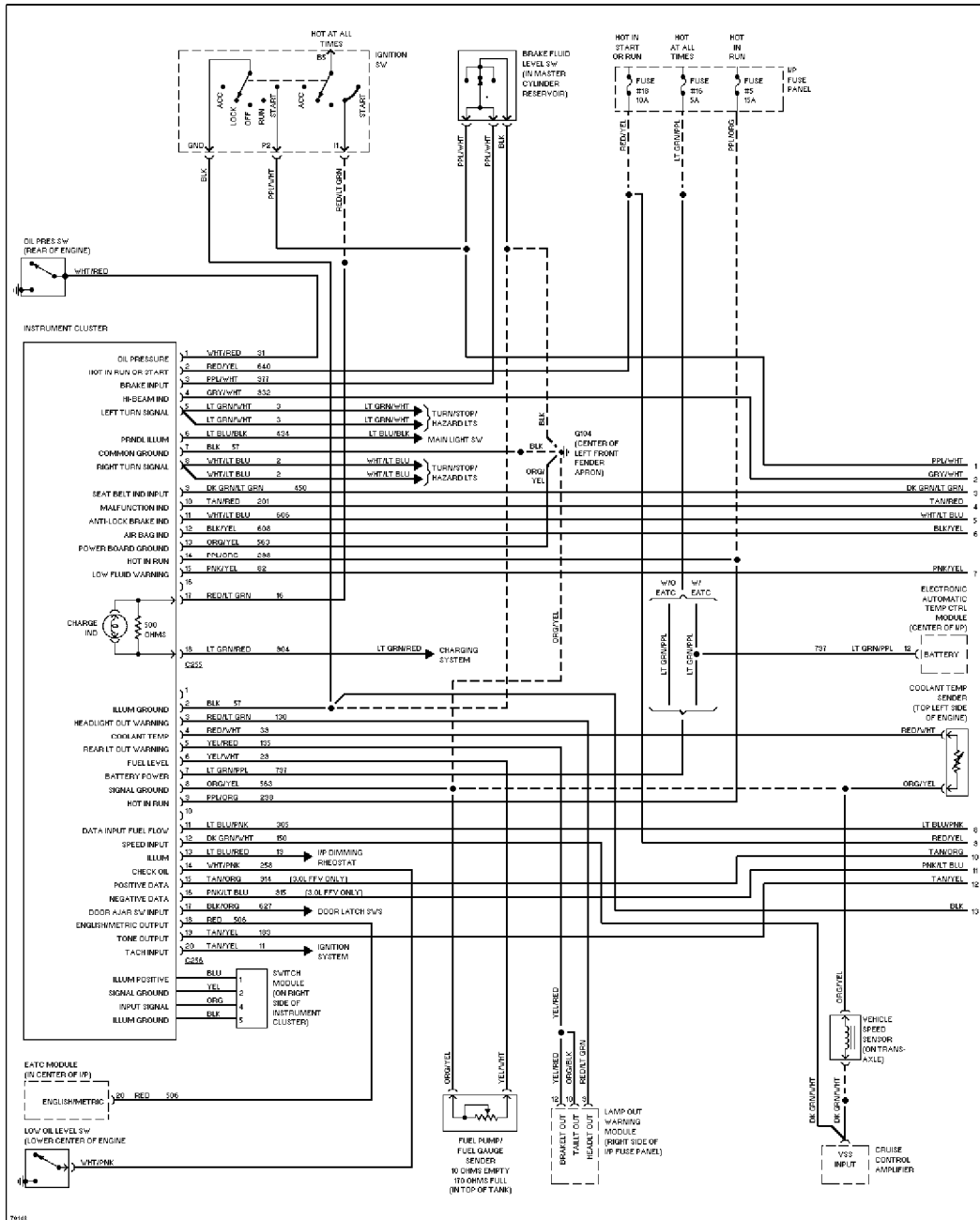
Selected Block (p. 3)

1995 Ford Taurus

For <http://www.mitchell.narod.ru/>

Copyright © 1997 Mitchell International

Friday, March 02, 2001 09:09PM



3.8L, Electronic Cluster Circuit (1 of 2)

SYSTEM WIRING DIAGRAMS

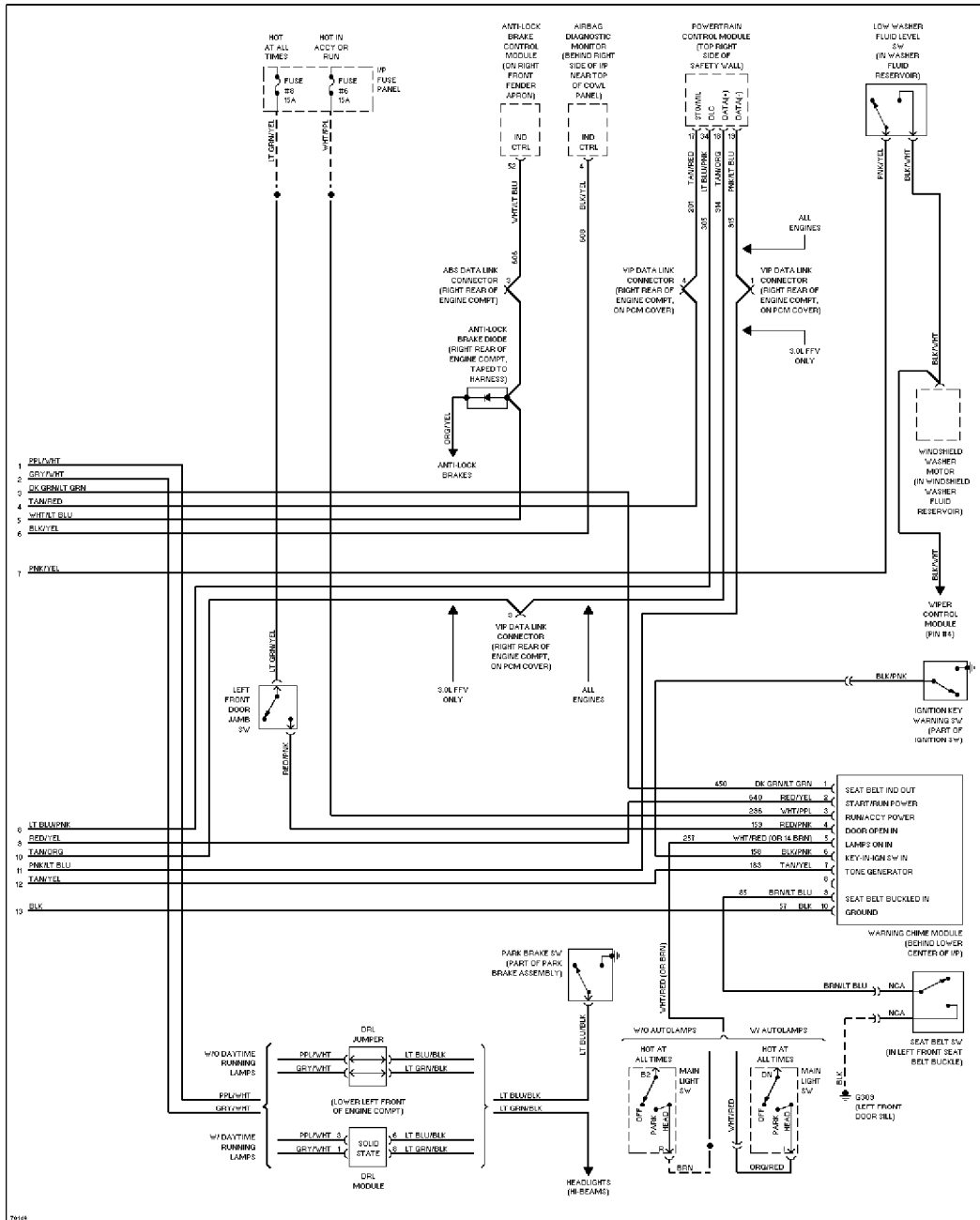
Selected Block (p. 4)

1995 Ford Taurus

For <http://www.mitchell.narod.ru/>

Copyright © 1997 Mitchell International

Friday, March 02, 2001 09:09PM



3.8L, Electronic Cluster Circuit (2 of 2)

SYSTEM WIRING DIAGRAMS

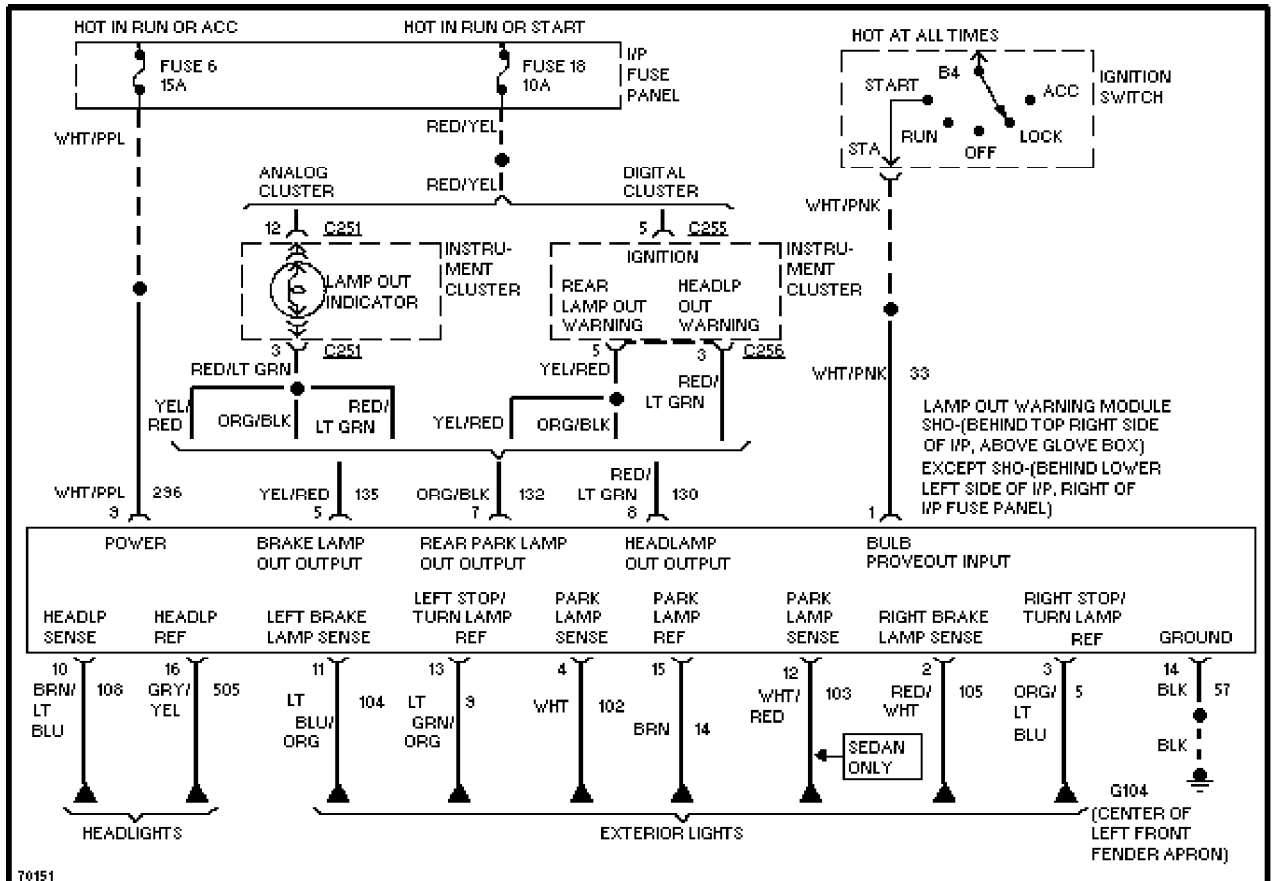
Selected Block (p. 5)

1995 Ford Taurus

For <http://www.mitchell.narod.ru/>

Copyright © 1997 Mitchell International

Friday, March 02, 2001 09:09PM



3.8L, Lamp Monitor Circuit