

# SYSTEM WIRING DIAGRAMS

## Selected Block

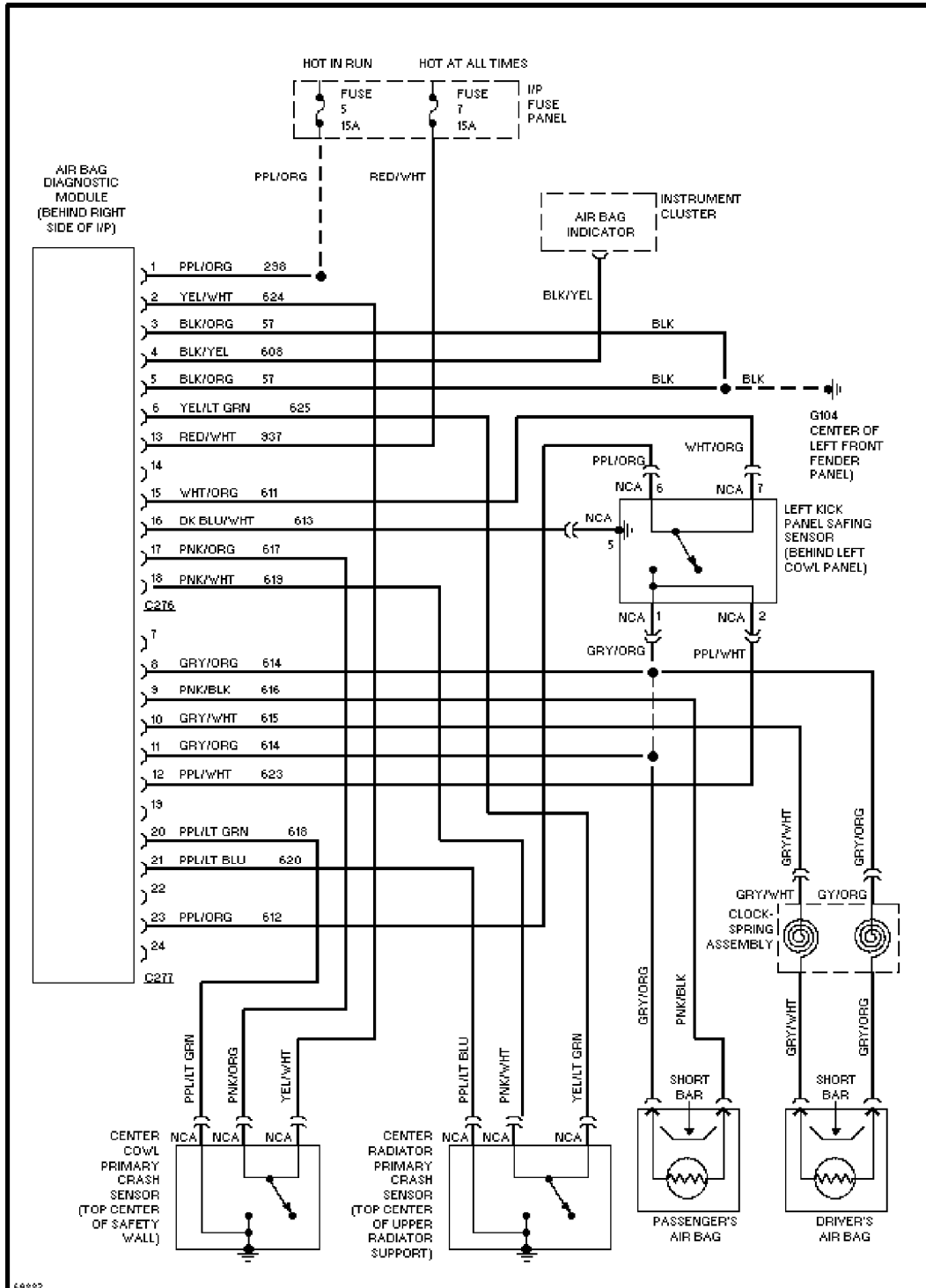
1995 Ford Taurus

For <http://www.mitchell.narod.ru/>

Copyright © 1997 Mitchell International

Friday, March 02, 2001 09:10PM

### SUPPLEMENTAL RESTRAINTS



Supplemental Restraint Circuit

# SYSTEM WIRING DIAGRAMS

## Selected Block (p. 2)

1995 Ford Taurus

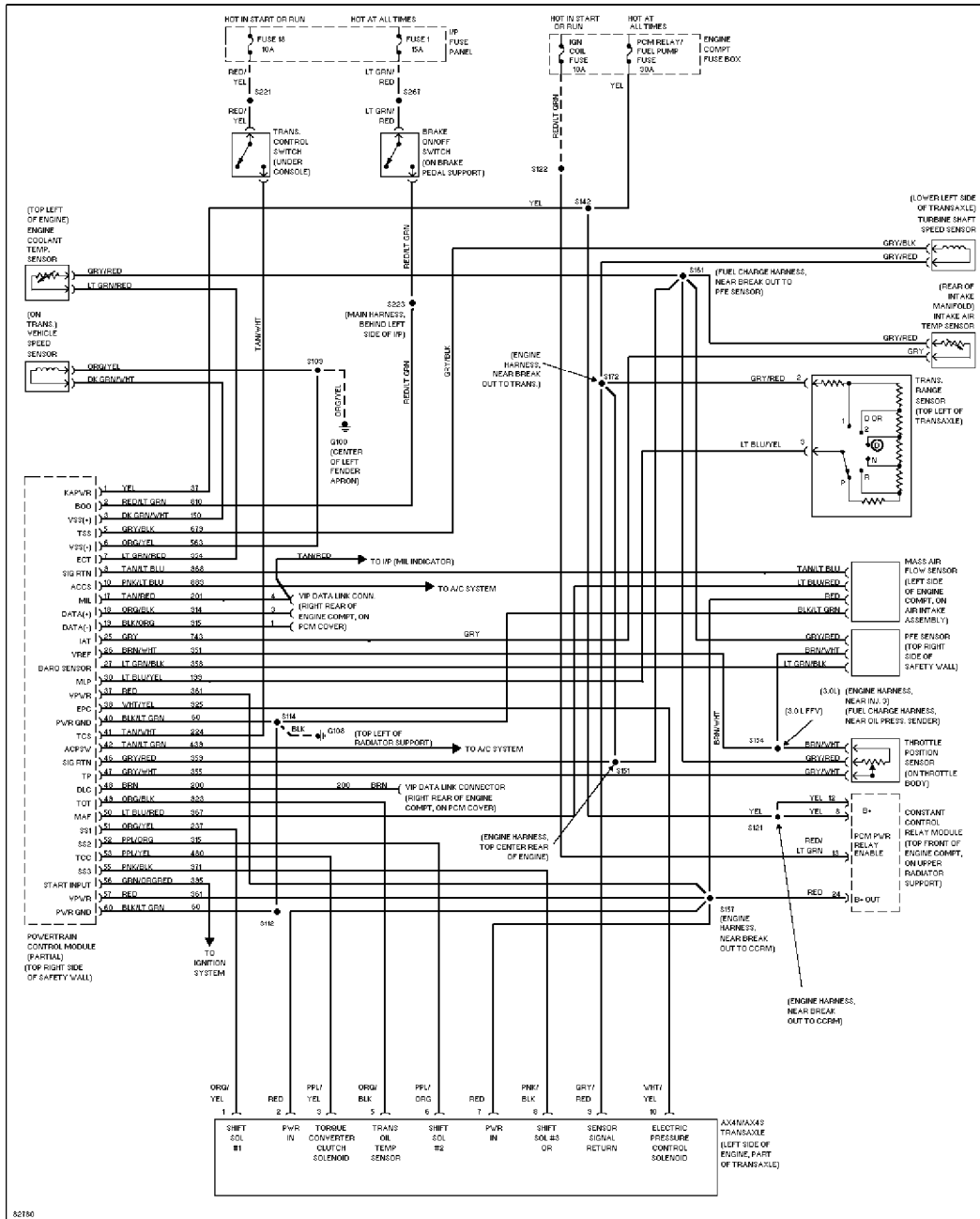
For <http://www.mitchell.narod.ru/>

Copyright © 1997 Mitchell International

Friday, March 02, 2001 09:10PM

### TRANSMISSION

3.0L



3.0L Flex Fuel, Transmission Circuit

# SYSTEM WIRING DIAGRAMS

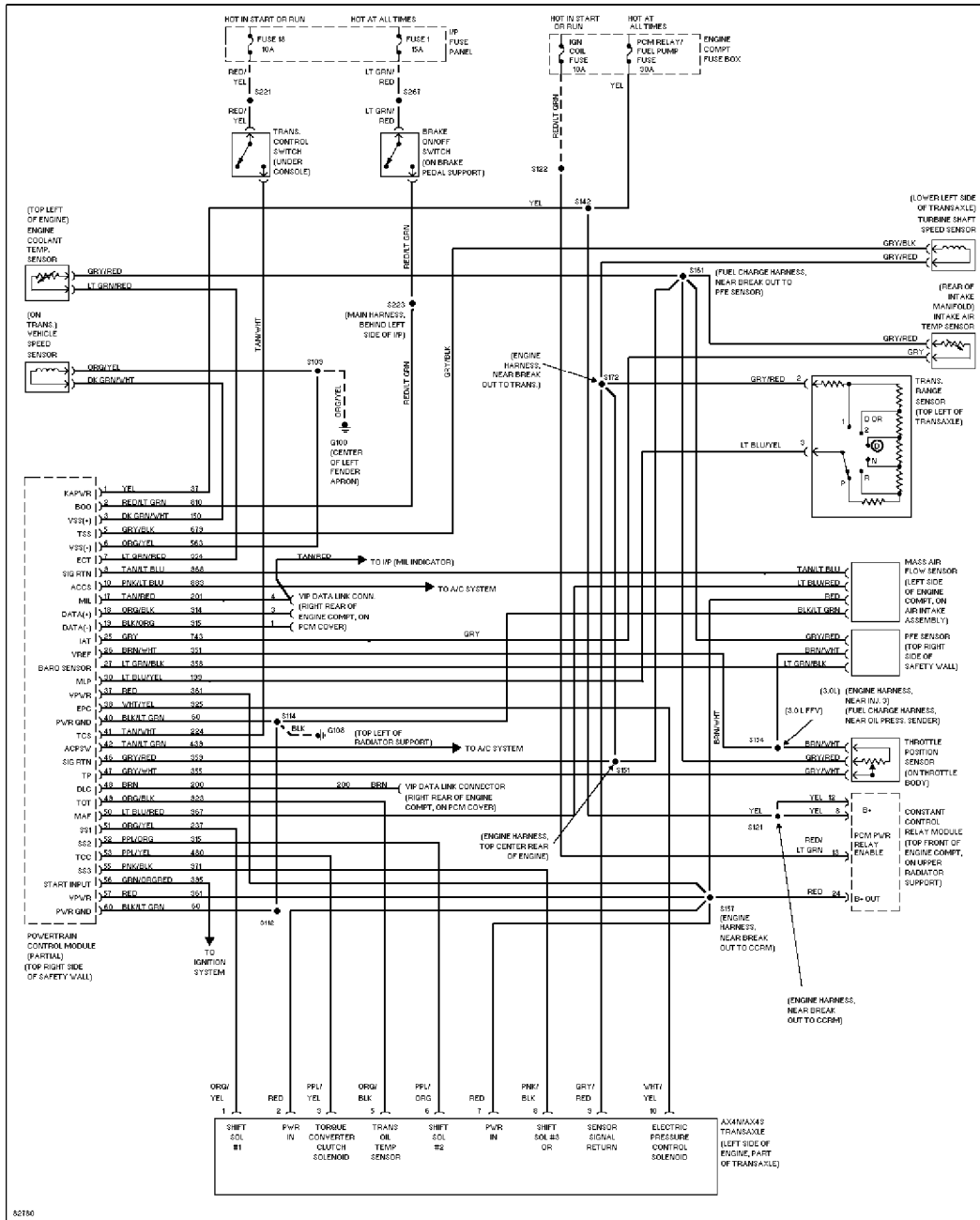
## Selected Block (p. 3)

1995 Ford Taurus

For <http://www.mitchell.narod.ru/>

Copyright © 1997 Mitchell International

Friday, March 02, 2001 09:10PM



3.0L, Transmission Circuit

3.2L

# SYSTEM WIRING DIAGRAMS

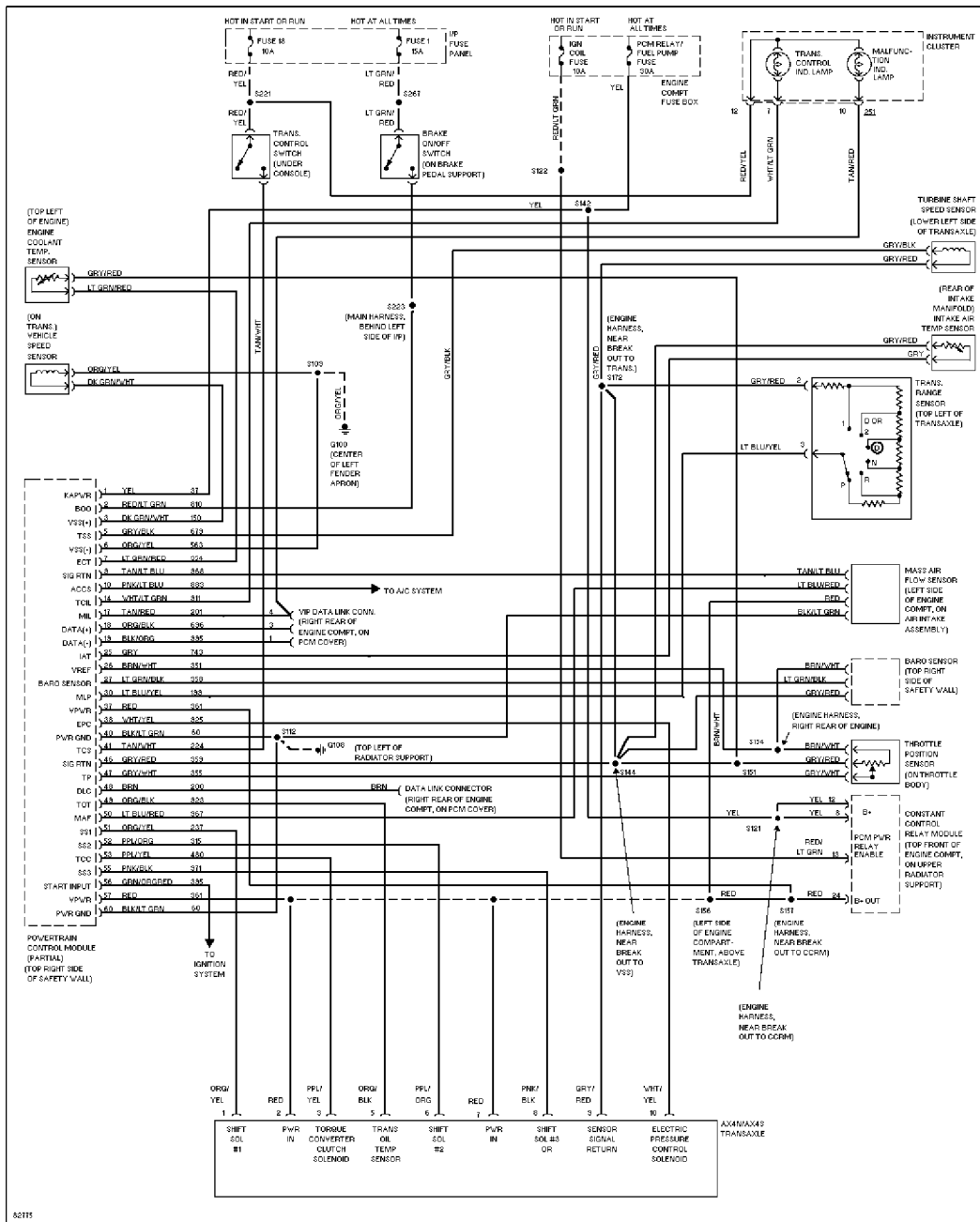
## Selected Block (p. 4)

1995 Ford Taurus

For <http://www.mitchell.narod.ru/>

Copyright © 1997 Mitchell International

Friday, March 02, 2001 09:10PM



3.2L SHO, Transmission Circuit

3.8L

# SYSTEM WIRING DIAGRAMS

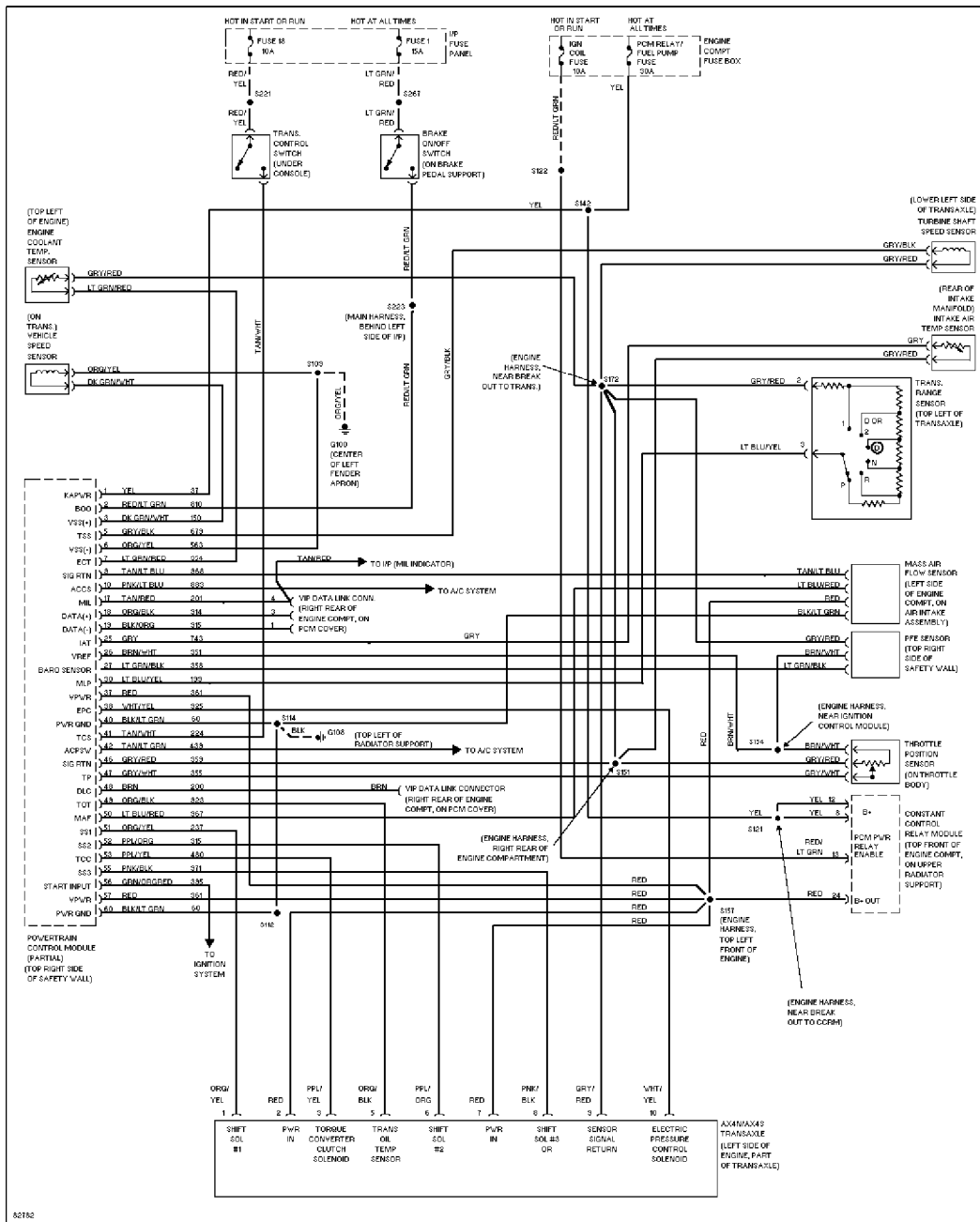
## Selected Block (p. 5)

1995 Ford Taurus

For <http://www.mitchell.narod.ru/>

Copyright © 1997 Mitchell International

Friday, March 02, 2001 09:10PM



3.8L, Transmission Circuit