

SYSTEM WIRING DIAGRAMS

Selected Block

1996 Ford Taurus

For <http://www.mitchell.narod.ru/>

Copyright © 1997 Mitchell International

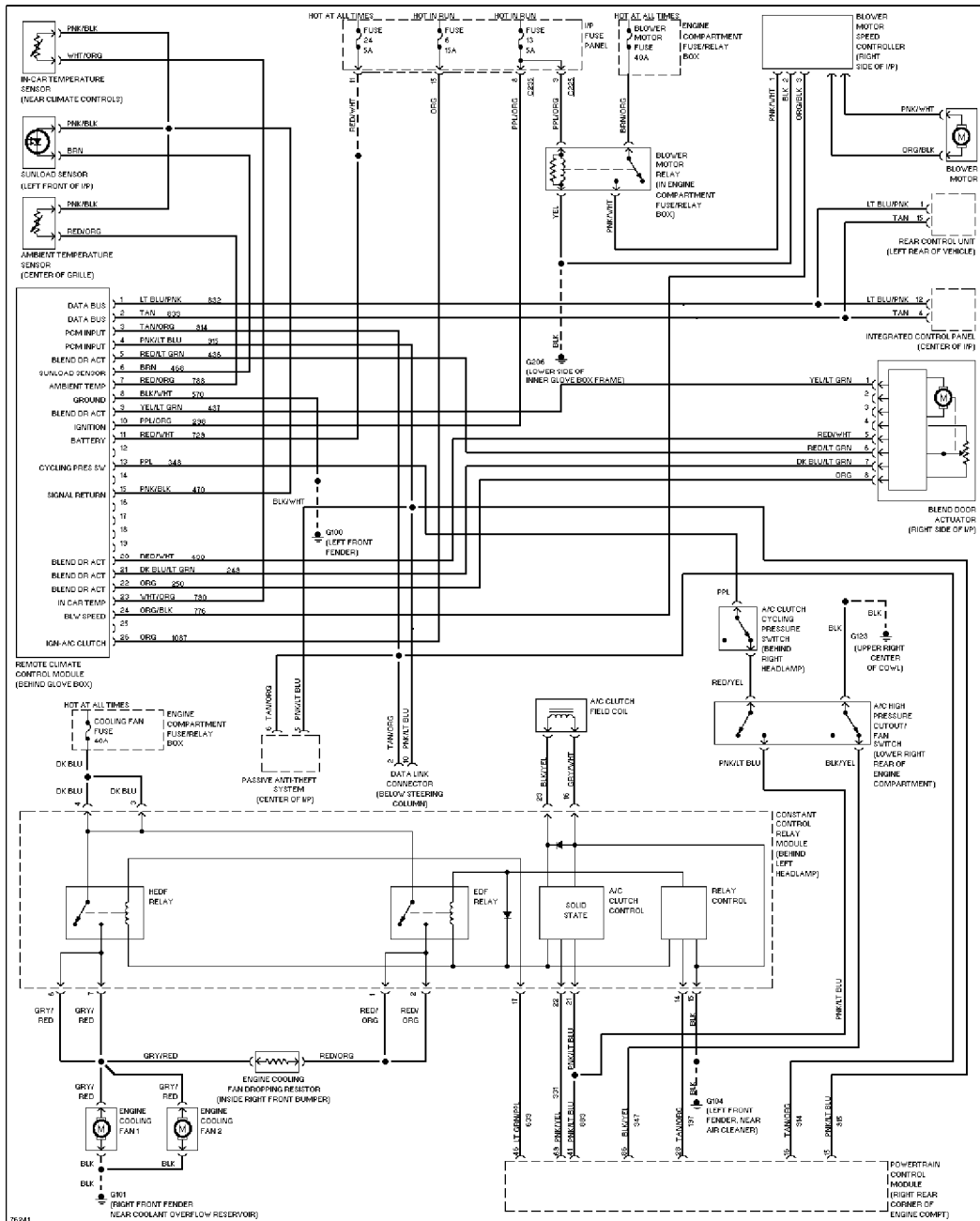
Friday, March 02, 2001 09:11PM

ARTICLE BEGINNING

1996 System Wiring Diagrams

Ford - Taurus

AIR CONDITIONING



A/C Circuit, Auto A/C

SYSTEM WIRING DIAGRAMS

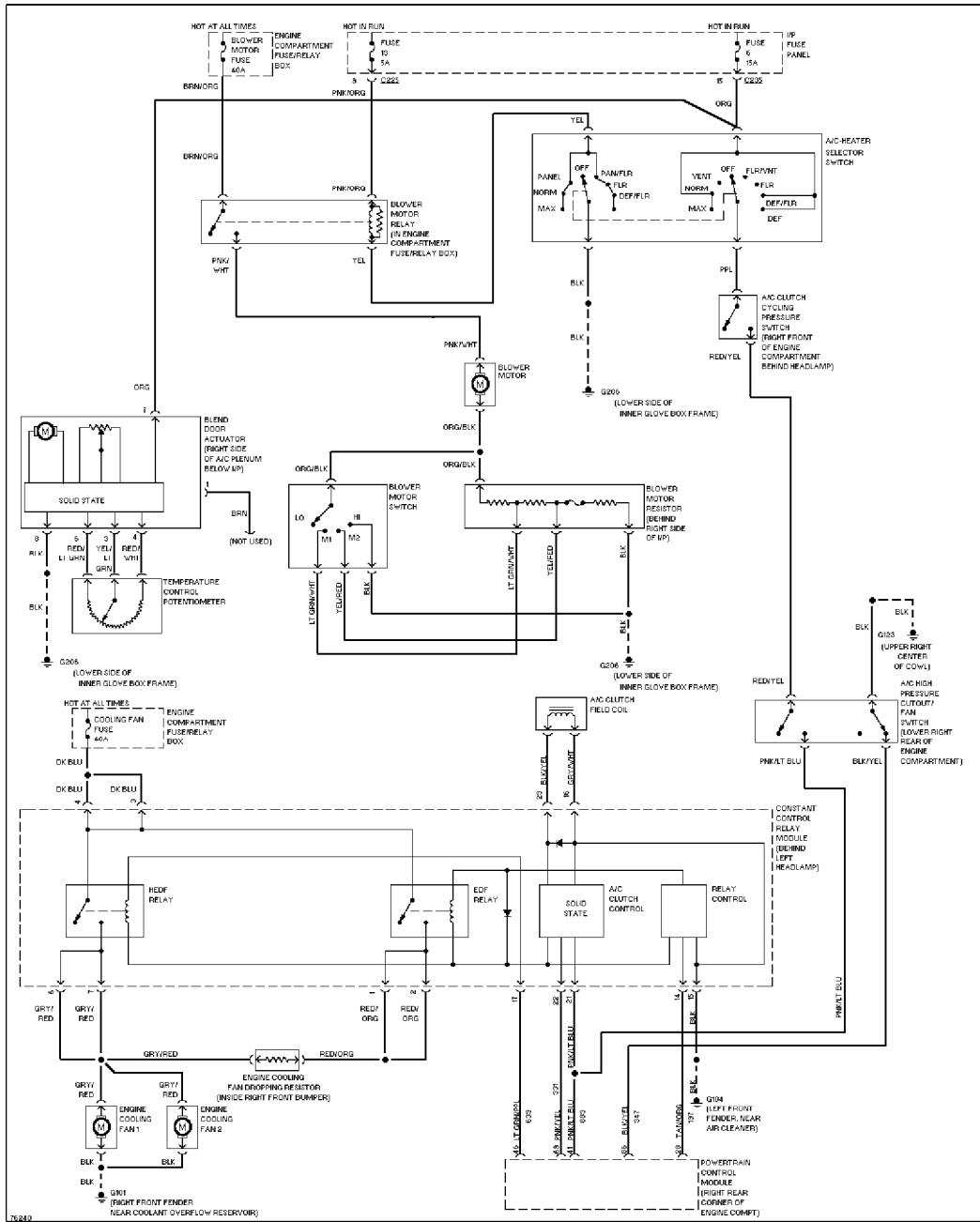
Selected Block (p. 2)

1996 Ford Taurus

For <http://www.mitchell.narod.ru/>

Copyright © 1997 Mitchell International

Friday, March 02, 2001 09:11PM



A/C Circuit, Manual A/C

ANTI-LOCK BRAKES

SYSTEM WIRING DIAGRAMS

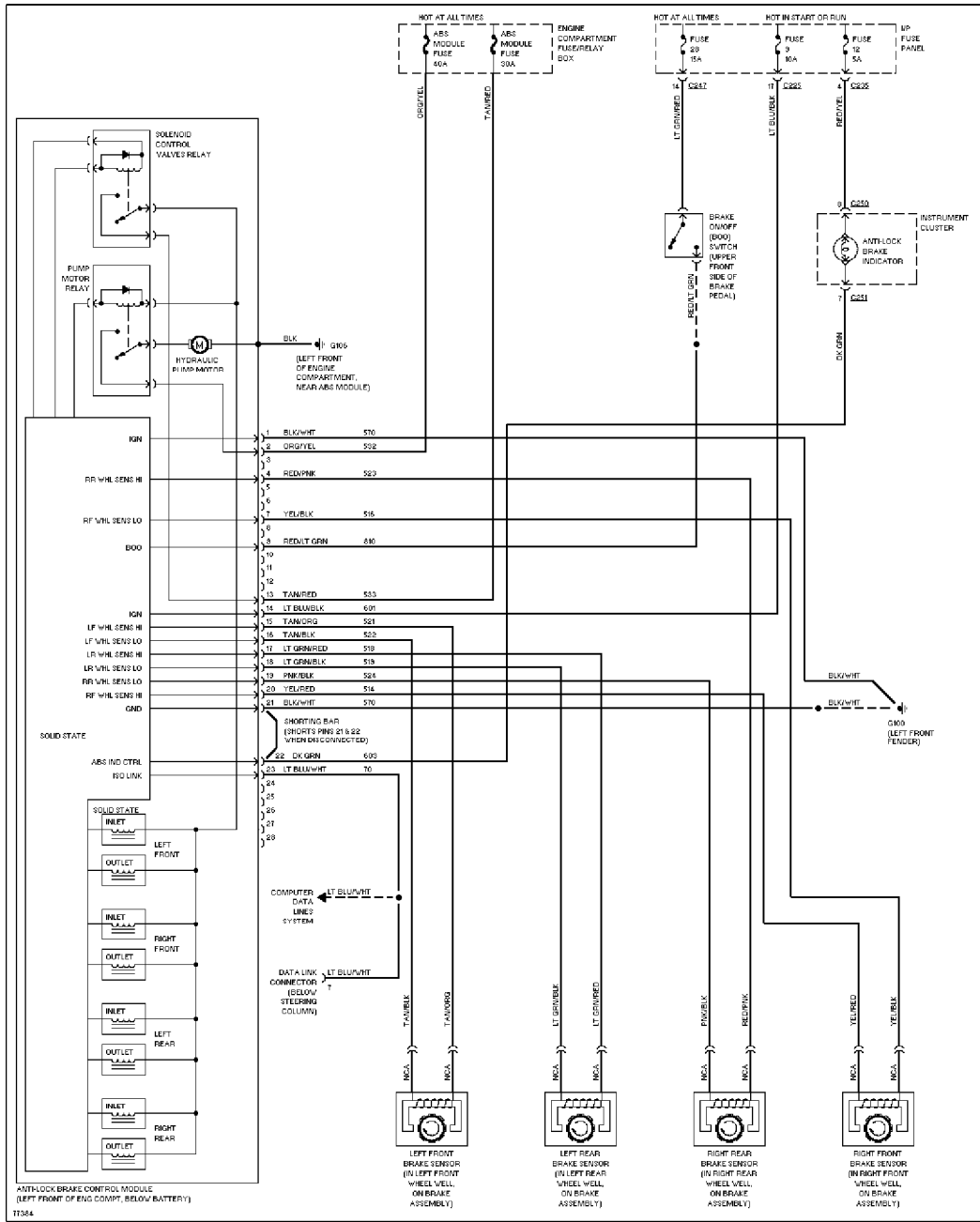
Selected Block (p. 3)

1996 Ford Taurus

For <http://www.mitchell.narod.ru/>

Copyright © 1997 Mitchell International

Friday, March 02, 2001 09:11PM



Anti-lock Brake Circuits

ANTI-THEFT

SYSTEM WIRING DIAGRAMS

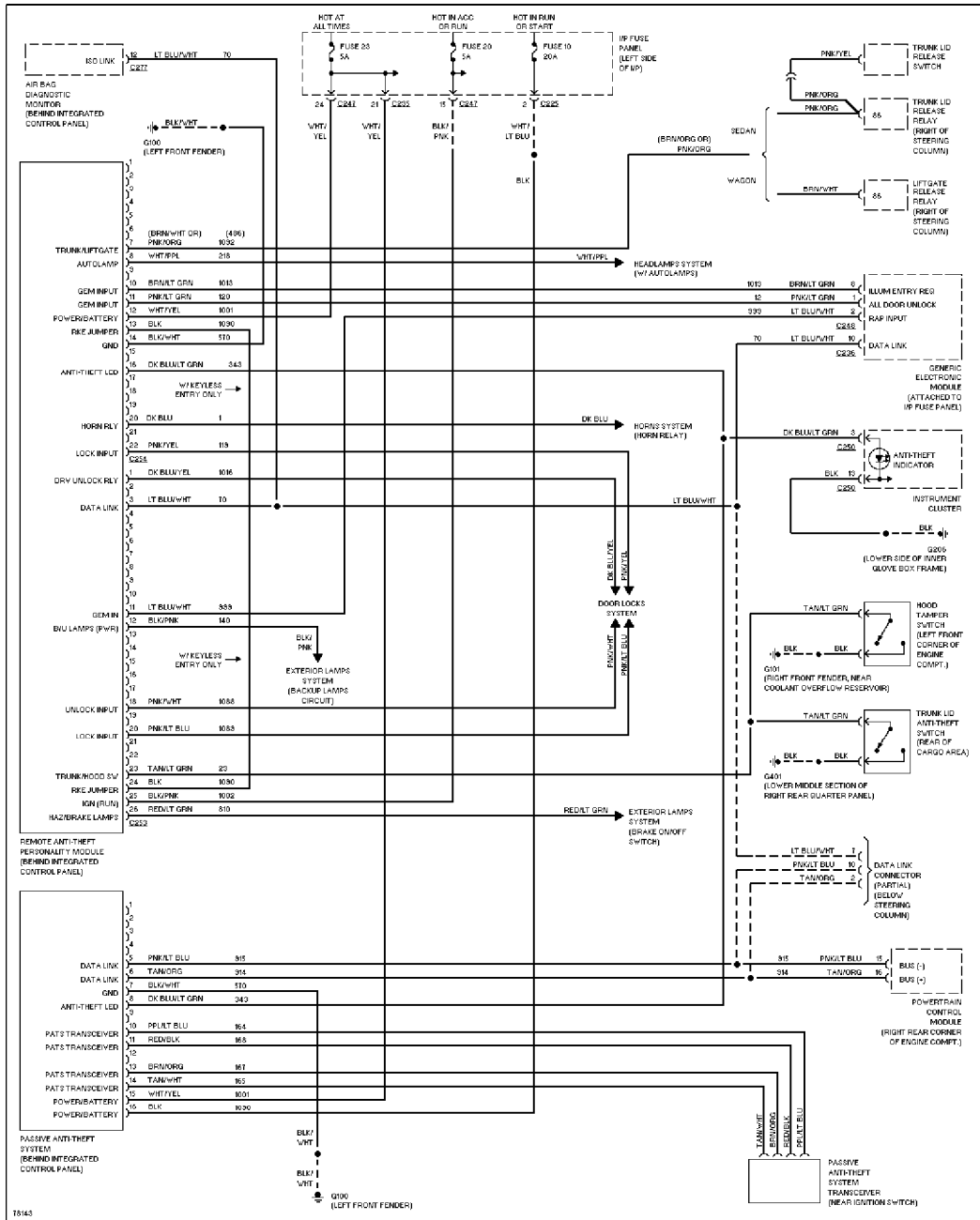
Selected Block (p. 4)

1996 Ford Taurus

For <http://www.mitchell.narod.ru/>

Copyright © 1997 Mitchell International

Friday, March 02, 2001 09:11PM



Anti-theft Circuit