

SYSTEM WIRING DIAGRAMS

Selected Block

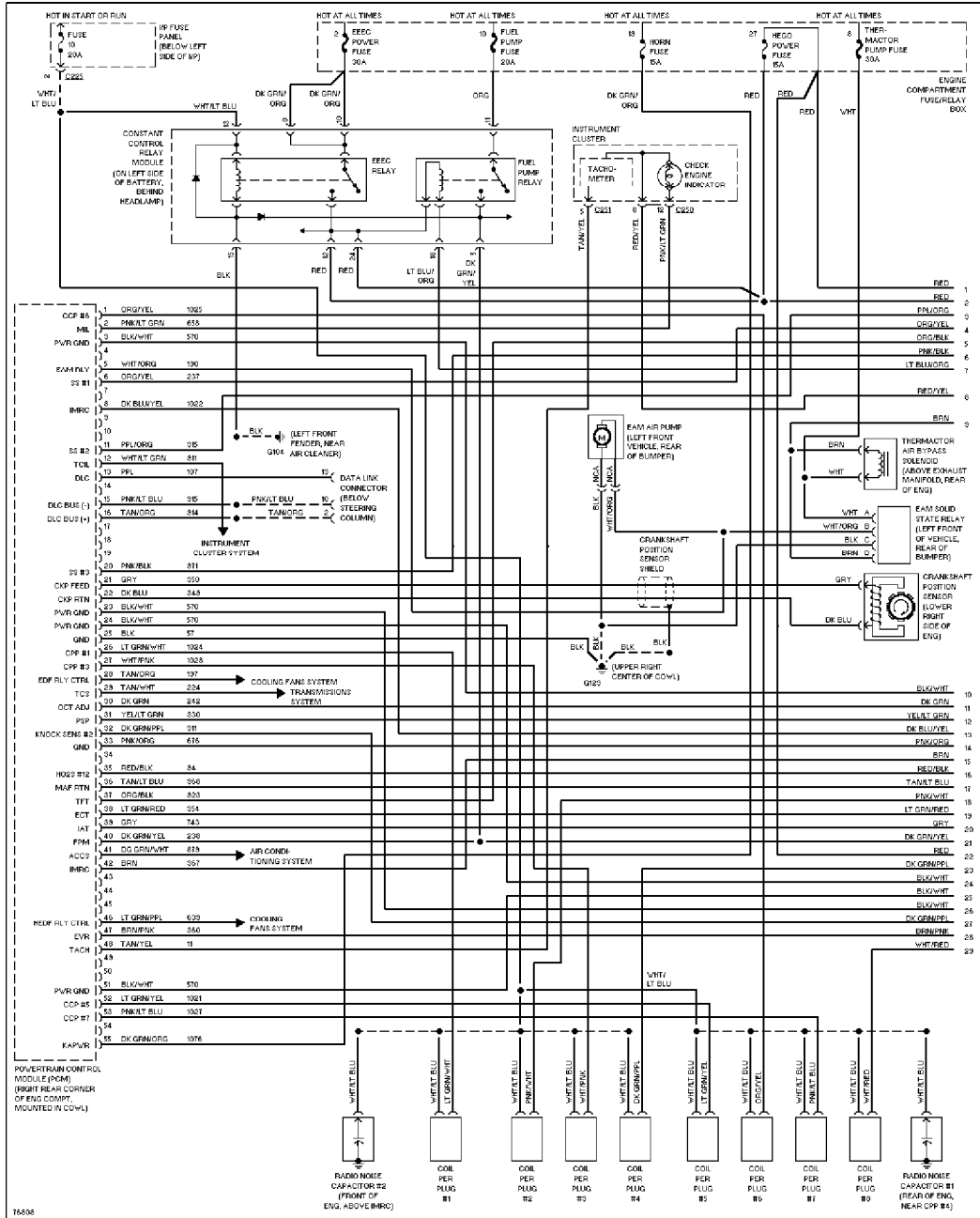
1996 Ford Taurus

For <http://www.mitchell.narod.ru/>

Copyright © 1997 Mitchell International

Friday, March 02, 2001 09:12PM

3.4L



3.4L SHO, Engine Performance Circuits (1 of 3)

SYSTEM WIRING DIAGRAMS

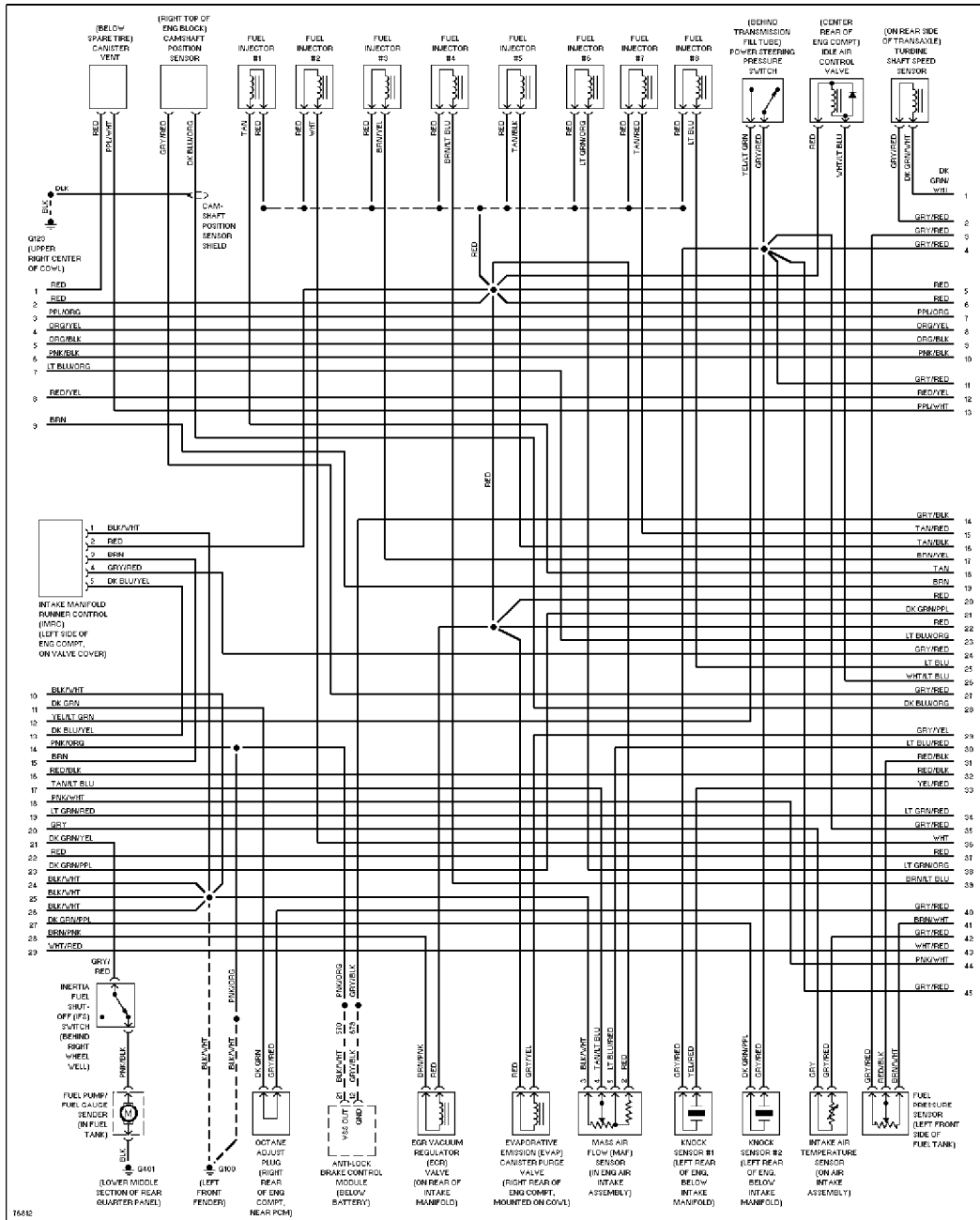
Selected Block (p. 2)

1996 Ford Taurus

For <http://www.mitchell.narod.ru/>

Copyright © 1997 Mitchell International

Friday, March 02, 2001 09:12PM



3.4L SHO, Engine Performance Circuits (2 of 3)

SYSTEM WIRING DIAGRAMS

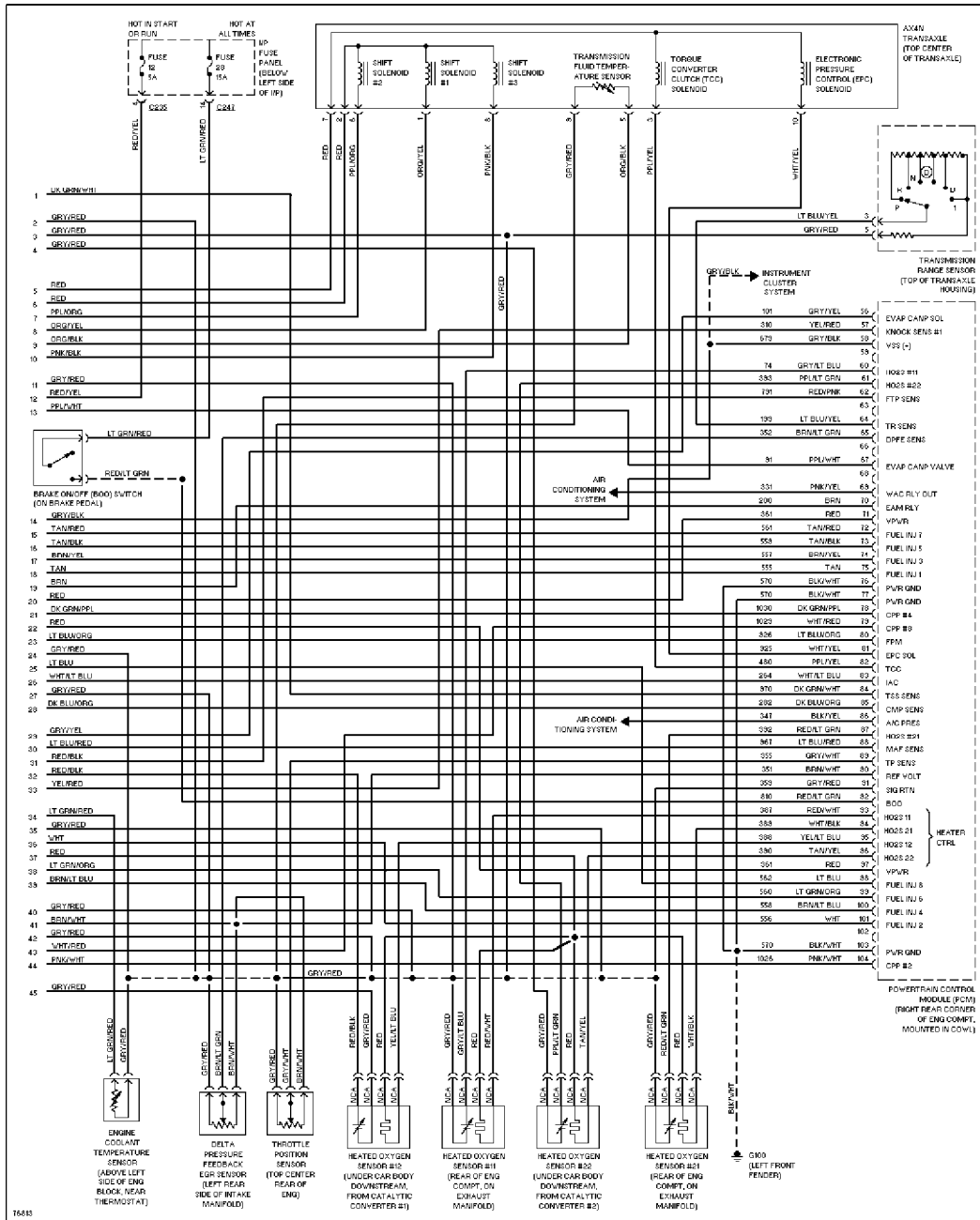
Selected Block (p. 3)

1996 Ford Taurus

For <http://www.mitchell.narod.ru/>

Copyright © 1997 Mitchell International

Friday, March 02, 2001 09:12PM



3.4L SHO, Engine Performance Circuits (3 of 3)