

SYSTEM WIRING DIAGRAMS

Selected Block

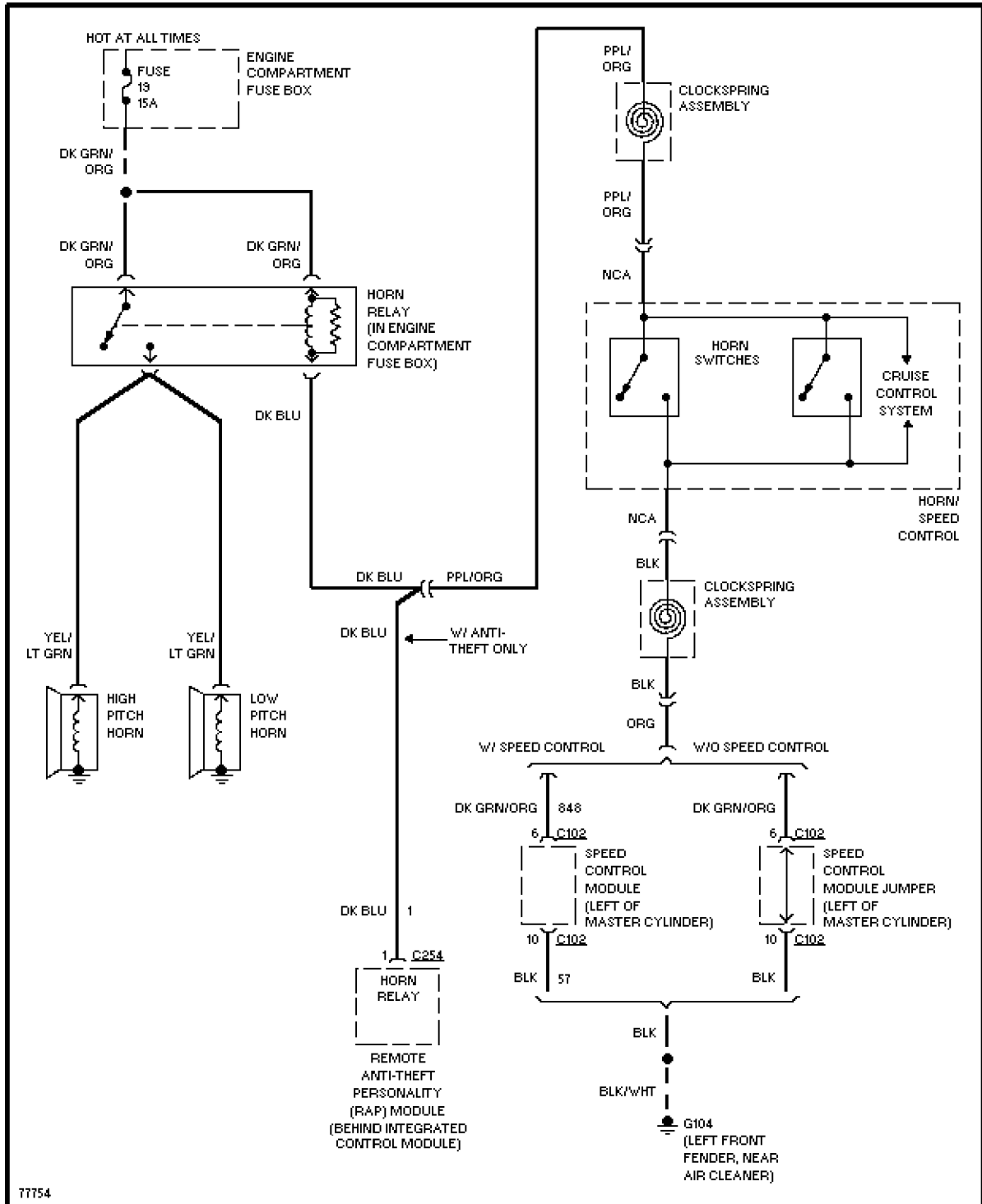
1996 Ford Taurus

For <http://www.mitchell.narod.ru/>

Copyright © 1997 Mitchell International

Friday, March 02, 2001 09:13PM

HORN



Horn Circuit

SYSTEM WIRING DIAGRAMS

Selected Block (p. 2)

1996 Ford Taurus

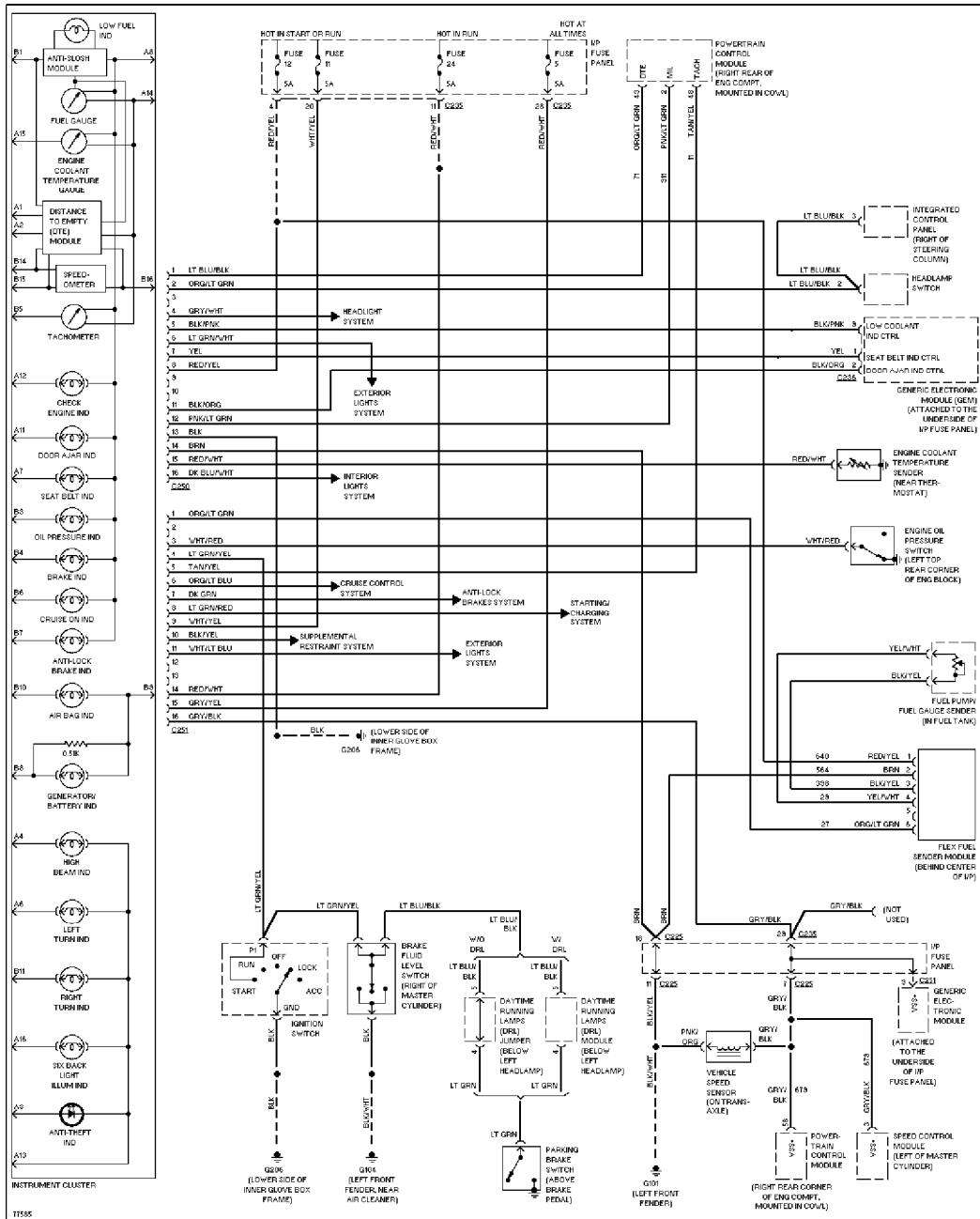
For <http://www.mitchell.narod.ru/>

Copyright © 1997 Mitchell International

Friday, March 02, 2001 09:13PM

INSTRUMENT CLUSTER

3.0L



3.0L Flex Fuel, Instrument Cluster Circuit

SYSTEM WIRING DIAGRAMS

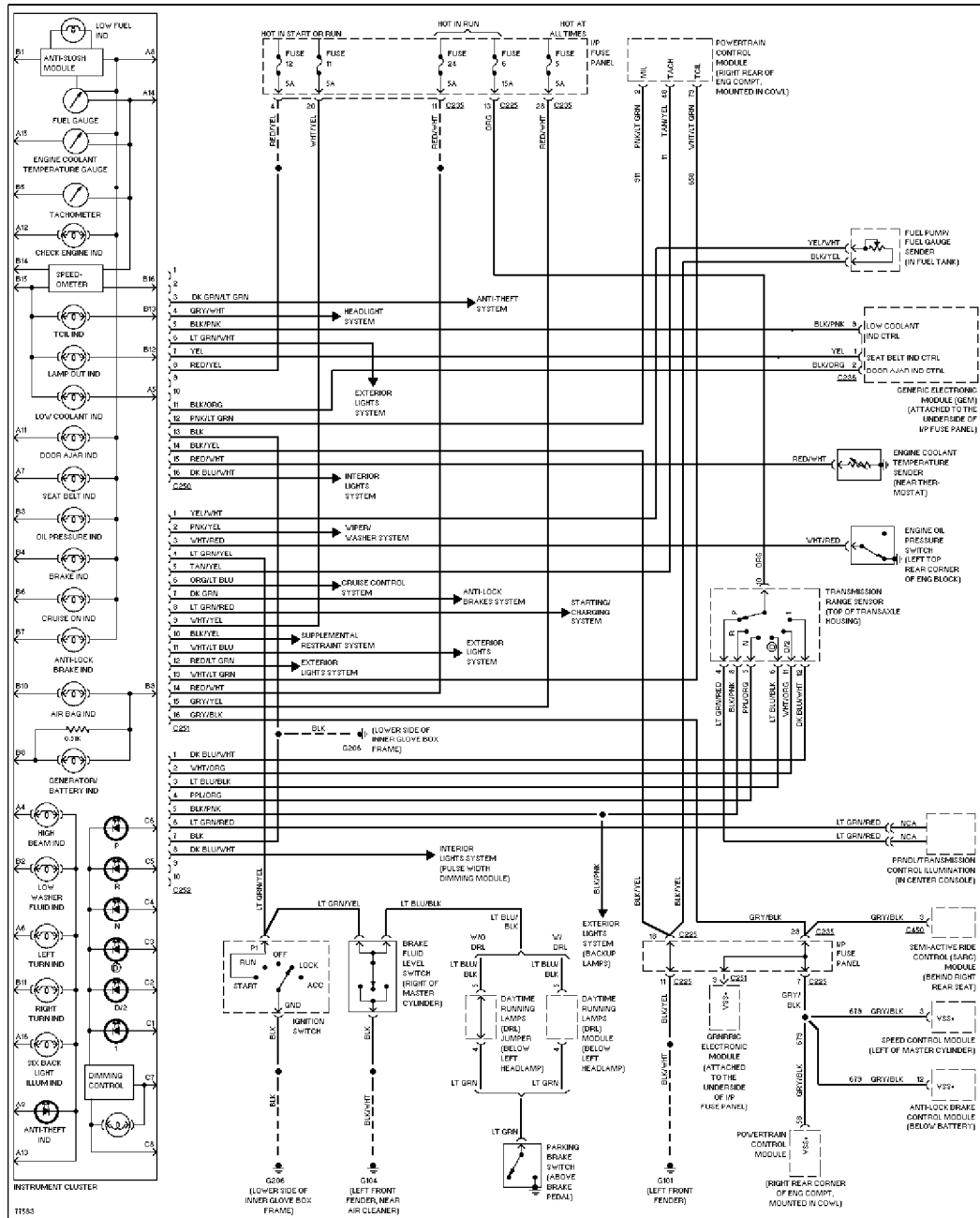
Selected Block (p. 3)

1996 Ford Taurus

For <http://www.mitchell.narod.ru/>

Copyright © 1997 Mitchell International

Friday, March 02, 2001 09:13PM



3.0L, Instrument Cluster Circuit

SYSTEM WIRING DIAGRAMS

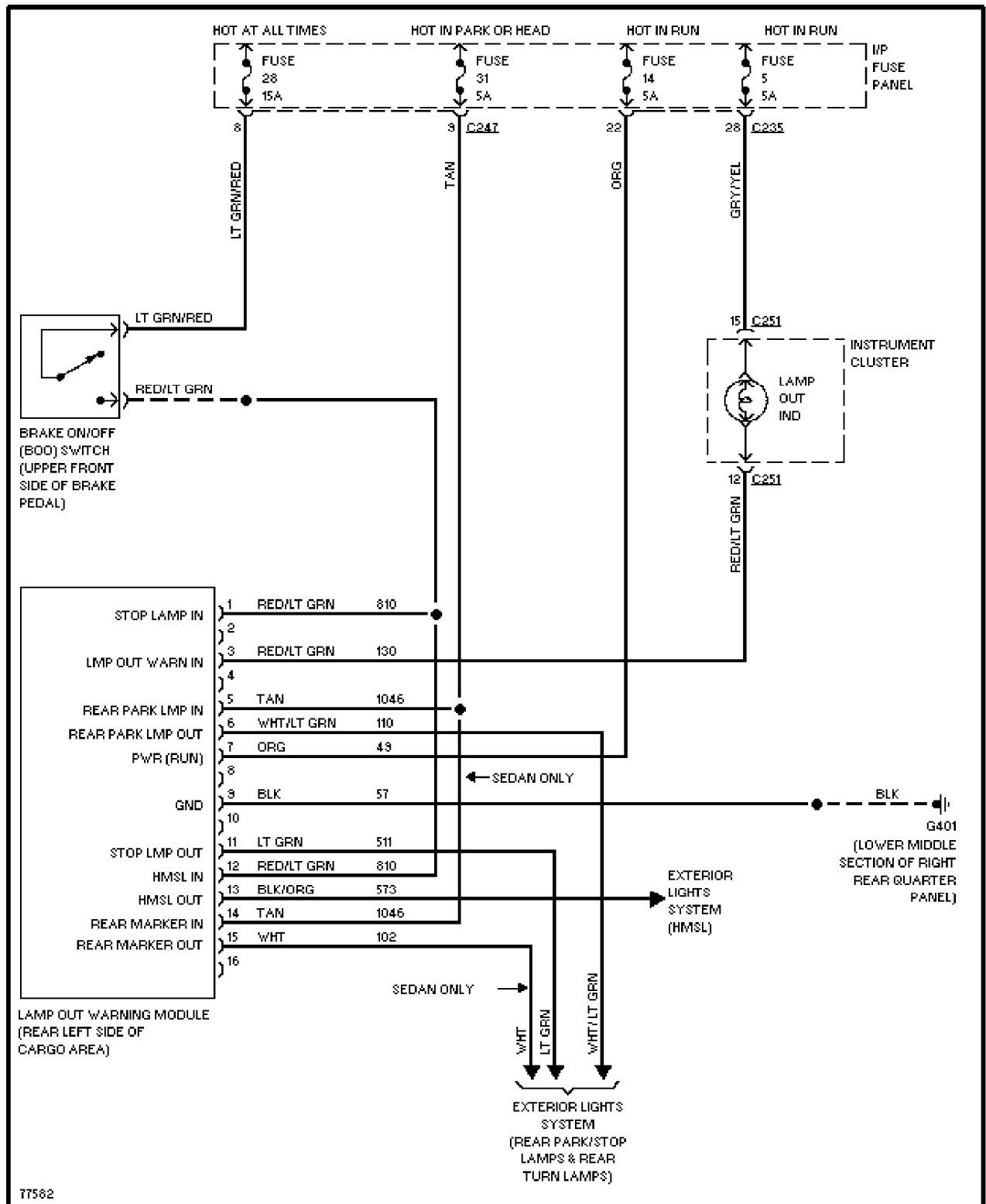
Selected Block (p. 4)

1996 Ford Taurus

For <http://www.mitchell.narod.ru/>

Copyright © 1997 Mitchell International

Friday, March 02, 2001 09:13PM



Lamp Monitor Circuit

SYSTEM WIRING DIAGRAMS

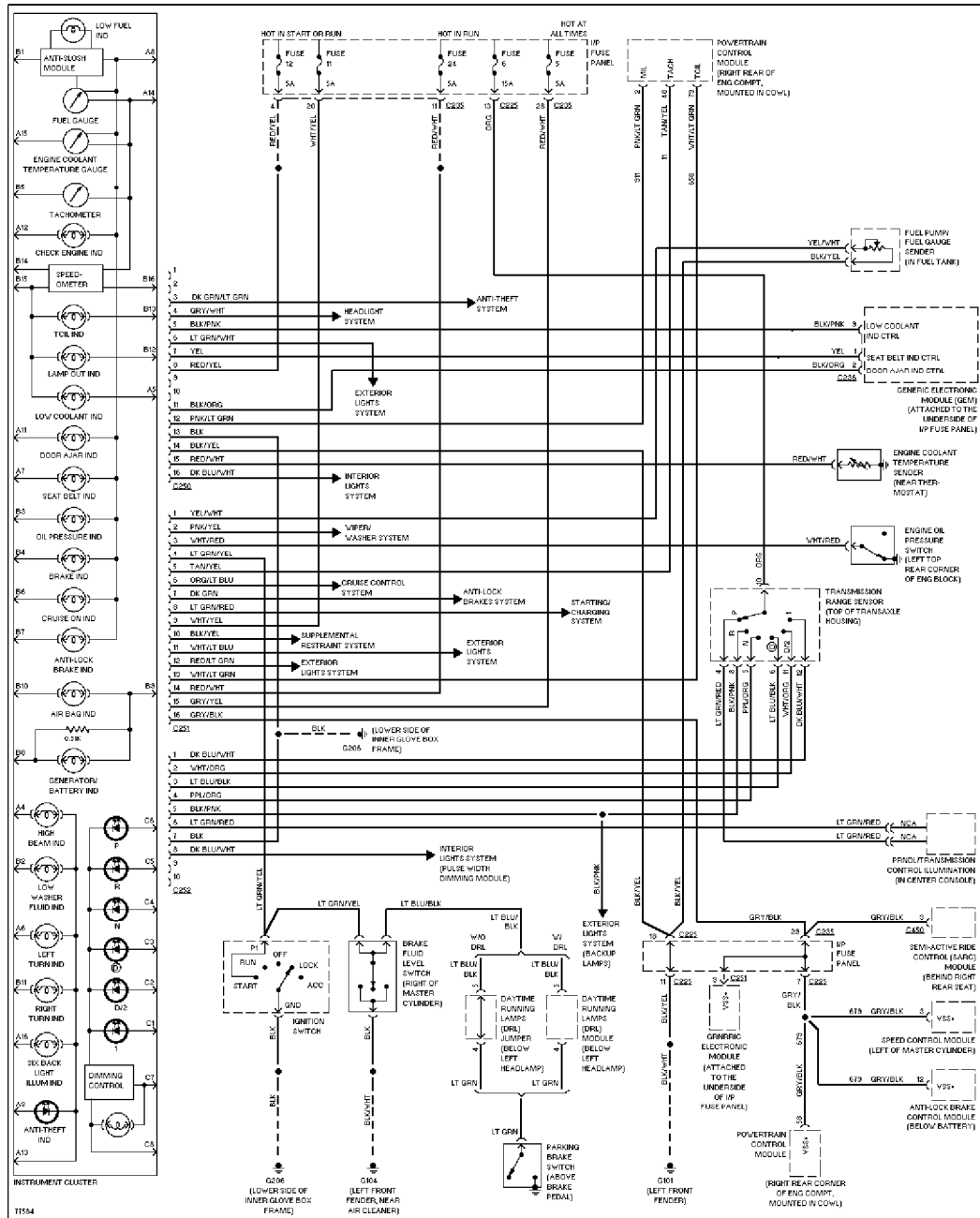
Selected Block (p. 5)

1996 Ford Taurus

For <http://www.mitchell.narod.ru/>

Copyright © 1997 Mitchell International

Friday, March 02, 2001 09:13PM



3.4L SHO, Instrument Cluster Circuit

SYSTEM WIRING DIAGRAMS

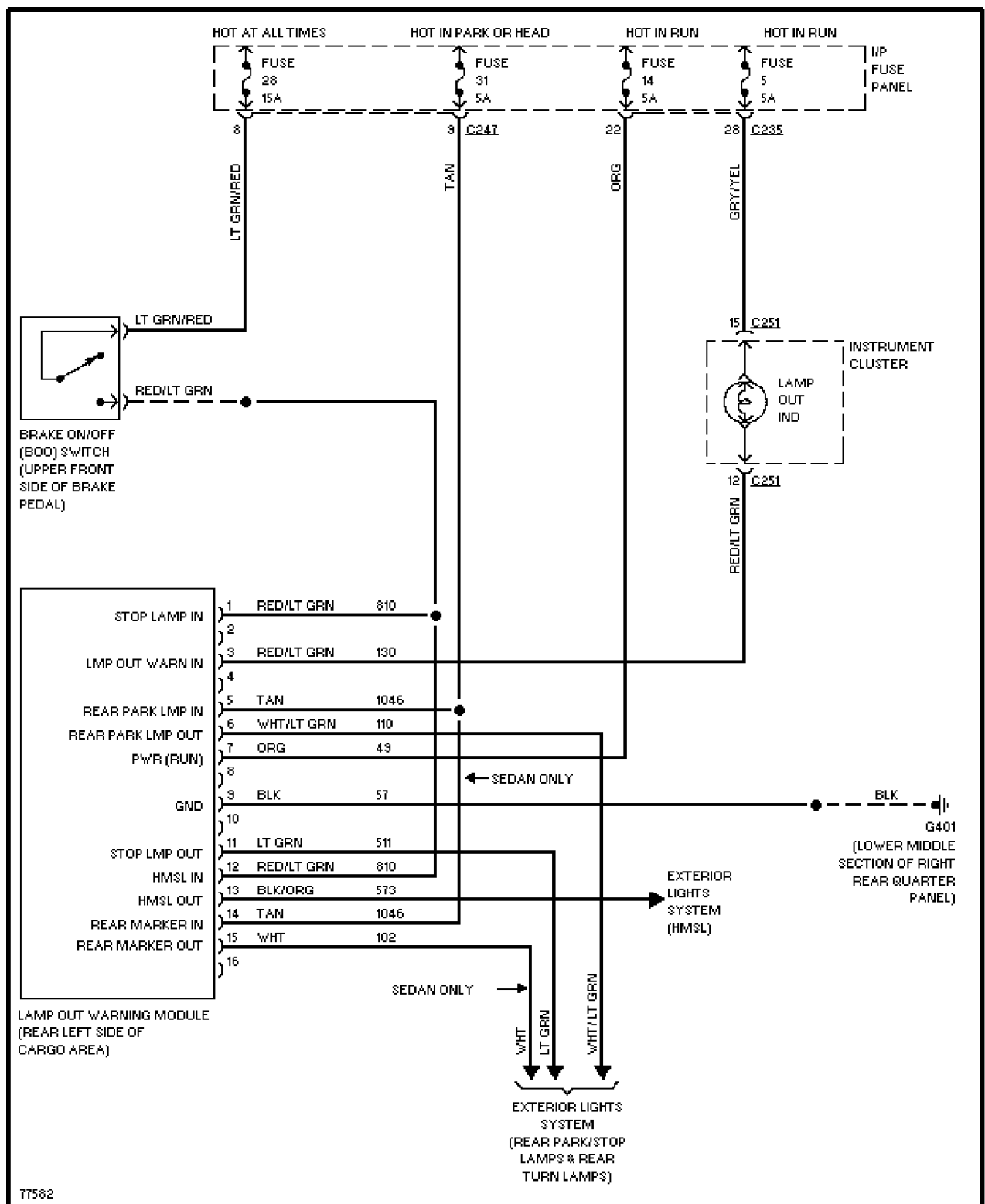
Selected Block (p. 6)

1996 Ford Taurus

For <http://www.mitchell.narod.ru/>

Copyright © 1997 Mitchell International

Friday, March 02, 2001 09:13PM



Lamp Monitor Circuit