

# SYSTEM WIRING DIAGRAMS

## Selected Block

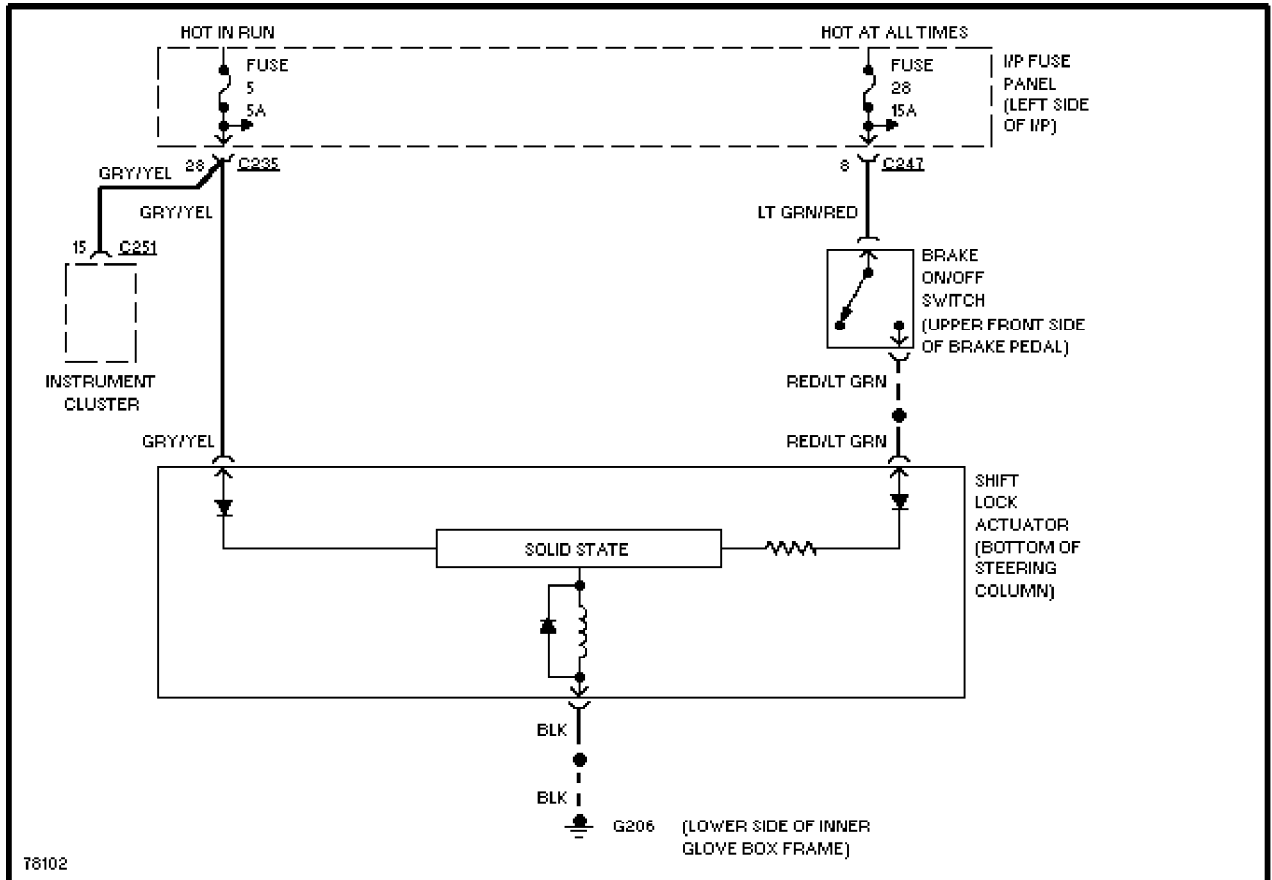
1996 Ford Taurus

For <http://www.mitchell.narod.ru/>

Copyright © 1997 Mitchell International

Friday, March 02, 2001 09:13PM

### SHIFT INTERLOCKS



Shift Interlock Circuit

### STARTING/CHARGING

3.0L

# SYSTEM WIRING DIAGRAMS

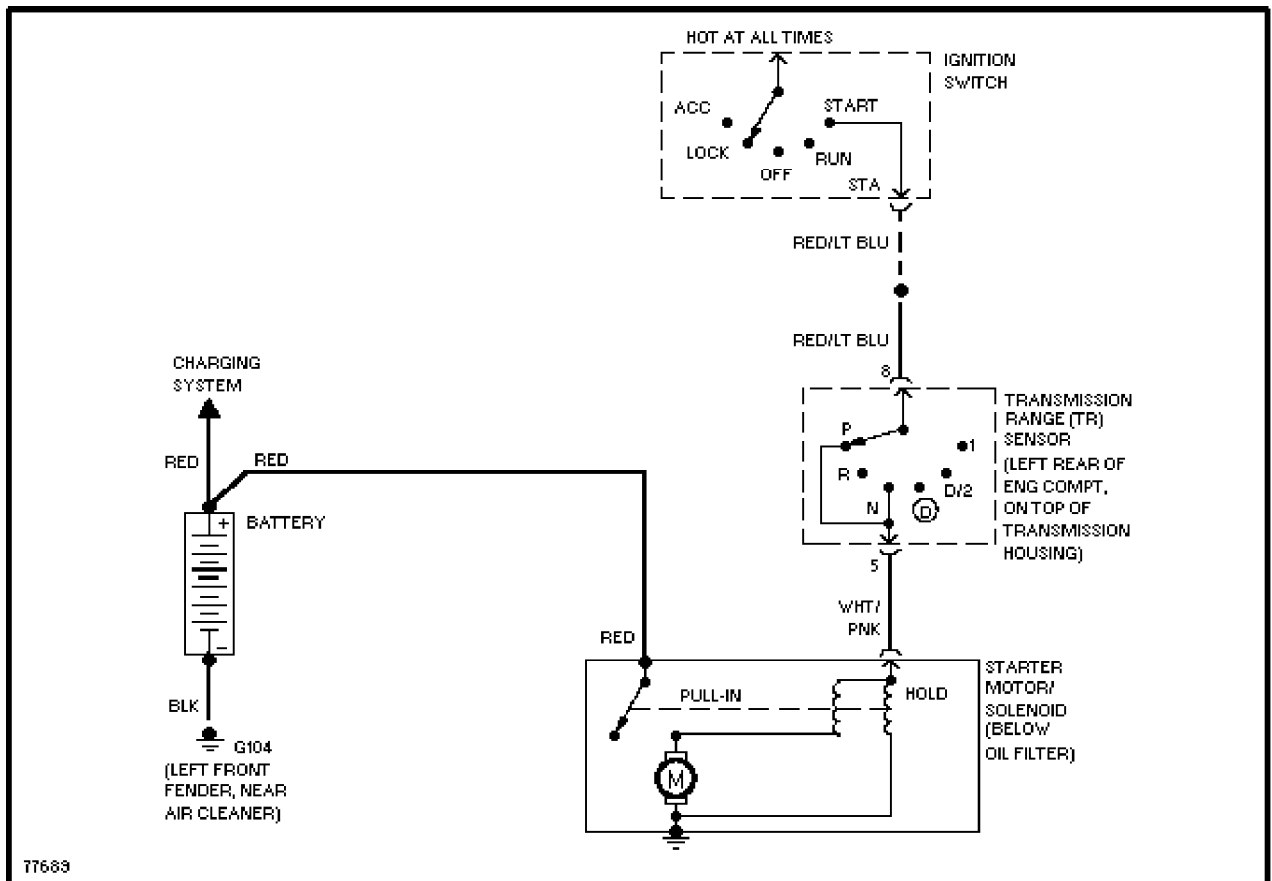
## Selected Block (p. 2)

1996 Ford Taurus

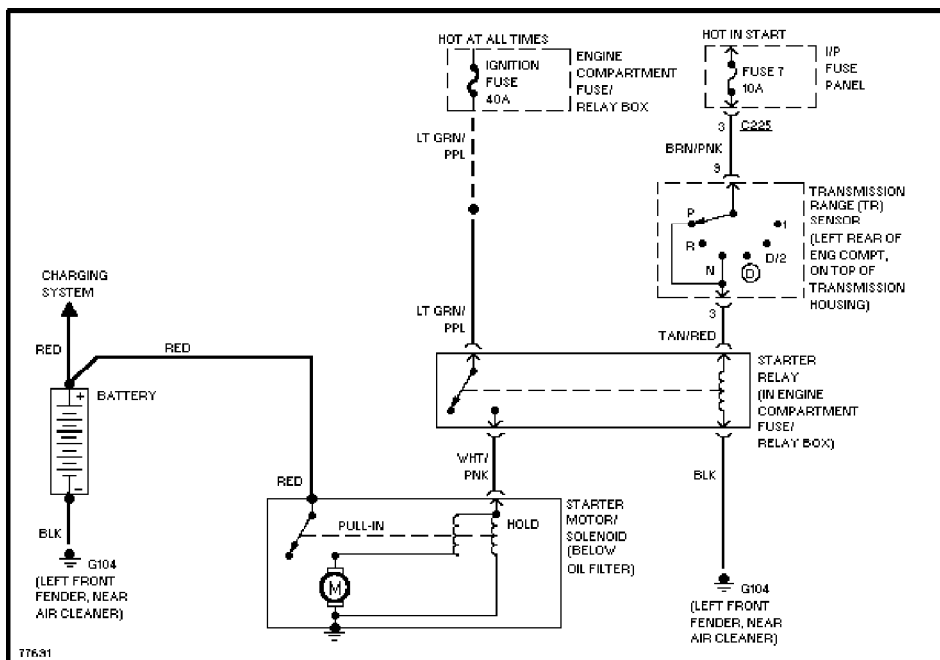
For <http://www.mitchell.narod.ru/>

Copyright © 1997 Mitchell International

Friday, March 02, 2001 09:13PM



3.0L 12-Valve, Starting Circuit



3.0L 24-Valve, Starting Circuit

# SYSTEM WIRING DIAGRAMS

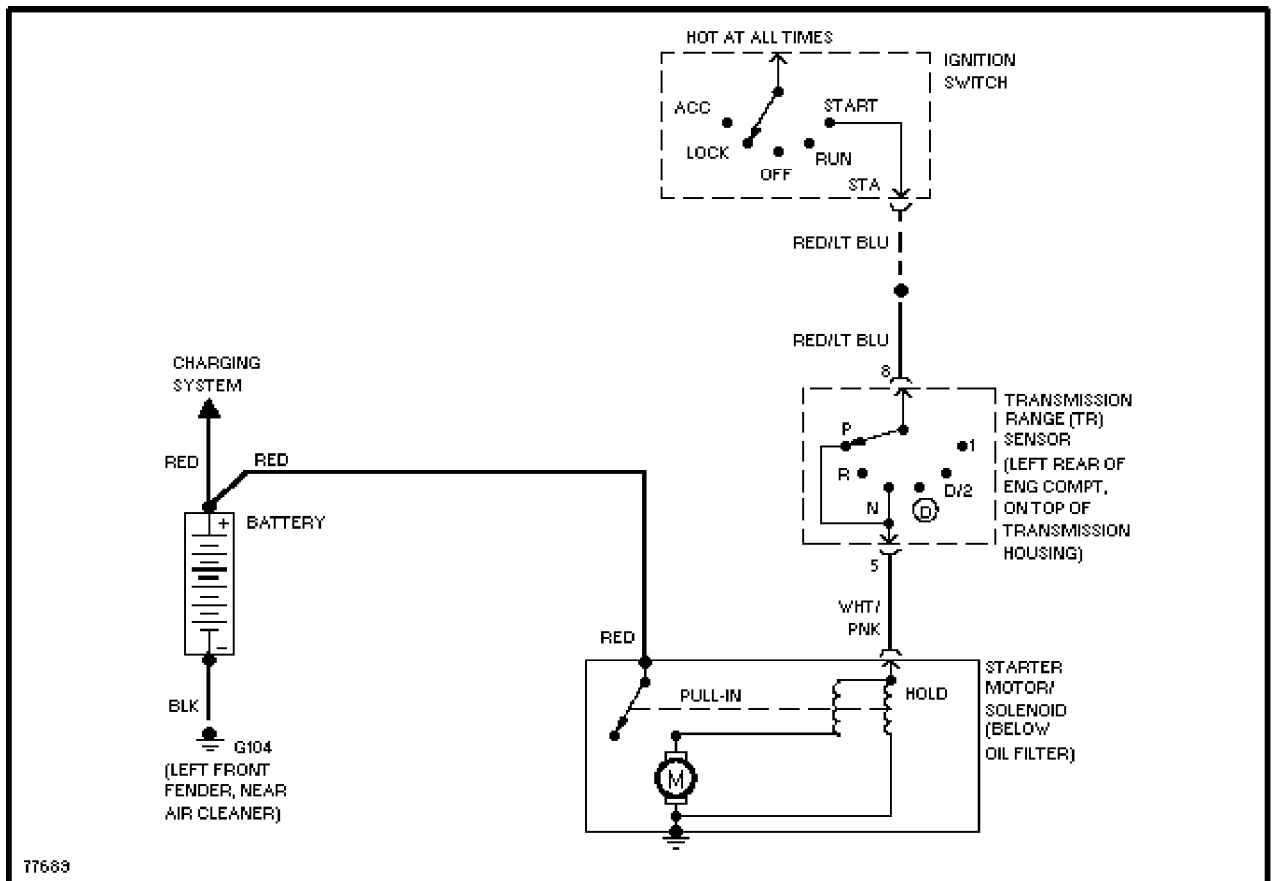
## Selected Block (p. 3)

1996 Ford Taurus

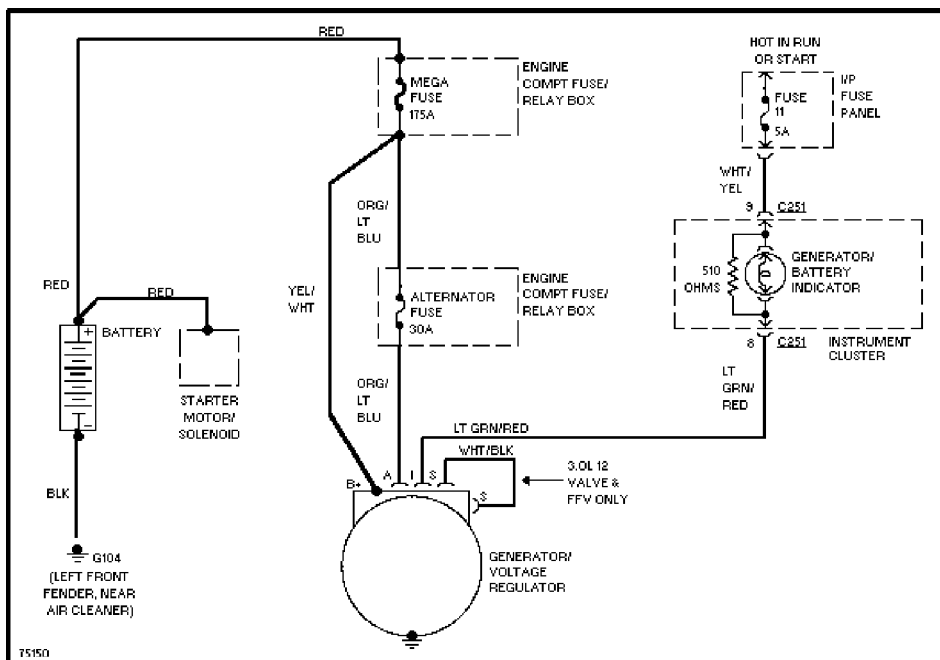
For <http://www.mitchell.narod.ru/>

Copyright © 1997 Mitchell International

Friday, March 02, 2001 09:13PM



3.0L Flex Fuel, Starting Circuit



Charging Circuit

# SYSTEM WIRING DIAGRAMS

## Selected Block (p. 4)

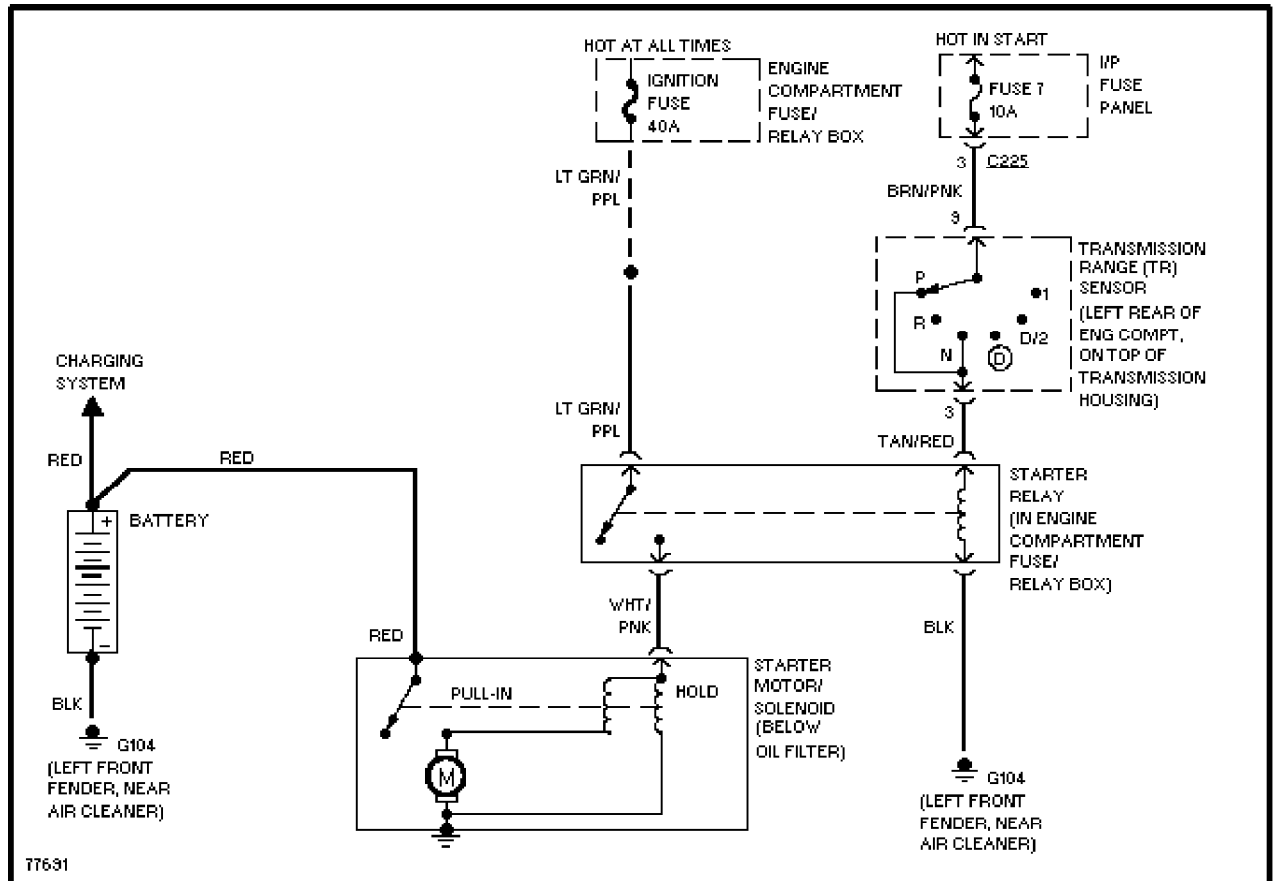
1996 Ford Taurus

For <http://www.mitchell.narod.ru/>

Copyright © 1997 Mitchell International

Friday, March 02, 2001 09:13PM

3.4L



3.4L SHO, Starting Circuit

# SYSTEM WIRING DIAGRAMS

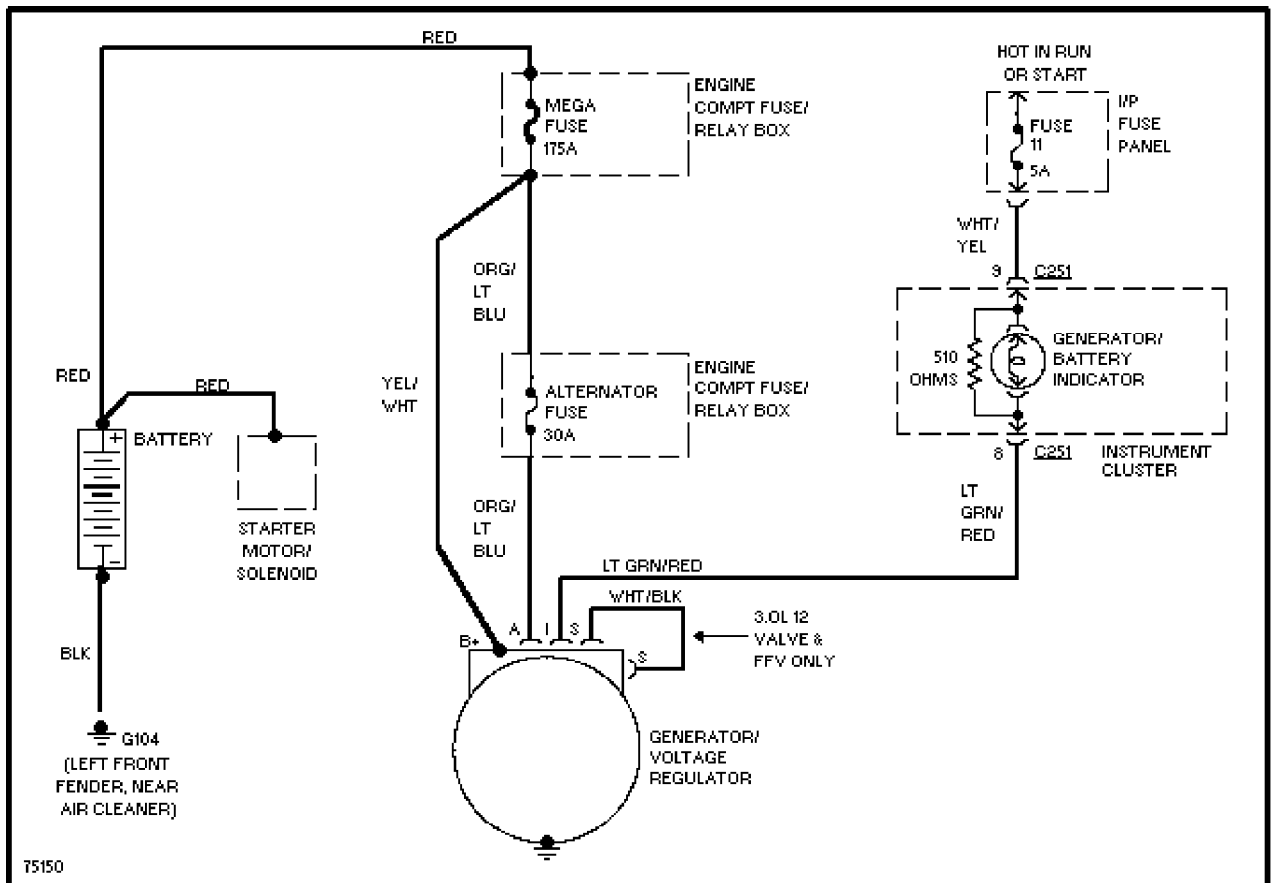
## Selected Block (p. 5)

1996 Ford Taurus

For <http://www.mitchell.narod.ru/>

Copyright © 1997 Mitchell International

Friday, March 02, 2001 09:13PM



Charging Circuit