

SYSTEM WIRING DIAGRAMS

Selected Block

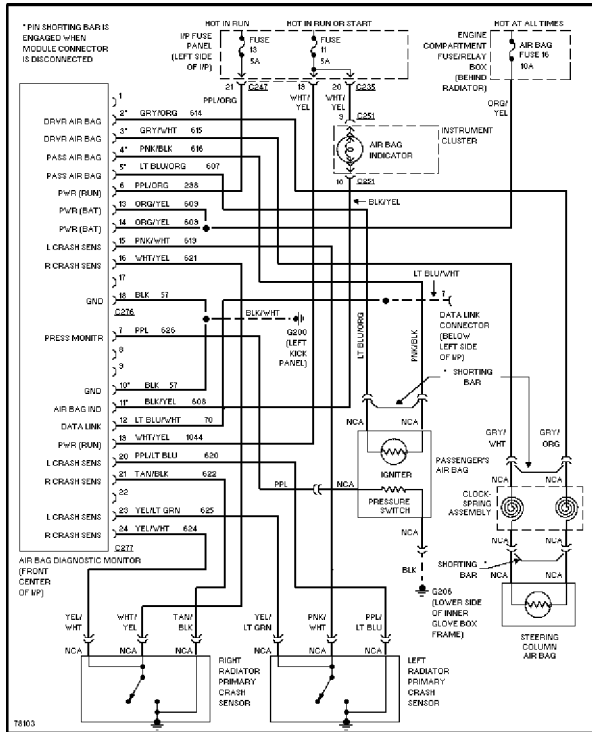
1996 Ford Taurus

For <http://www.mitchell.narod.ru/>

Copyright © 1997 Mitchell International

Friday, March 02, 2001 09:14PM

SUPPLEMENTAL RESTRAINTS



Supplemental Restraint Circuit

TRANSMISSION

3.0L

SYSTEM WIRING DIAGRAMS

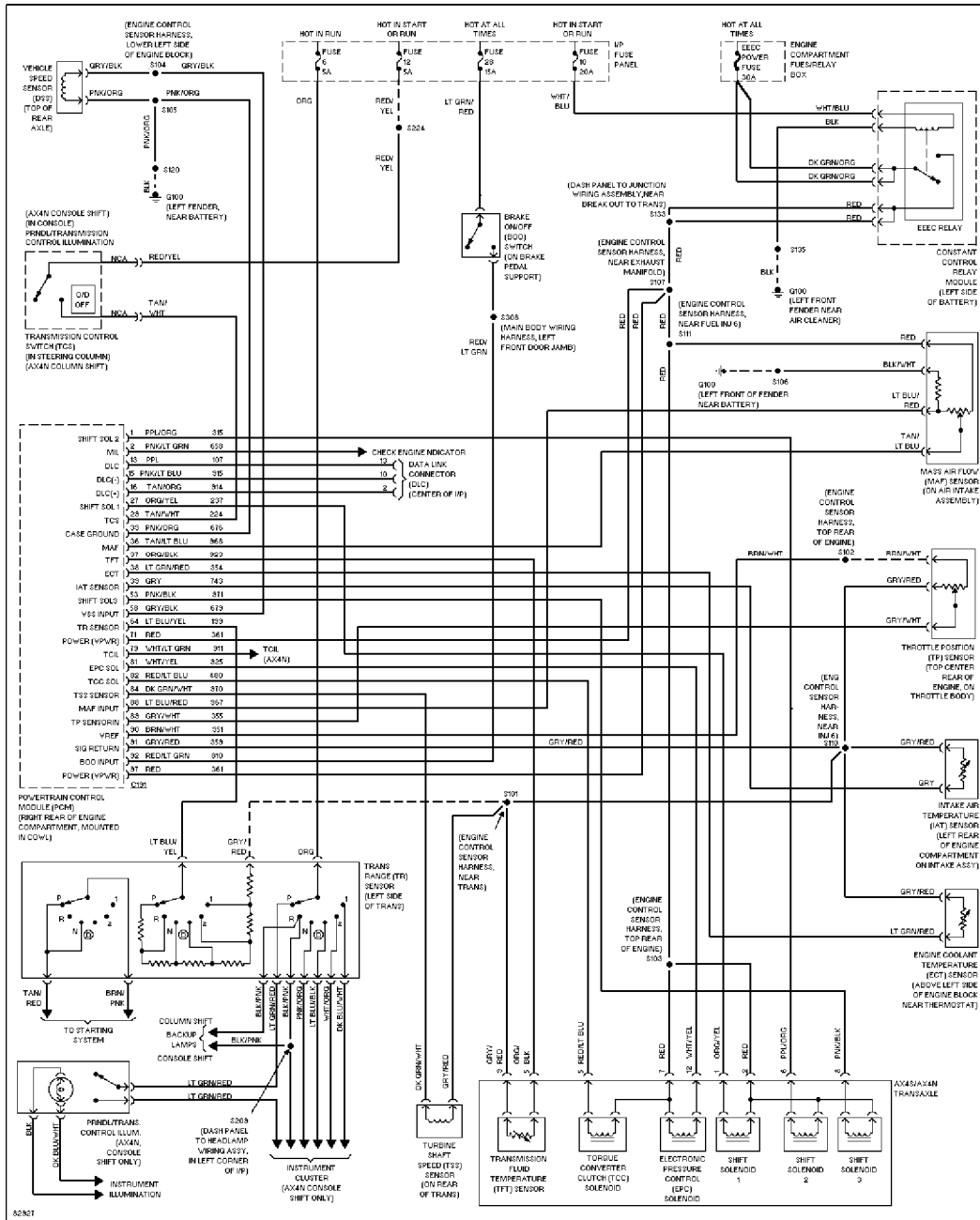
Selected Block (p. 2)

1996 Ford Taurus

For <http://www.mitchell.narod.ru/>

Copyright © 1997 Mitchell International

Friday, March 02, 2001 09:14PM



3.0L 12-Valve, Transmission Circuit

SYSTEM WIRING DIAGRAMS

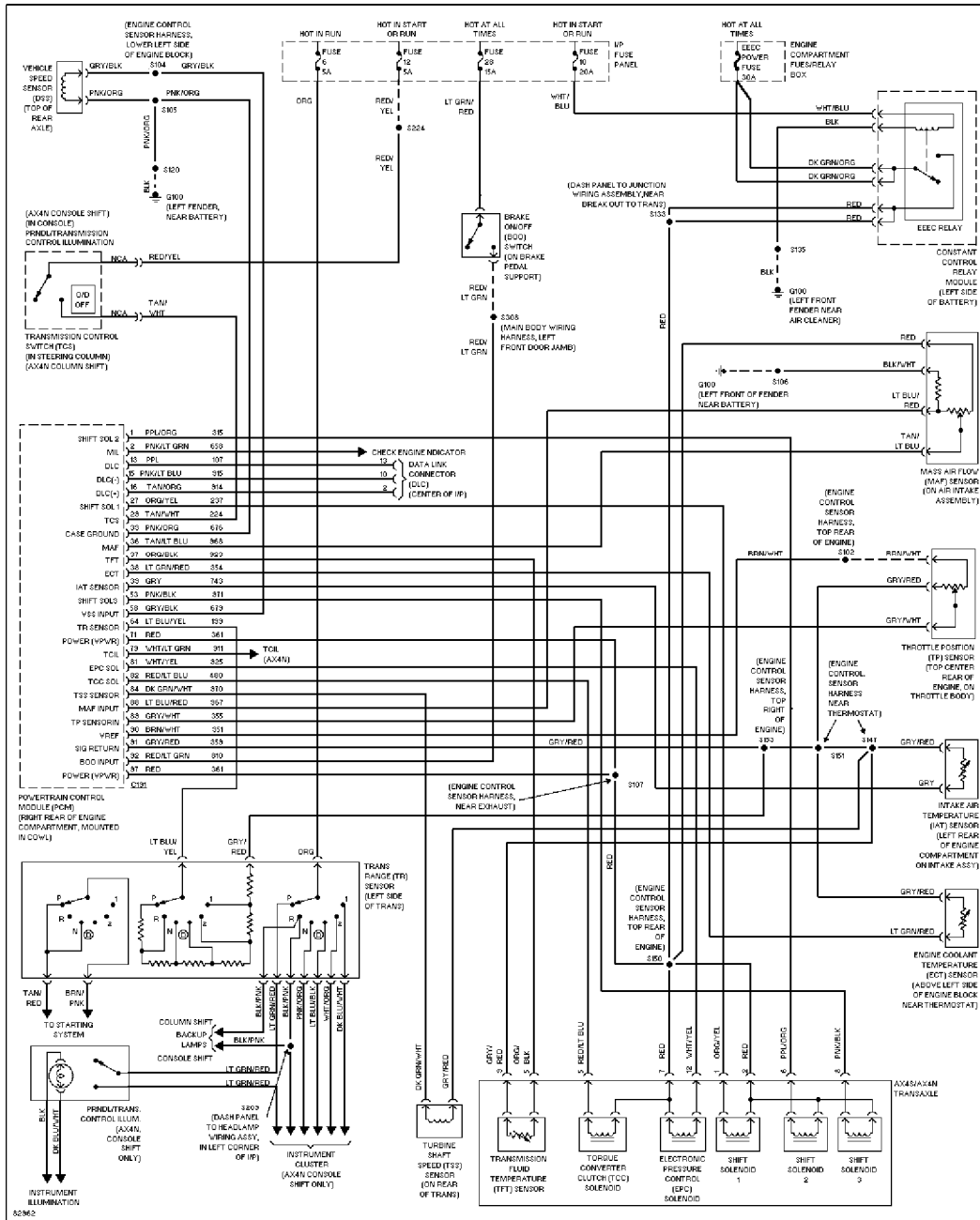
Selected Block (p. 3)

1996 Ford Taurus

For <http://www.mitchell.narod.ru/>

Copyright © 1997 Mitchell International

Friday, March 02, 2001 09:14PM



3.0L 24-Valve, Transmission Circuit

SYSTEM WIRING DIAGRAMS

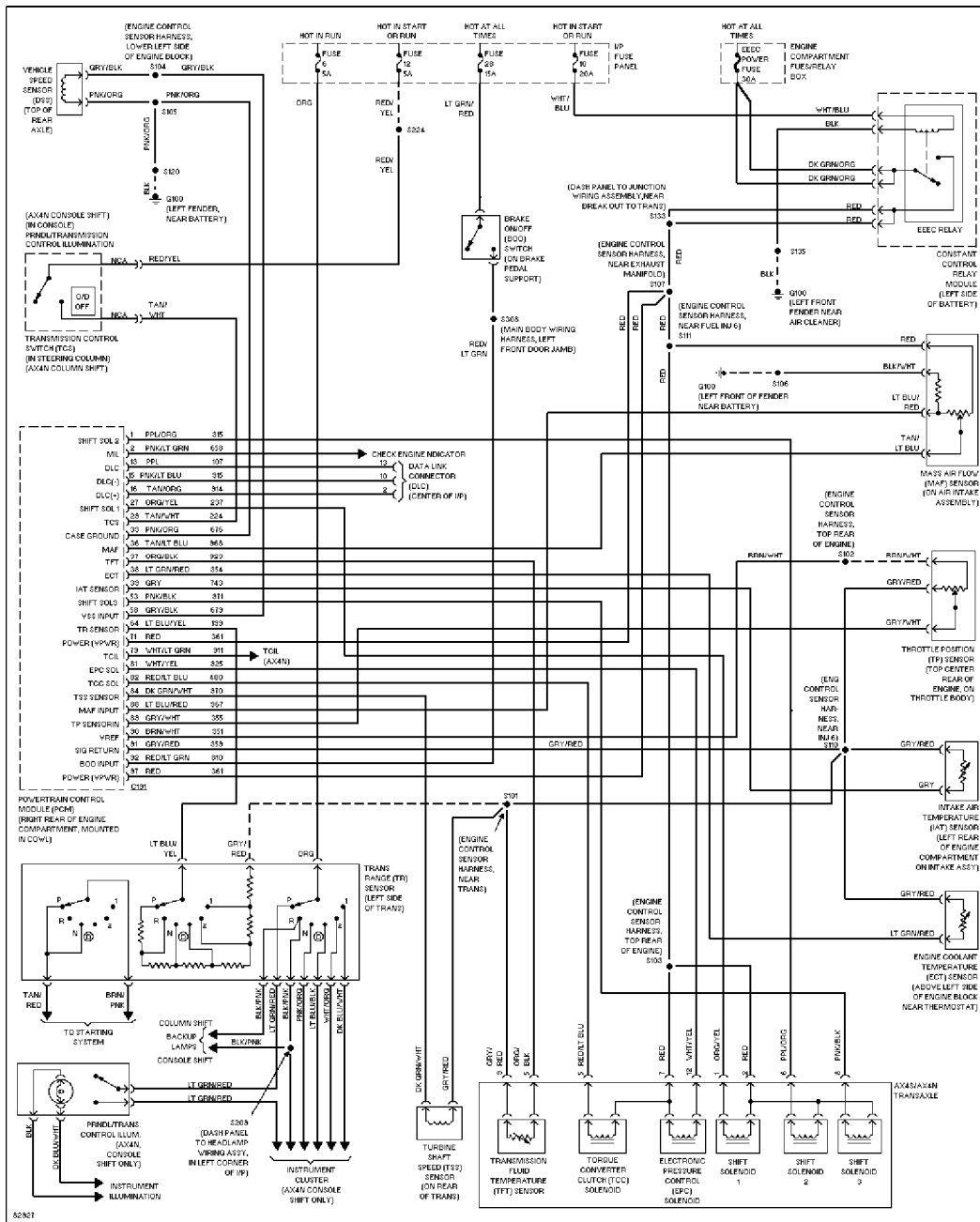
Selected Block (p. 4)

1996 Ford Taurus

For <http://www.mitchell.narod.ru/>

Copyright © 1997 Mitchell International

Friday, March 02, 2001 09:14PM



3.0L Flex Fuel, Transmission Circuit

3.4L

SYSTEM WIRING DIAGRAMS

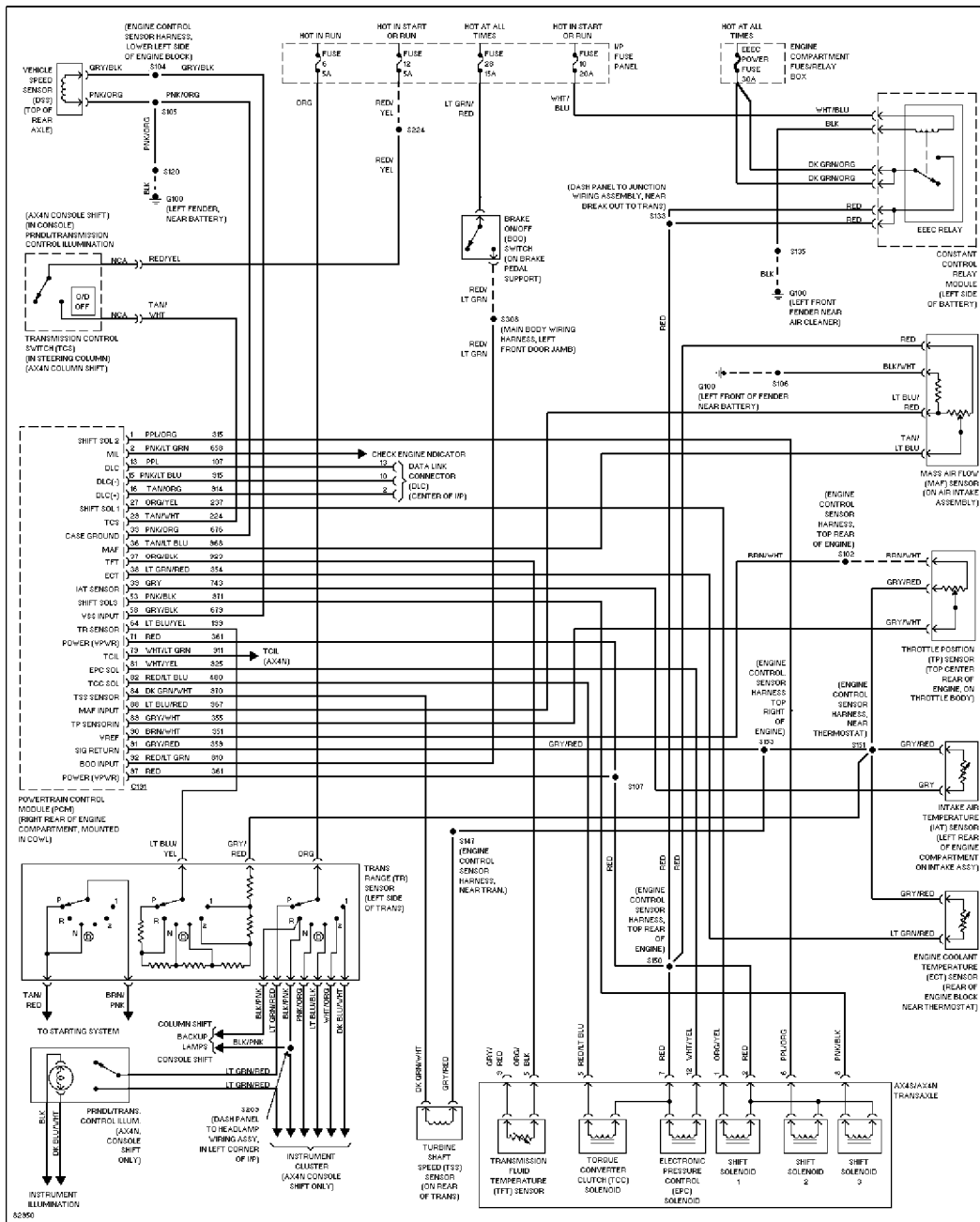
Selected Block (p. 5)

1996 Ford Taurus

For <http://www.mitchell.narod.ru/>

Copyright © 1997 Mitchell International

Friday, March 02, 2001 09:14PM



3.4L SHO, Transmission Circuit