

# SYSTEM WIRING DIAGRAMS

## Selected Block

1997 Ford Taurus

For <http://www.mitchell.narod.ru/>

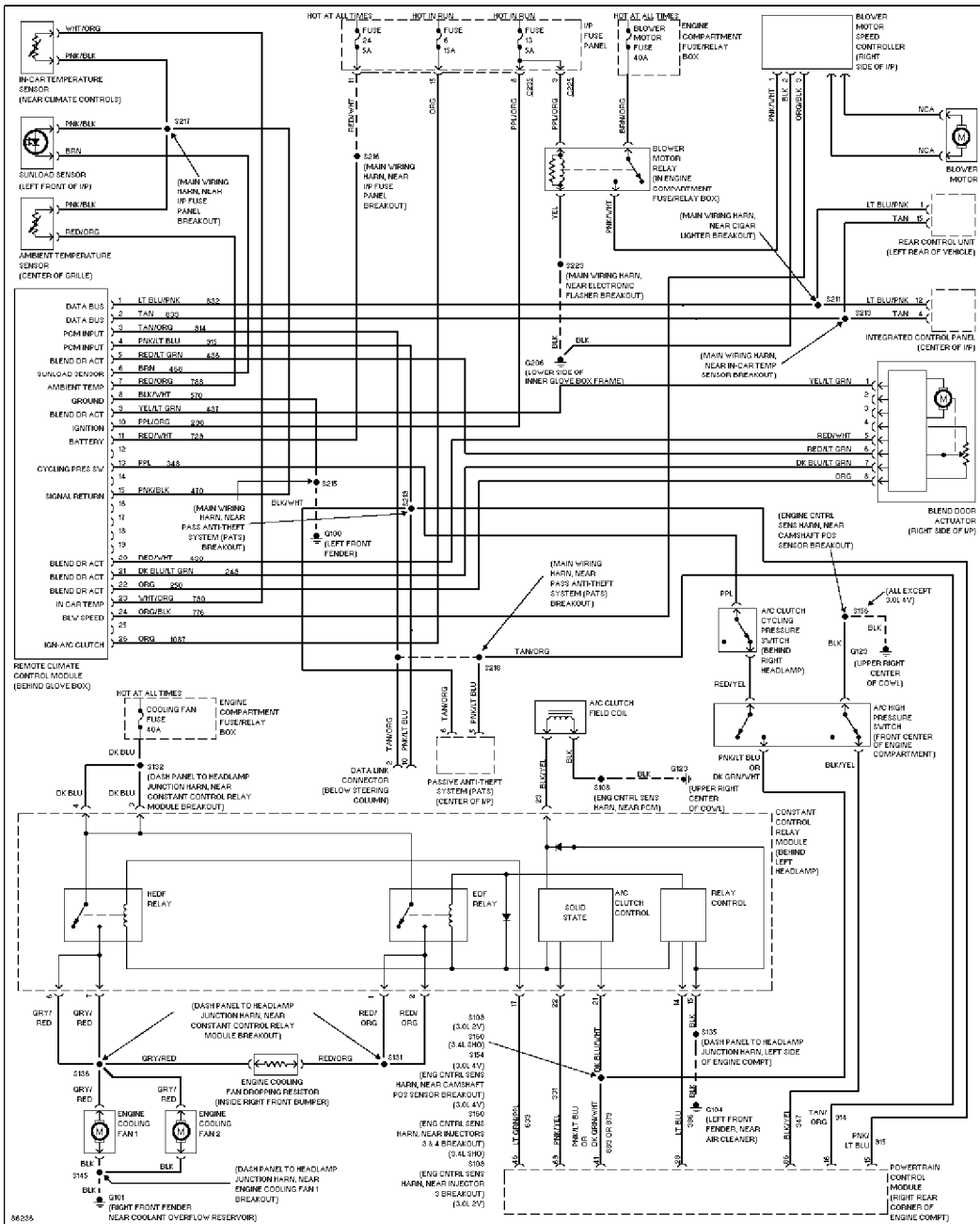
Copyright © 1997 Mitchell International

Friday, March 02, 2001 09:14PM

### ARTICLE BEGINNING

1997 System Wiring Diagrams  
Ford - Taurus

### AIR CONDITIONING



A/C Circuit, Auto A/C



# SYSTEM WIRING DIAGRAMS

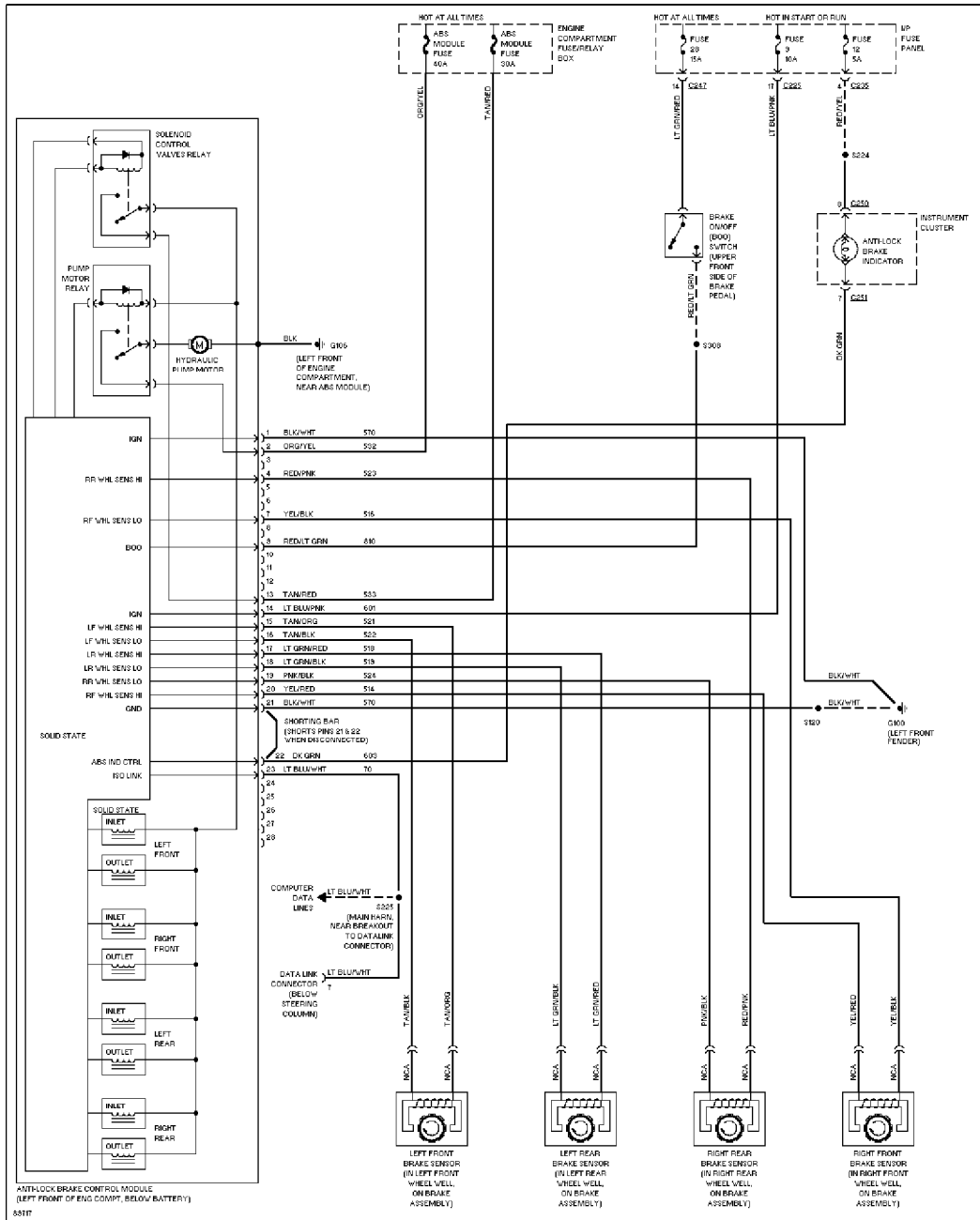
## Selected Block (p. 3)

1997 Ford Taurus

For <http://www.mitchell.narod.ru/>

Copyright © 1997 Mitchell International

Friday, March 02, 2001 09:14PM



Anti-lock Brake Circuits

### ANTI-THEFT

