

SYSTEM WIRING DIAGRAMS

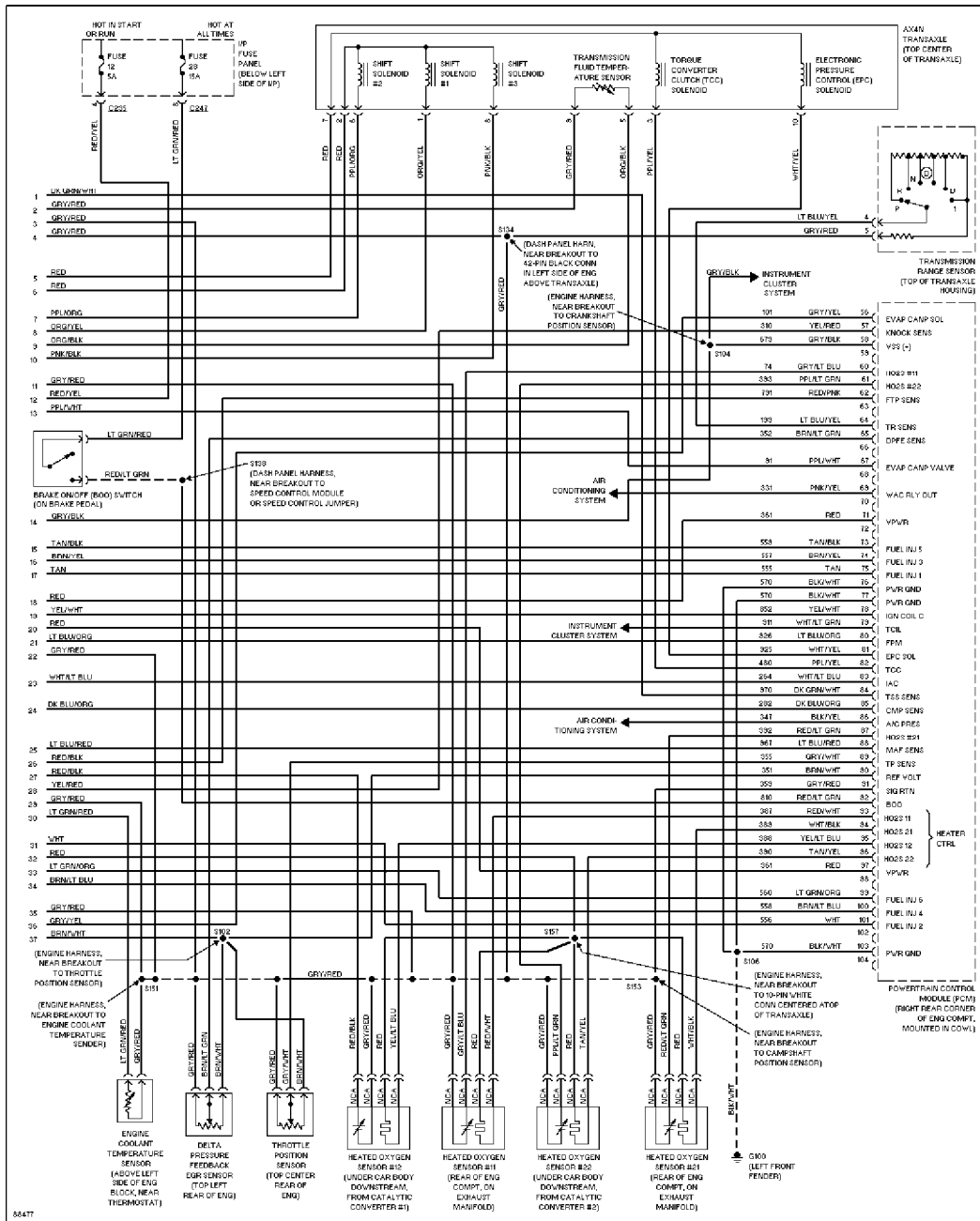
Selected Block

1997 Ford Taurus

For <http://www.mitchell.narod.ru/>

Copyright © 1997 Mitchell International

Friday, March 02, 2001 09:15PM



3.0L 24-Valve, Engine Performance Circuits (3 of 3)

SYSTEM WIRING DIAGRAMS

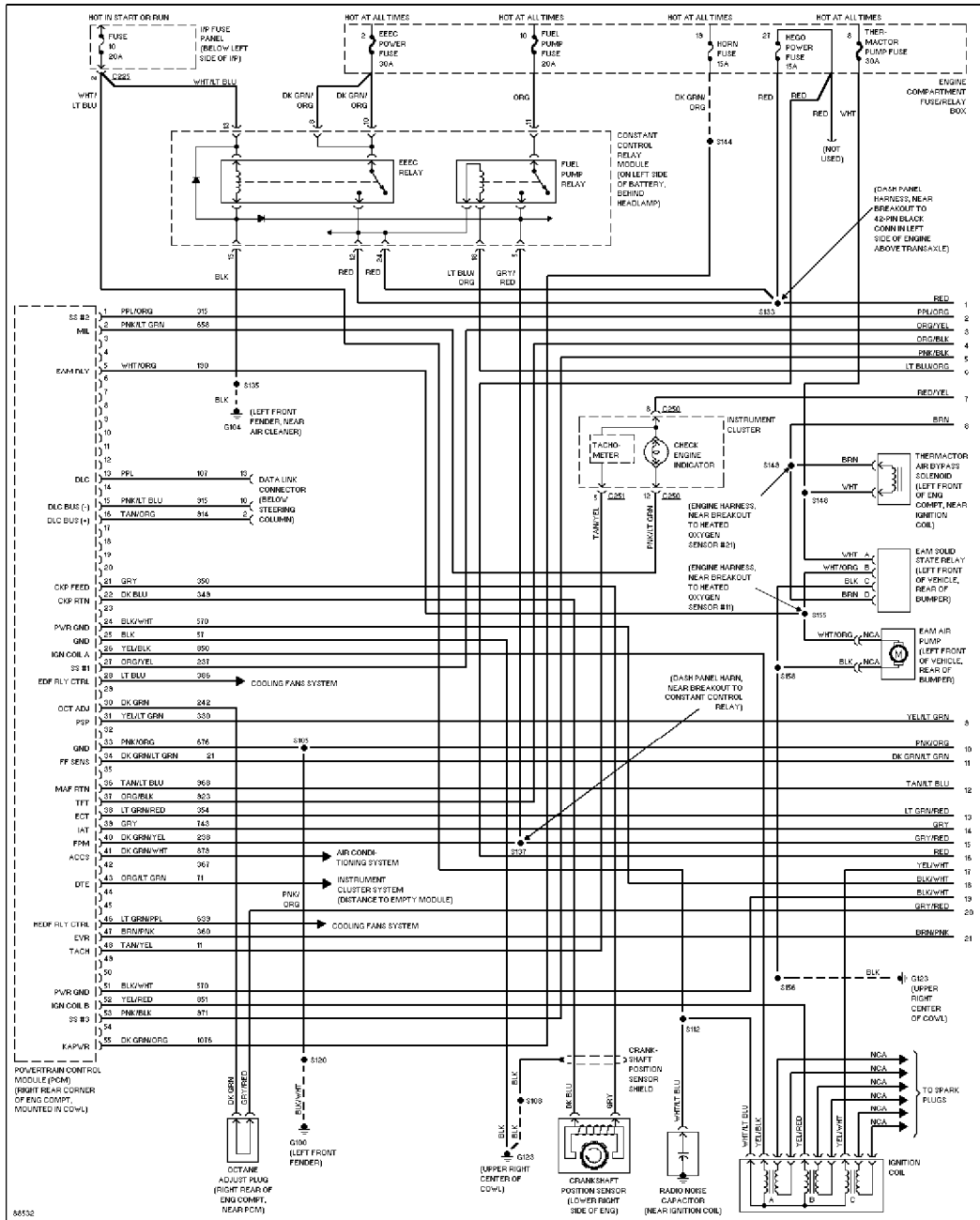
Selected Block (p. 2)

1997 Ford Taurus

For <http://www.mitchell.narod.ru/>

Copyright © 1997 Mitchell International

Friday, March 02, 2001 09:15PM



3.0L Flex Fuel, Engine Performance Circuits (1 of 3)

SYSTEM WIRING DIAGRAMS

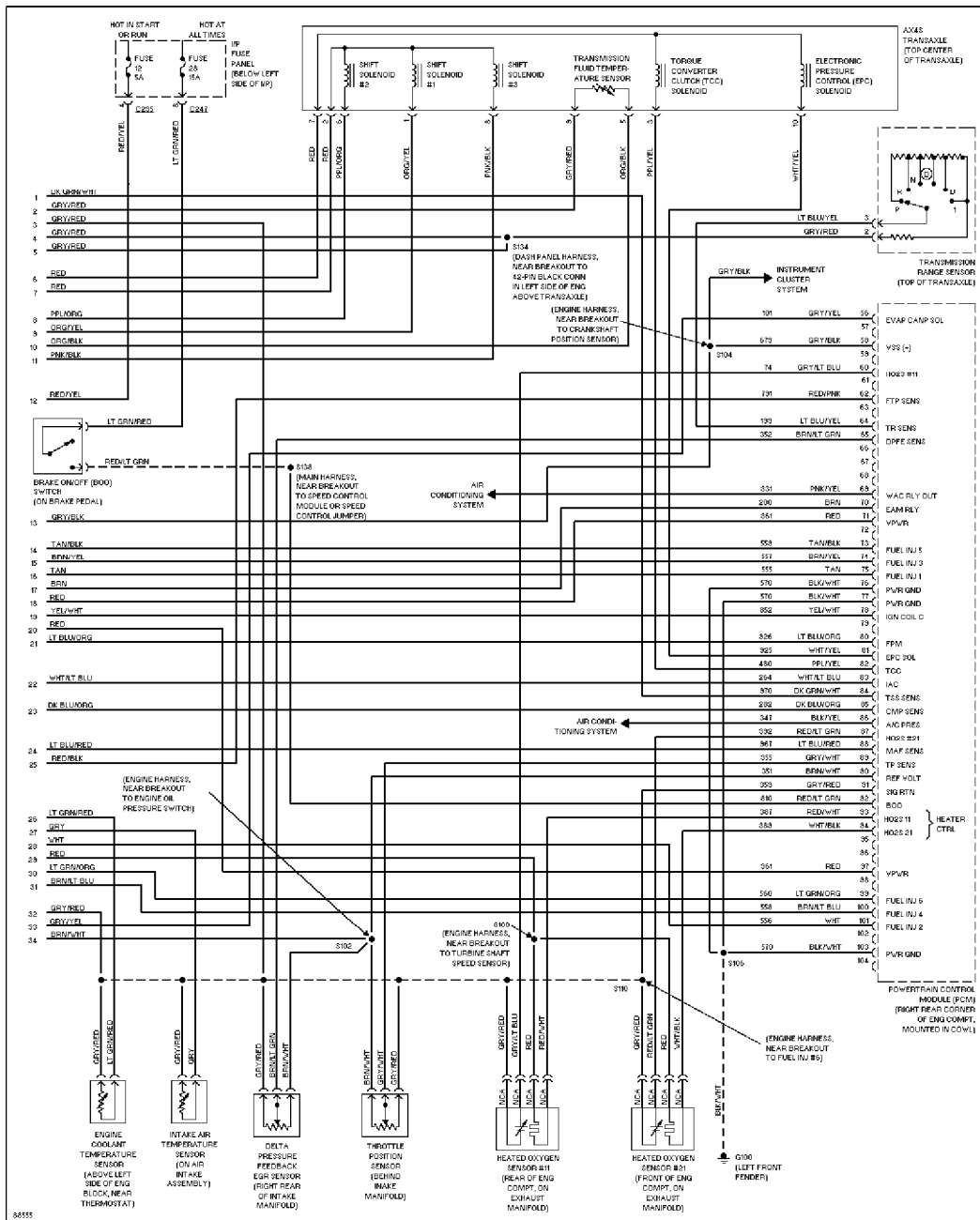
Selected Block (p. 4)

1997 Ford Taurus

For <http://www.mitchell.narod.ru/>

Copyright © 1997 Mitchell International

Friday, March 02, 2001 09:15PM



3.0L Flex Fuel, Engine Performance Circuits (3 of 3)