

# SYSTEM WIRING DIAGRAMS

## Selected Block

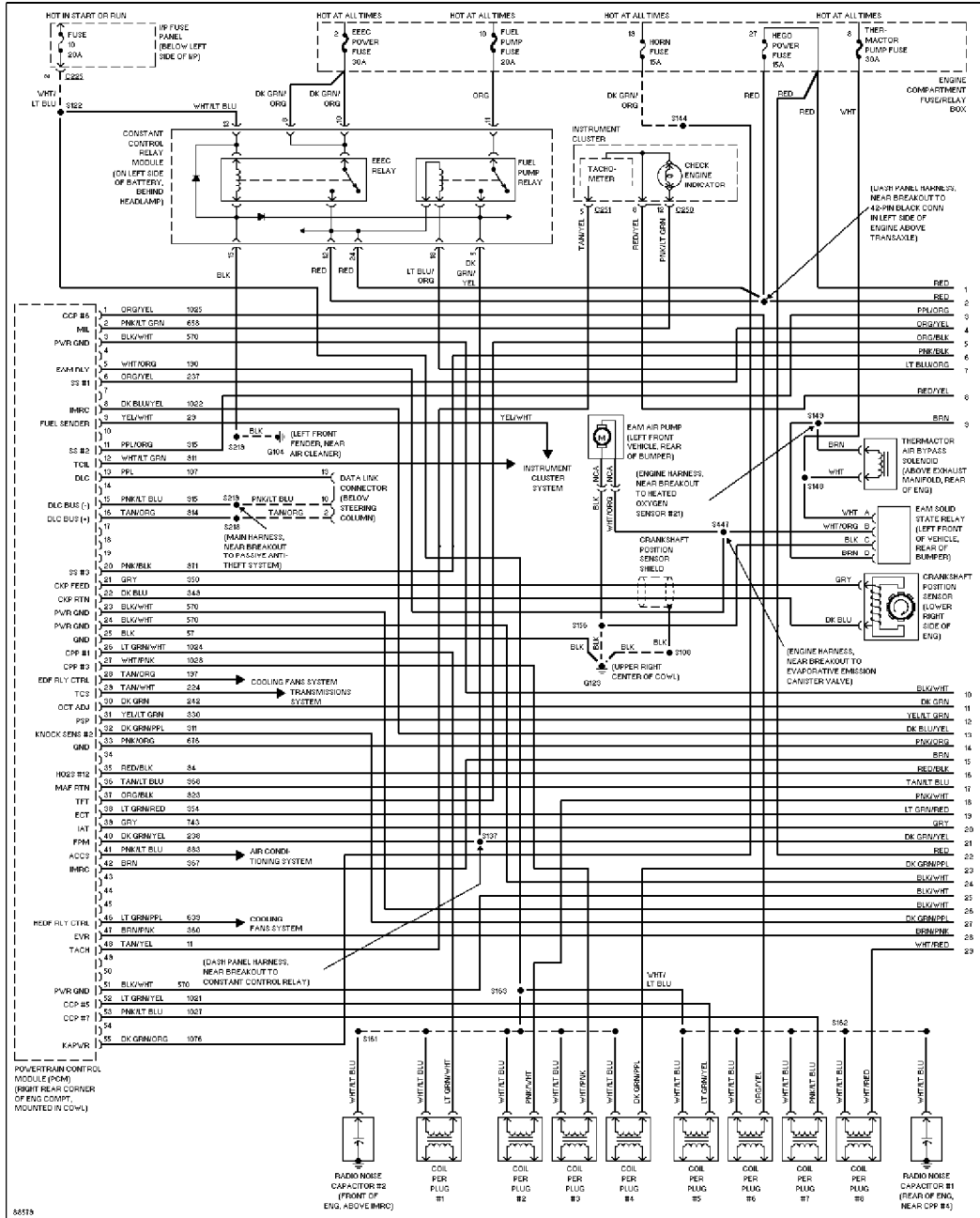
1997 Ford Taurus

For <http://www.mitchell.narod.ru/>

Copyright © 1997 Mitchell International

Friday, March 02, 2001 09:15PM

3.4L



3.4L SHO, Engine Performance Circuits (1 of 3)

# SYSTEM WIRING DIAGRAMS

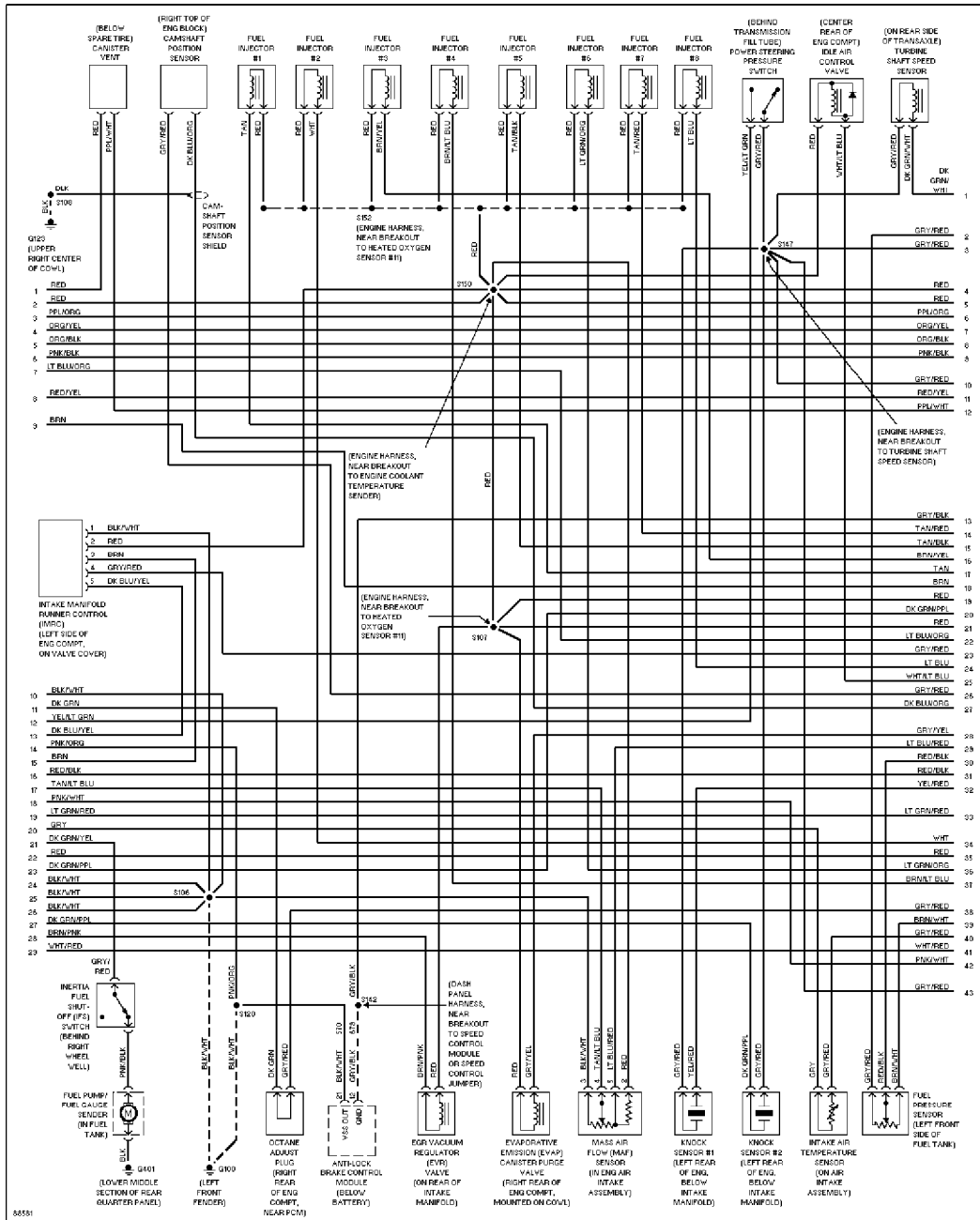
## Selected Block (p. 2)

1997 Ford Taurus

For <http://www.mitchell.narod.ru/>

Copyright © 1997 Mitchell International

Friday, March 02, 2001 09:15PM



3.4L SHO, Engine Performance Circuits (2 of 3)

# SYSTEM WIRING DIAGRAMS

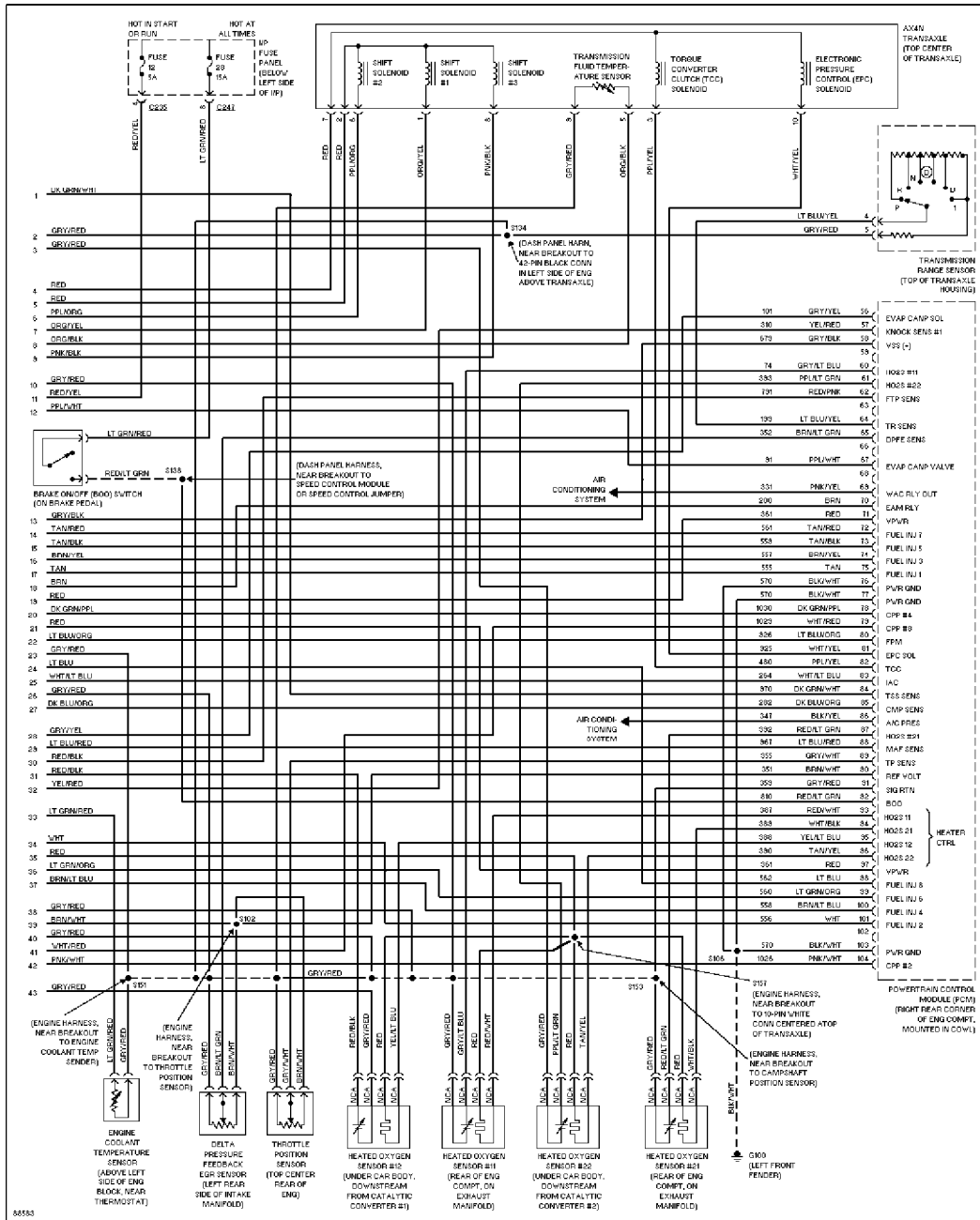
## Selected Block (p. 3)

1997 Ford Taurus

For <http://www.mitchell.narod.ru/>

Copyright © 1997 Mitchell International

Friday, March 02, 2001 09:15PM



3.4L SHO, Engine Performance Circuits (3 of 3)